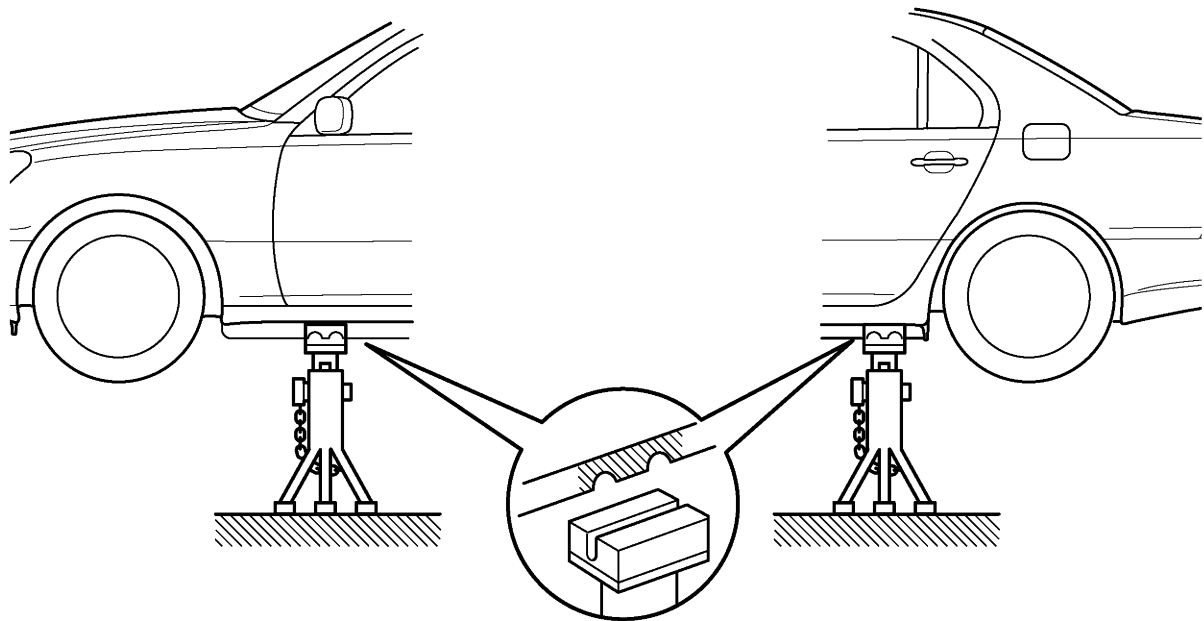
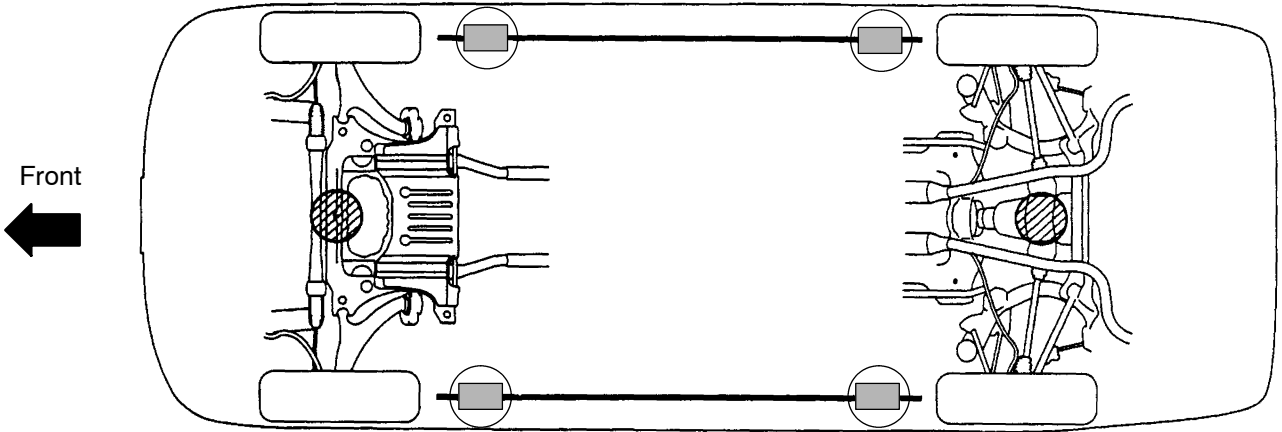


# VEHICLE LIFT AND SUPPORT LOCATIONS



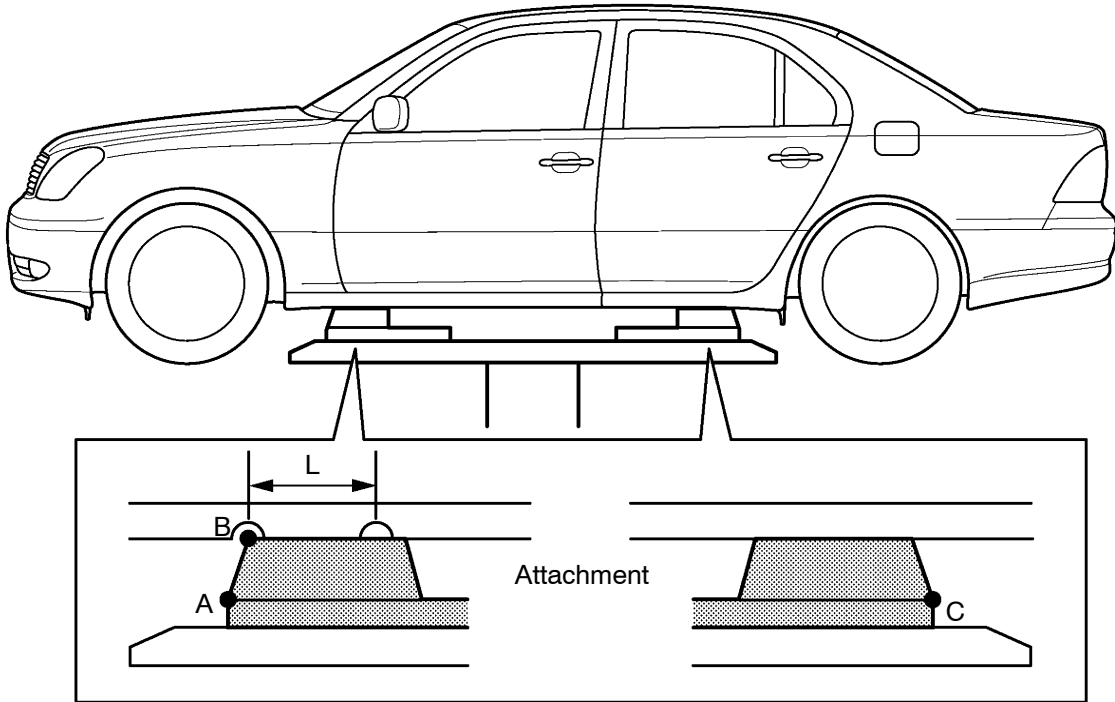
**JACK POSITION** \_\_\_\_\_ ●  
 Front - - - - - Front Crossmember  
 Rear - - - - - Rear differential carrier

**CAUTION: Before jacking-up the front and rear, make sure the vehicle is not carrying and extra wight.**

**PANTOGRAPH JACK POSITION** \_\_\_\_\_ ○

**SUPPORT POSITION** \_\_\_\_\_ ■  
 Safety stand and swing arm type lift

**Plate type lift:**



**HINT:**

Left and right set position  
 Front and rear set position

Place the vehicle over the center of the lift.

- Align the cushion gum ends of the plate with the attachment lower ends (A, C).
- Align the attachment upper end (B) with the front jack supporting point (L).

**Attachment dimensions**

