

## SRS Warning Light Circuit Malfunction

### CIRCUIT DESCRIPTION

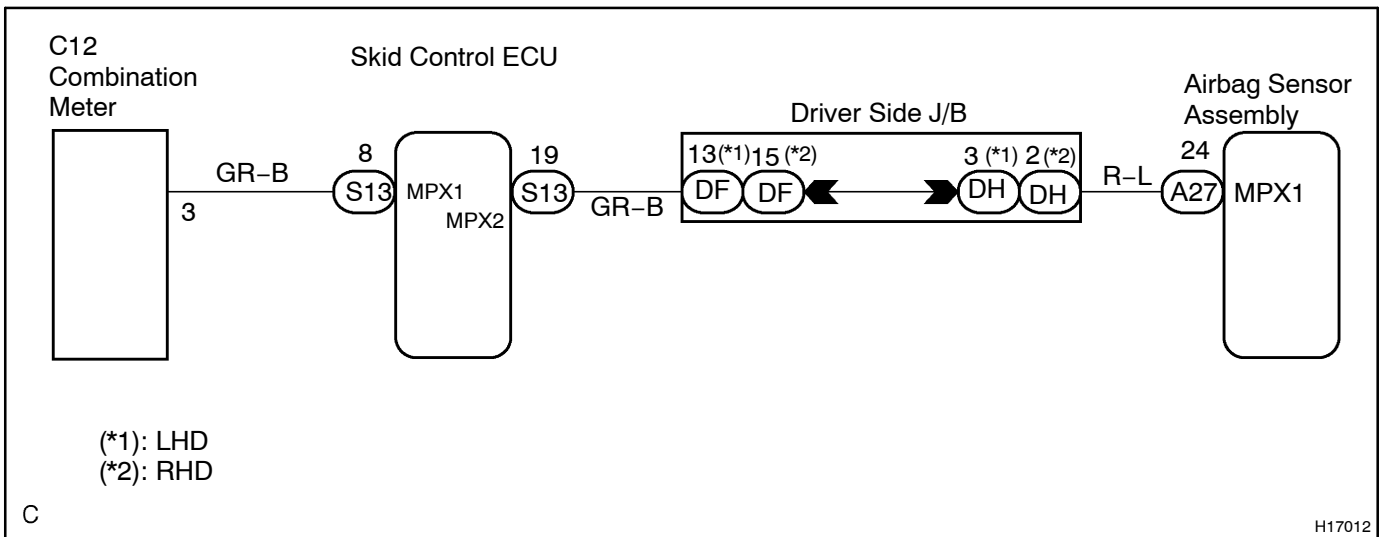
The SRS warning light is located on the combination meter.

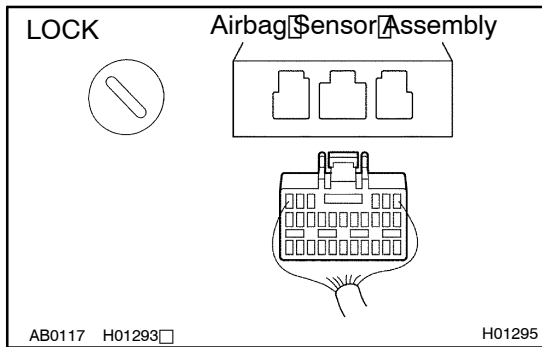
When the SRS is normal, the SRS warning light lights up for approx. 6 seconds after the ignition switch is turned from the LOCK position to ON position, and then turns off automatically.

If there is a malfunction in the SRS, the SRS warning light lights up to inform the driver of the abnormality. When terminals Tc and CG of the DLC3 are connected, the DTC is displayed by blinking the SRS warning light.

The signal to make the SRS warning light light up is transmitted from the airbag sensor assembly to the combination meter through multiplex communication system.

### WIRING DIAGRAM



**INSPECTION PROCEDURE****Always lights up, when ignition switch is in LOCK position****1 Prepare for inspection (See step 1 on page DI-82).****2 Does SRS warning light turn off?****PREPARATION:**

- Turn the ignition switch to LOCK.
- Disconnect negative (-) terminal cable from the battery, and wait at least for 90 seconds.
- Disconnect the airbag sensor assembly connector.
- Connect negative (-) terminal cable to the battery.

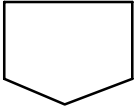
**CHECK:**

Check operation of SRS warning light.

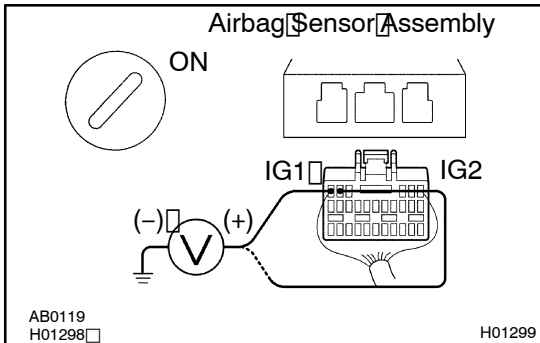
**NO****Check combination meter (See Pub. No. RM792E on page BE-14).****YES****Replace airbag sensor assembly.**

**Does not light up, when ignition switch is turned to ON**

1 Check combination meter (See Pub. No. RM792E on page BE-14).



2 Check source voltage.

**PREPARATION:**

- (a) Connect negative (-) terminal cable to the battery.
- (b) Deactivate the LEXUS Link system (See page DI-1).

**CHECK:**

- (a) Turn the ignition switch ON.
- (b) Measure the voltage between body ground and each of IG1 and IG2 on the sensor.

**OK:**

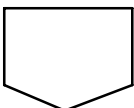
**Voltage: 10 - 14V**

**NG**

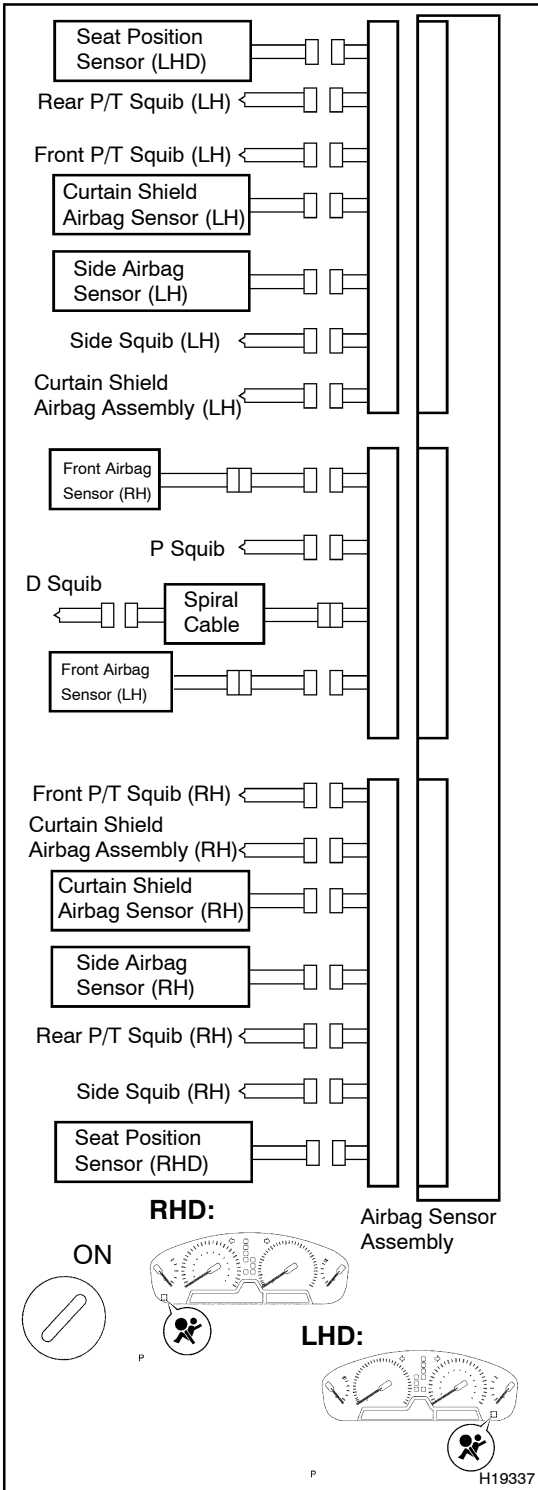
**Check harness between battery and airbag sensor assembly, and check battery and charging system.**

**OK**

3 Prepare for inspection (See step 1 on page DI-82).



**4 Does SRS warning light come on?**



**PREPARATION:**

- (a) Disconnect negative (-) terminal cable from the battery.
- (b) Connect the airbag sensor assembly connector.
- (c) Connect negative (-) terminal cable to the battery, and wait at least for 2 seconds.
- (d) Turn the ignition switch to ON.

**CHECK:**

Check operation of the SRS warning light.

**NO** Replace airbag sensor assembly.

**YES**

**From the results of the above inspection, the malfunctioning part can now be considered normal. To make sure of this, use simulation method to check.**