

<b>DTC</b>	<b>B1181/18</b>	<b>Open in D Squib (2nd step) Circuit</b>
------------	-----------------	---

## CIRCUIT DESCRIPTION

The D Squib (2nd step) circuit consists of the airbag sensor assembly, spiral cable and steering wheel pad. It causes the airbag to deploy when the airbag deployment conditions are satisfied.

For details of the function of each component, see OPERATION on page RS-3.

DTC B1181/18 is recorded when an open is detected in the D Squib (2nd step) circuit.

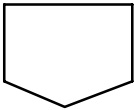
DTC No.	DTC Detecting Condition	Trouble Area
B1181/18	<ul style="list-style-type: none"> <li>Open circuit in D2+ wire harness or D2- wire harness of squib</li> <li>D Squib (2nd step) malfunction</li> <li>Spiral cable malfunction</li> <li>Airbag sensor assembly malfunction</li> </ul>	<ul style="list-style-type: none"> <li>Steering wheel pad (D Squib (2nd step))</li> <li>Spiral cable</li> <li>Airbag sensor assembly</li> <li>Wire harness</li> </ul>

## WIRING DIAGRAM

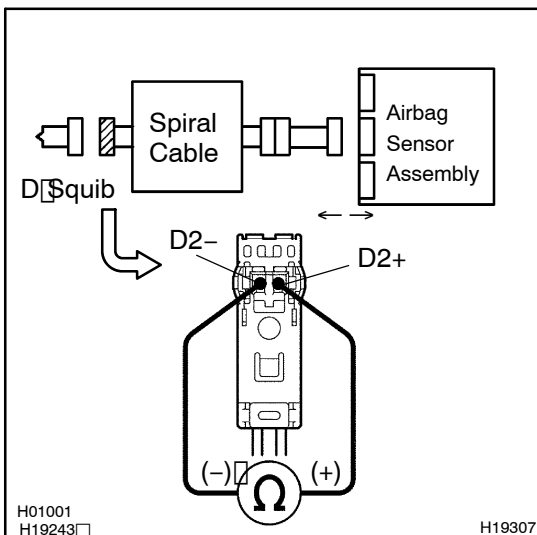
See page DI-65.

## INSPECTION PROCEDURE

1	Prepare for inspection (See step 1 on page DI-82).
---	--



2	Check D squib (2nd step) circuit.
---	-----------------------------------



### CHECK:

For the black connector (on the steering wheel pad side) between the steering wheel pad and airbag sensor assembly, measure the resistance between D2+ and D2-.

### OK:

**Resistance: Below 1  $\Omega$**

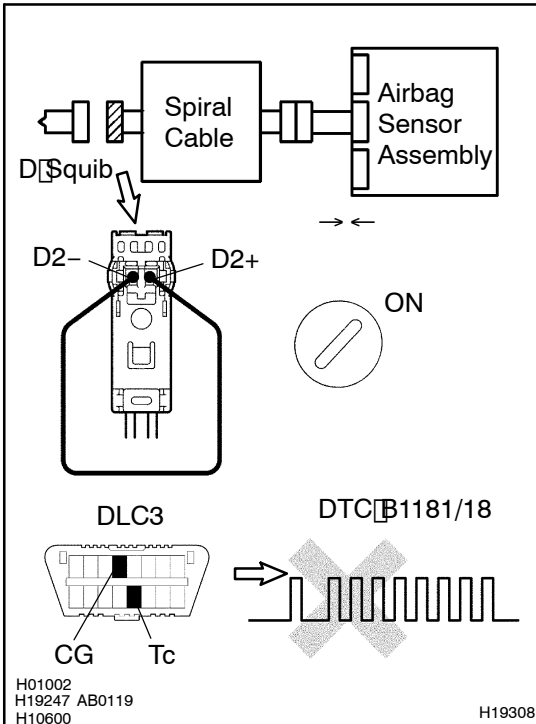
**NG**

**Go to step 5.**



**OK**

### 3 Check airbag sensor assembly.



#### PREPARATION:

- Connect the connector to the airbag sensor assembly.
- Using a service wire, connect D2+ and D2- of the black connector (on the spiral cable side) between the spiral cable and the steering wheel pad.
- Connect negative (-) terminal cable to the battery, and wait at least for 2 seconds.

#### CHECK:

- Turn the ignition switch to ON, and wait at least for 20 seconds.
- Clear the DTC stored in memory (See page DI-1).
- Turn the ignition switch to LOCK, and wait at least for 20 seconds.
- Turn the ignition switch to ON, and wait at least for 20 seconds.
- Check the DTC (See page DI-1).

#### OK:

**DTC B1181/18 is not output.**

#### HINT:

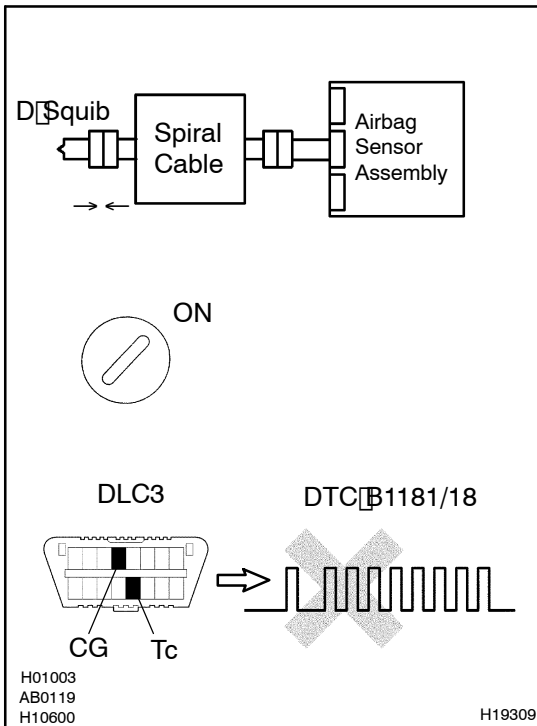
Codes other than code B1181/18 may be output at this time, but they are not relevant to this check.

**NG**

**Replace airbag sensor assembly.**

**OK**

## 4 Check D Squib (2nd step).



### PREPARATION:

- Turn the ignition switch to LOCK.
- Disconnect the negative (-) terminal cable from the battery, and wait at least for 90 seconds.
- Connect the steering wheel pad connector.
- Connect the negative (-) terminal cable to the battery, and wait at least for 2 seconds.

### CHECK:

- Turn the ignition switch to ON, and wait at least for 20 seconds.
- Clear the DTC stored in memory (See page DI-1).
- Turn the ignition switch to LOCK, and wait at least for 20 seconds.
- Turn the ignition switch to ON, and wait at least for 20 seconds.
- Check the DTC (See page DI-1).

### OK:

**DTC B1181/18 is not output.**

### HINT:

Codes other than code B1181/18 may be output at this time, but they are not relevant to this check.

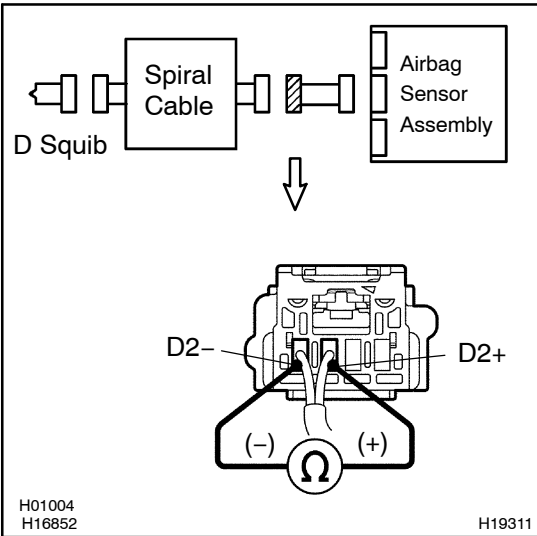
**NG**

**Replace steering wheel pad.**

**OK**

**From the results of the above inspection, the malfunctioning part can now be considered normal. To make sure of this, use the simulation method to check.**

**5 Check harness between airbag sensor assembly and spiral cable.**



**PREPARATION:**

Disconnect the connector between the airbag sensor assembly and spiral cable.

**CHECK:**

For the connector (on the spiral cable side) between the spiral cable and the airbag sensor assembly, measure the resistance between D2+ and D2-.

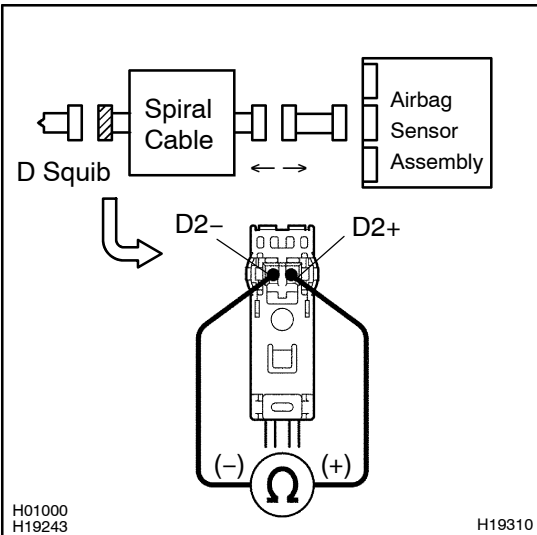
**OK:**

**Resistance: Below 1 Ω**

**NG** → **Repair or replace harness or connector between airbag sensor assembly and spiral cable.**

**OK**

**6 Check spiral cable.**



**CHECK:**

For the black connector (on the spiral cable side) between the spiral cable and the steering wheel pad, measure the resistance between D2+ and D2-.

**OK:**

**Resistance: Below 1 Ω**

**NG** → **Replace spiral cable.**

**OK**

**From the results of the above inspection, the malfunctioning part can now be considered normal. To make sure of this, use the simulation method to check.**