

<b>DTC</b>	<b>B1154/38</b>	<b>Curtain Shield Airbag Sensor Assembly (RH) Malfunction</b>
------------	-----------------	---

**CIRCUIT DESCRIPTION**

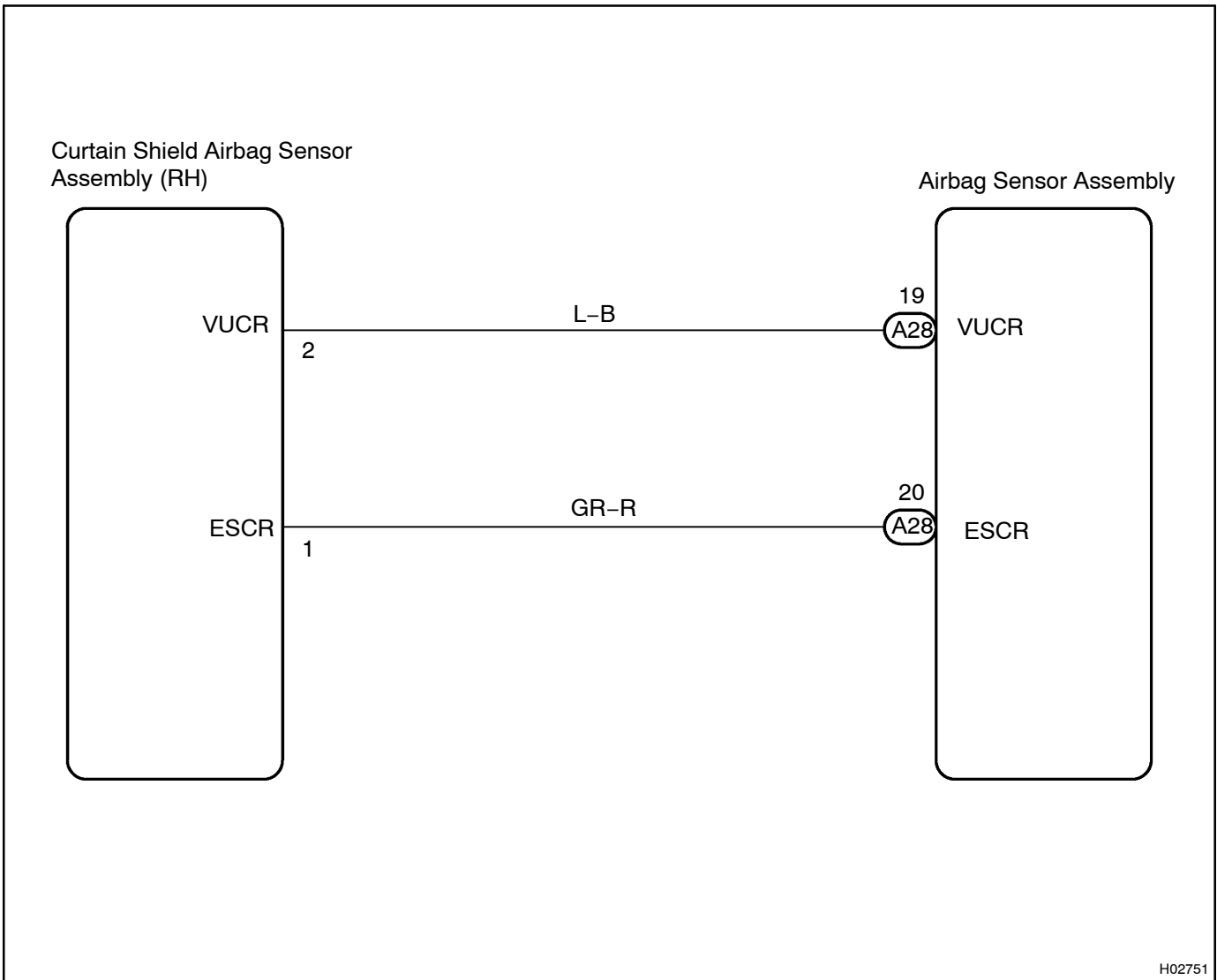
The curtain shield airbag sensor assembly (RH) consists of the diagnosis circuit and lateral deceleration sensor, etc..

It receives signals from the lateral deceleration sensor, judges whether or not the SRS must be activated, and detects diagnosis system malfunction.

DTC B1154/38 is recorded when occurrence of a malfunction in the curtain shield airbag sensor assembly (RH) is detected.

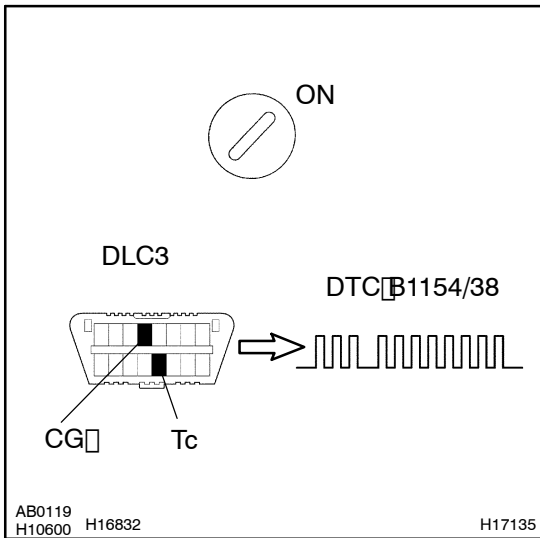
DTC No.	DTC Detecting Condition	Trouble Area
B1154/38	•Curtain shield airbag sensor assembly (RH) malfunction	<ul style="list-style-type: none"> <li>•Curtain shield airbag sensor assembly (RH)</li> <li>•Wire harness</li> <li>•Airbag sensor assembly</li> </ul>

**WIRING DIAGRAM**



## INSPECTION PROCEDURE

1 Is DTC B1154/38 output?

**CHECK:**

- Turn the ignition switch to ON, and wait at least for 20 seconds.
- Clear the DTC stored in memory (See page DI-1).
- Turn the ignition switch to LOCK, and wait at least for 20 seconds.
- Turn the ignition switch to ON, and wait at least for 20 seconds.
- Check the DTC (See page DI-1).

**HINT:**

Codes other than code B1154/38 may be output at this time, but they are not relevant to this check.

YES

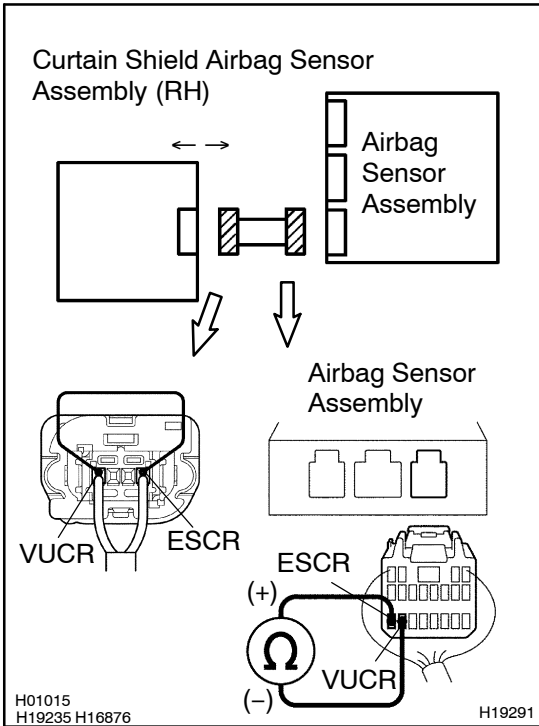
The malfunctioning part can now be considered normal. To make sure of this, use the simulation method to check.

NO

2 Is connector of curtain shield airbag sensor assembly (RH) properly connected?

3 Prepare for inspection (See step 1 on DI-82).

## 4 Check wire harness.



### PREPARATION:

- Disconnect the curtain shield airbag sensor assembly (RH) connector.
- Using a service wire, connect VUCR and ESCR of the connector (on the curtain shield airbag sensor assembly side) between the curtain shield airbag sensor assembly (RH) and airbag sensor assembly.

### CHECK:

For the connector (on the airbag sensor assembly side) between the curtain shield airbag sensor assembly (RH) and the airbag sensor assembly, measure the resistance between VUCR and ESCR.

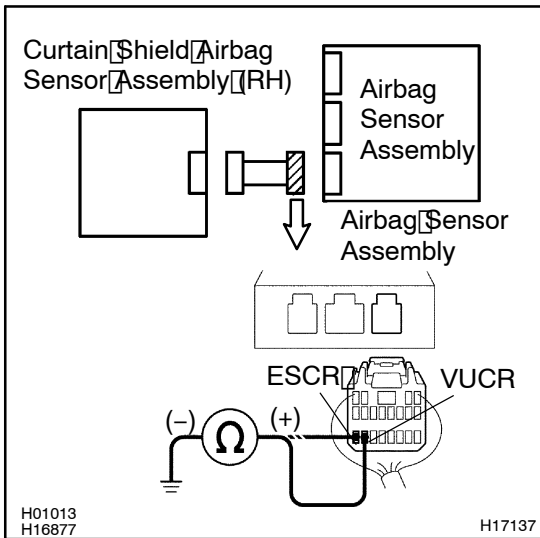
### OK:

**Resistance: Below 1  $\Omega$**

**NG**

**Repair or replace harness or connector between curtain shield airbag sensor assembly (RH) and airbag sensor assembly.**

**OK**

**5 Check wire harness (to ground).****CHECK:**

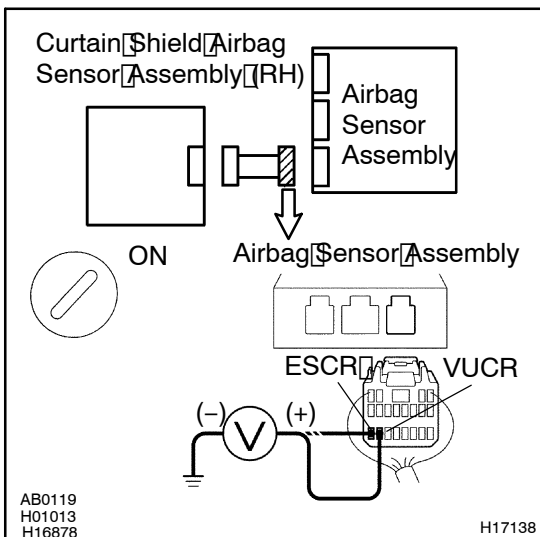
For the connector (on the airbag sensor assembly side) between the curtain shield airbag sensor assembly (RH) and the airbag sensor assembly, measure the resistance between body ground and each of VUCR and ESCR.

**OK:**

**Resistance: Below 1 Ω**

**NG**

**Repair or replace harness or connector between curtain shield airbag sensor assembly (RH) and airbag sensor assembly.**

**OK****6 Check wire harness (to B+).****PREPARATION:**

Deactivate the LEXUS Link system (See page DI-1)

**CHECK:**

- Turn the ignition switch to ON.
- For the connector (on the airbag sensor assembly side) between the curtain shield airbag sensor assembly (RH) and the airbag sensor assembly, measure the voltage between the body ground and each of VUCR and ESCR.

**OK:**

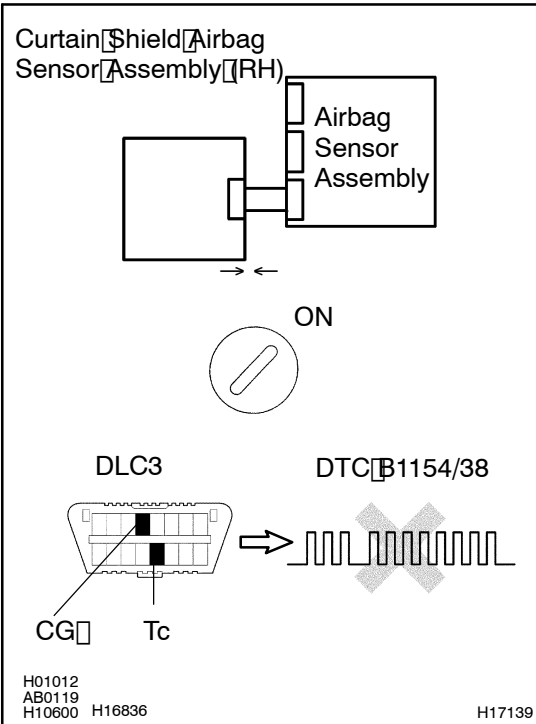
**Voltage: 0 V**

**NG**

**Repair or replace harness or connector between curtain shield airbag sensor assembly (RH) and airbag sensor assembly.**

**OK**

**7 Check airbag sensor assembly.**



**PREPARATION:**

- (a) Turn the ignition switch to LOCK.
- (b) Disconnect the negative (-) terminal cable from the battery, and wait at least for 90 seconds.
- (c) Disconnect the curtain shield airbag sensor (RH) from the connector and connect the curtain shield airbag sensor (LH) to the connector.
- (d) Connect the negative (-) terminal cable to the battery, and wait at least for 2 seconds.

**CHECK:**

- (a) Turn the ignition switch to ON, and wait at least for 20 seconds.
- (b) Clear the DTC stored in memory (See step 5 on page DI-1).
- (c) Turn the ignition switch to LOCK, and wait at least for 20 seconds.
- (d) Turn the ignition switch to ON, and wait at least for 20 seconds.
- (e) Check the DTC (See page DI-1).

**OK:**

**DTC B1154/38 is not output.**

**HINT:**

Codes other than code B1154/38 may be output at this time, but they are not relevant to this check.

<b>NG</b>	<b>Replace airbag sensor assembly.</b>
-----------	--

<b>OK</b>
-----------

**From the results of the above inspection, the malfunctioning part can now be considered normal. To make sure of this, use the simulation method to check.**