

DTC	B1153/25	Seat Position Sensor Assembly Malfunction
------------	-----------------	--

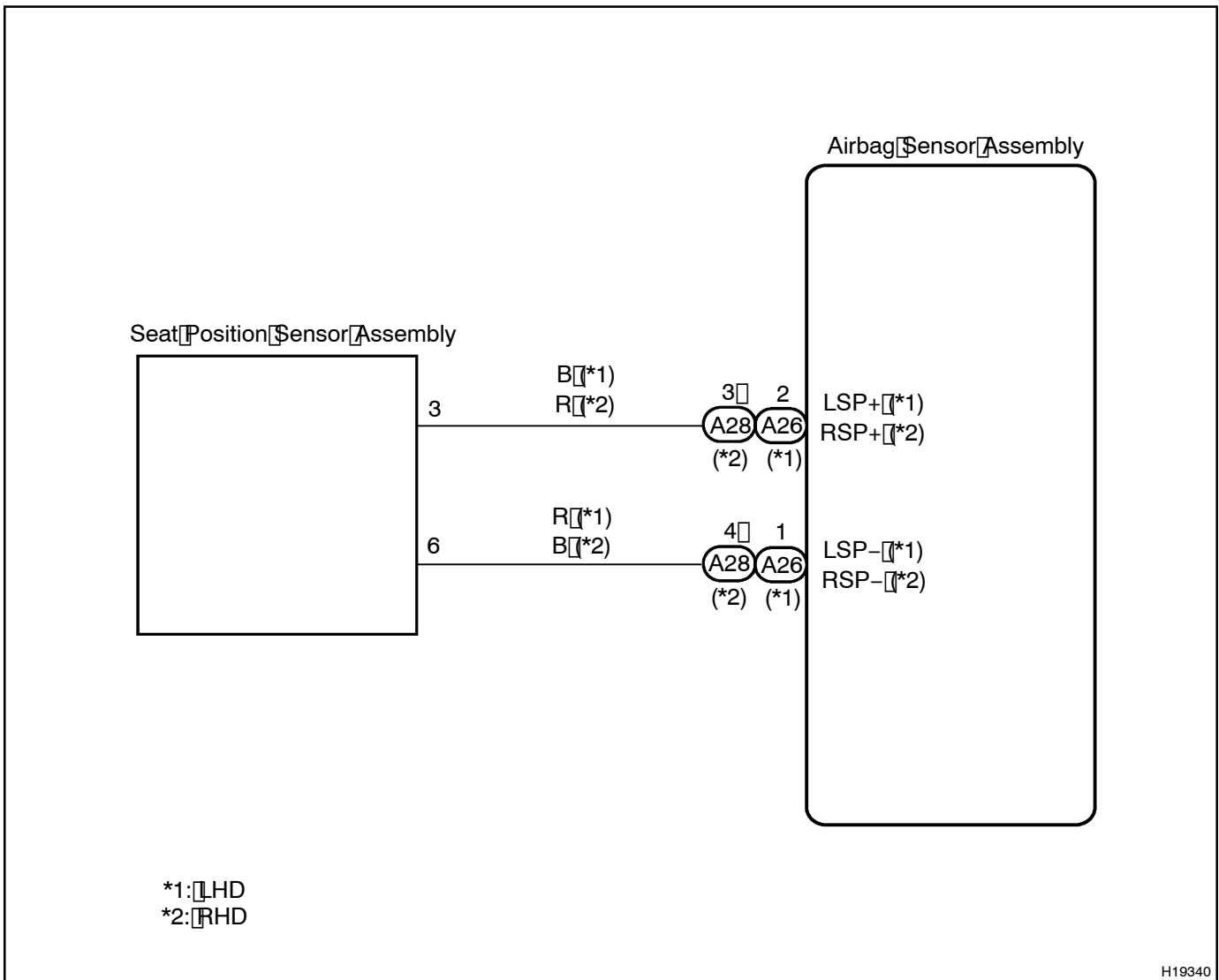
CIRCUIT DESCRIPTION

The seat position sensor circuit consists of the airbag sensor assembly and seat position sensor assembly. For details of the function of each components, see OPERATION on page RS-3.

B1153/25 is recorded when a malfunction is detected in the seat position sensor circuit.

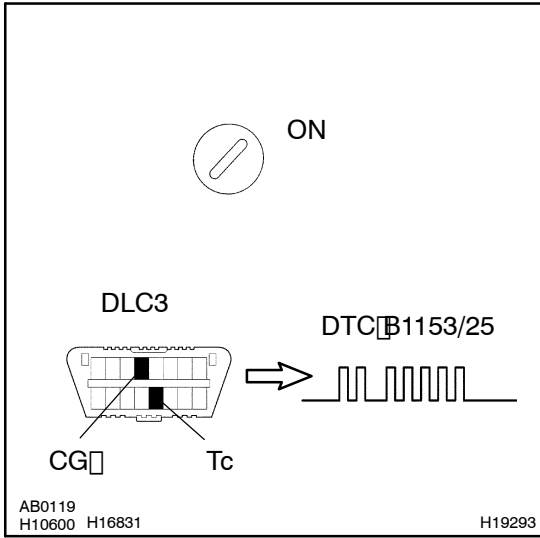
DTC No.	DTC Detecting Condition	Trouble Area
B1153/25	• Seat position sensor assembly malfunction	<ul style="list-style-type: none"> • Seat position sensor assembly • Airbag sensor assembly • Wire harness

WIRING DIAGRAM



INSPECTION PROCEDURE

1 Is DTC B1153/25 output?



CHECK:

- (a) Turn the ignition switch to ON, and wait at least for 20 seconds.
- (b) Clear the DTC stored in memory (See page DI-1).
- (c) Turn the ignition switch to LOCK, and wait at least for 20 seconds.
- (d) Turn the ignition switch to ON, and wait at least for 20 seconds.
- (e) Check the DTC (See page DI-1).

HINT:

Codes other than code B1153/25 may be output at this time, but they are not relevant to this check.

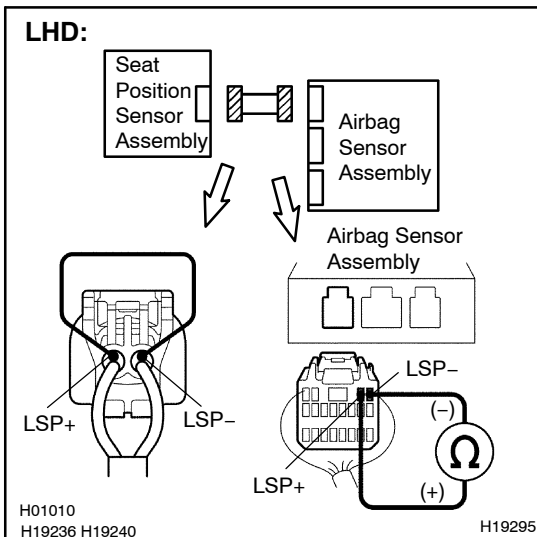
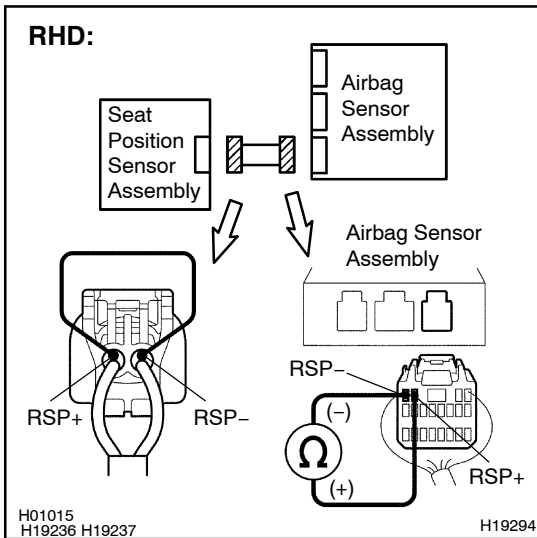
YES The malfunctioning part can now be considered normal. To make sure of this, use the simulation method to check.

NO

2 Is connector of seat position sensor assembly properly connected ?

3 Prepare for inspection (See step 1 on DI-82).

4 Check wire harness.



PREPARATION:

- Disconnect the negative (-) terminal cable from the battery, and wait at least for 90 seconds.
- Disconnect the connector of the seat position sensor assembly and airbag sensor assembly.
- RHD:
Using a service wire, connector RSP+ and RSP- of the connector (on the seat position sensor assembly side) between the seat position sensor assembly and airbag sensor assembly.
- LHD:
Using a service wire, connect LSP+ and LSP- of the connector (on the seat position sensor assembly side) between the seat position sensor assembly and airbag sensor assembly.

CHECK:

- RHD:
For the connector (on the airbag sensor assembly side) between the seat position sensor assembly and the airbag sensor assembly, measure the resistance between RSP+ and RSP-.
- LHD:
For the connector (on the airbag sensor assembly side) between the seat position sensor assembly and the airbag sensor assembly, measure the resistance between LSP+ and LSP-.

OK:

Resistance: Below 1 Ω

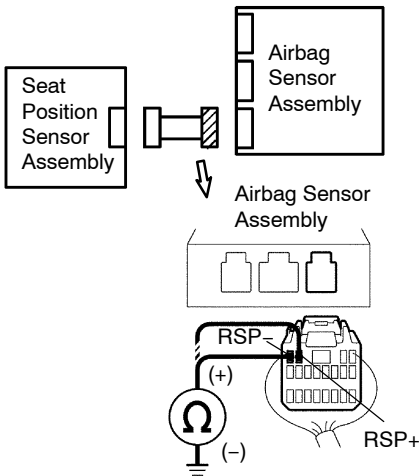
NG

Repair or replace harness or connector between seat position sensor assembly and airbag sensor assembly.

OK

5 Check wire harness (to ground).

RHD:



PREPARATION:

Release the service wire of the connector (on the seat position sensor assembly side) between the seat position sensor assembly and the airbag sensor assembly.

CHECK:

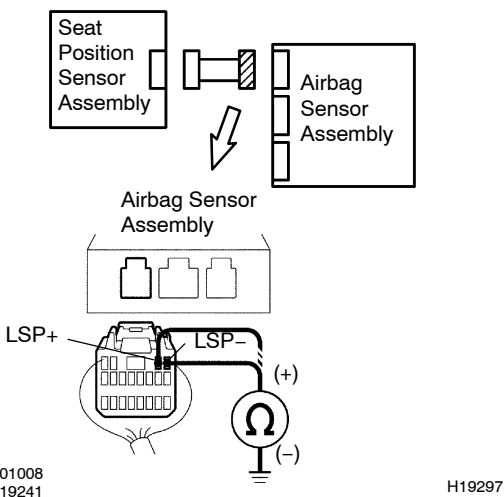
(a) RHD:

For the connector (on the airbag sensor assembly side) between the seat position sensor assembly and the airbag sensor assembly, measure the resistance between body ground and each of RSP+ and RSP-.

(b) LHD:

For the connector (on the airbag sensor assembly side) between the seat position sensor assembly and the airbag sensor assembly, measure the resistance between body ground and each of LSP+ and LSP-.

LHD:



OK:

Resistance: 1 M Ω or Higher

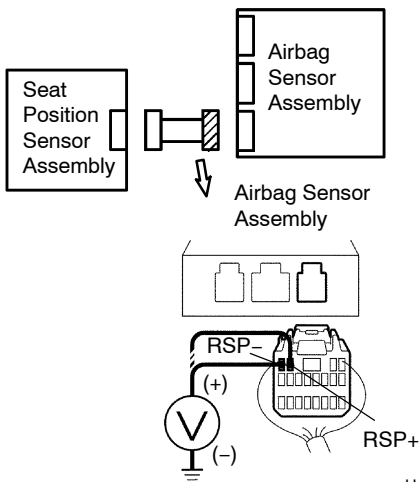
NG

Repair and replace harness or connector between seat position sensor assembly and airbag sensor assembly.

OK

6 Check wire harness (to B+).

RHD:



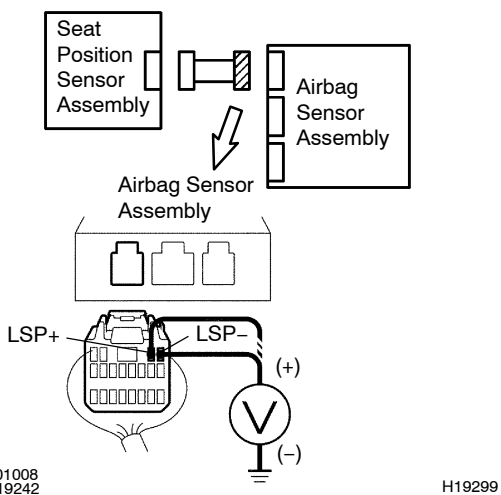
PREPARATION:

- Detective the LEXUS Link system (See page DI-1)
- Connect the negative (-) terminal cable to the battery.
- Turn the ignition switch to ON.

CHECK:

- RHD:
For the connector (on the airbag sensor assembly side) between the seat position sensor assembly and the airbag sensor assembly, measure the voltage between the body ground and each of RSP+ and RSP-.
- LHD:
For the connector (on the airbag sensor assembly side) between the seat position sensor assembly and the airbag sensor assembly, measure the voltage between the body ground and each of LSP+ and LSP-.

LHD:



OK:

Voltage: Below 1 V

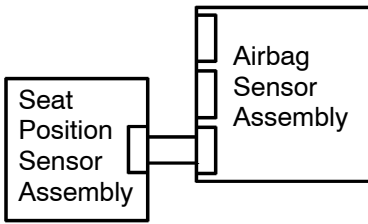
NG

Repair and replace harness or connector between seat position sensor assembly and airbag sensor assembly.

OK

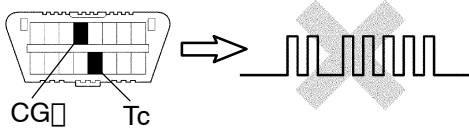
7 Check seat position airbag sensor.

RHD:



DLC3

DTC B1153/25



H01012
AB0119
H10600

H19300

PREPARATION:

- Turn the ignition switch to LOCK.
- Disconnect the negative (-) terminal cable from the battery, and wait at least for 90 seconds.
- Connect the connectors of the seat position sensor assembly and the airbag sensor assembly.
- Connect the negative (-) terminal cable to the battery, and wait at least for 2 seconds.

CHECK:

- Turn the ignition switch to ON, and wait at least for 20 seconds.
- Clear the DTC stored in memory (See step 5 on page DI-1).
- Turn the ignition switch to LOCK, and wait at least for 20 seconds.
- Turn the ignition switch to ON, and wait at least for 20 seconds.
- Check the DTC (See page DI-1).

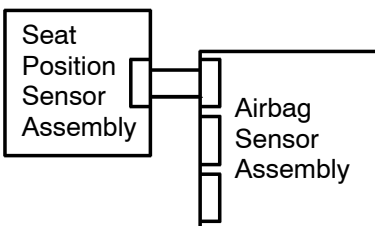
OK:

DTC B1153/25 is not output.

HINT:

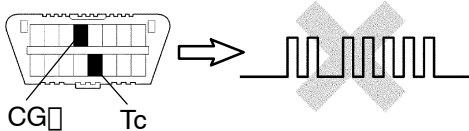
Codes other than code B1153/25 may be output at this time, but they are not relevant to this check.

LHD:



DLC3

DTC B1153/25



H01007
AB0119
H10600

H19301

NG

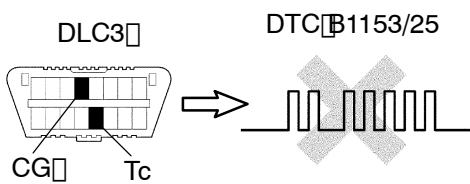
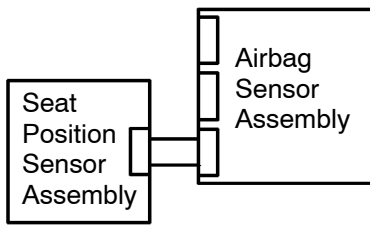
Replace seat position sensor assembly (Go to step 8).

OK

From the results of the above inspection, the malfunctioning part can now be considered normal. To make sure of this, use the simulation method to check.

8 Is DTC B1153/25 output again?

RHD:



H01012
AB0119
H10600

H19300

CHECK:

- Turn the ignition switch to ON, and wait at least for 20 seconds.
- Clear the DTC stored in memory (See step 5 on page DI-1).
- Turn the ignition switch to LOCK, and wait at least for 20 seconds.
- Turn the ignition switch to ON, and wait at least for 20 seconds.
- Check the DTC (See page DI-1).

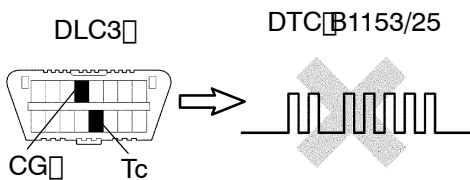
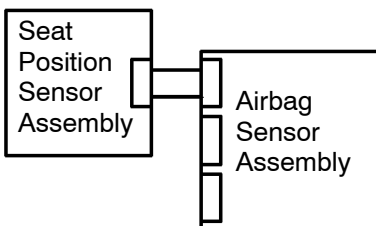
OK:

DTC B1153/25 is not output.

HINT:

Codes other than code B1153/25 may be output at this time, but they are not relevant to this check.

LHD:



H01007
AB0119
H10600

H19301

NG

Replace airbag sensor assembly.

OK

From the results of the above inspection, the malfunctioning part can now be considered normal. To make sure of this, use the simulation method to check.