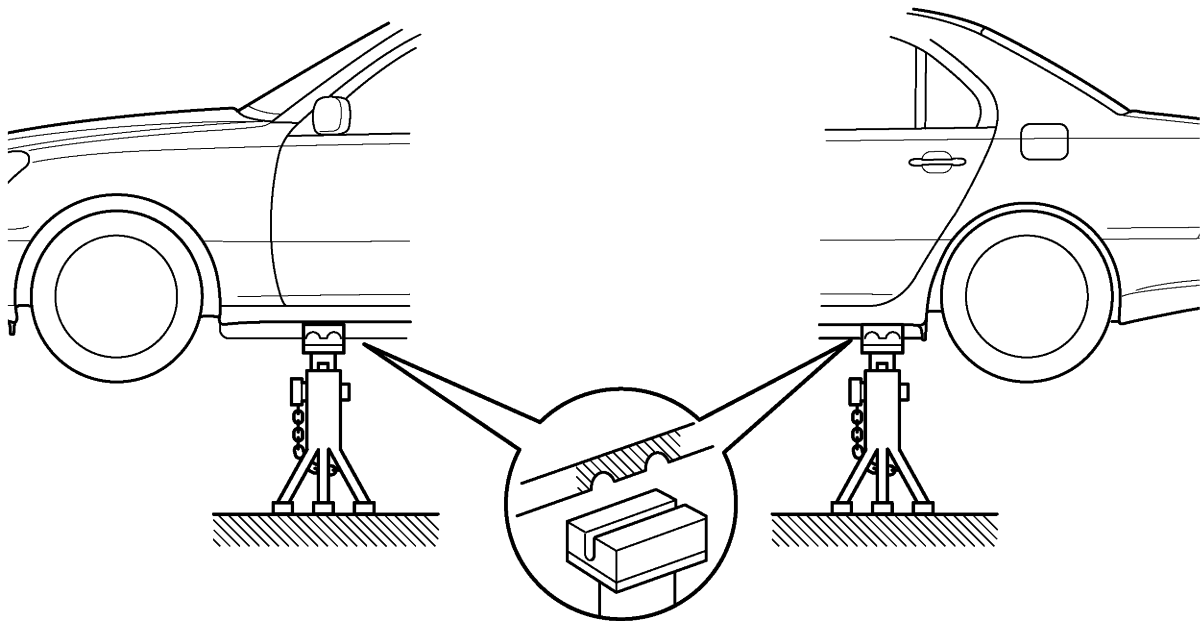
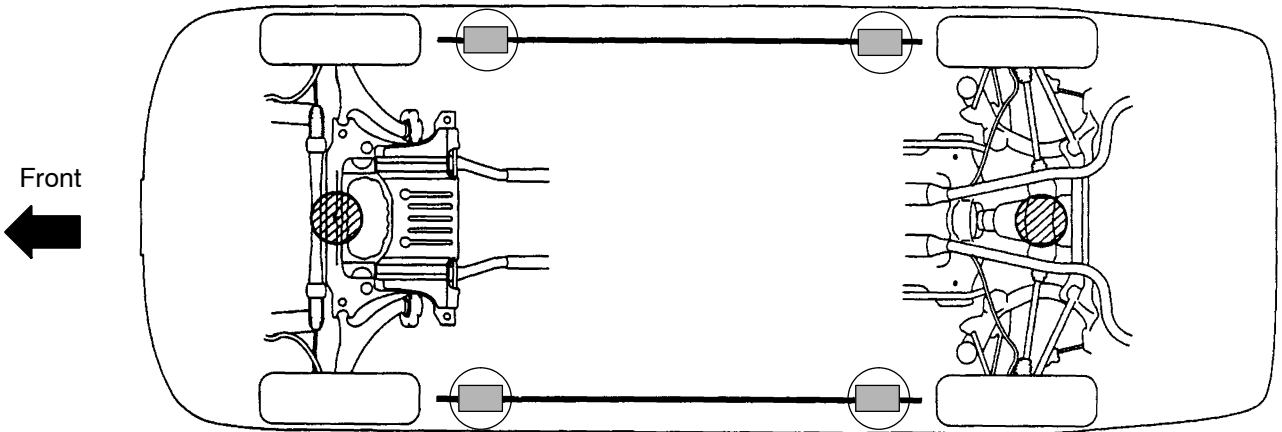
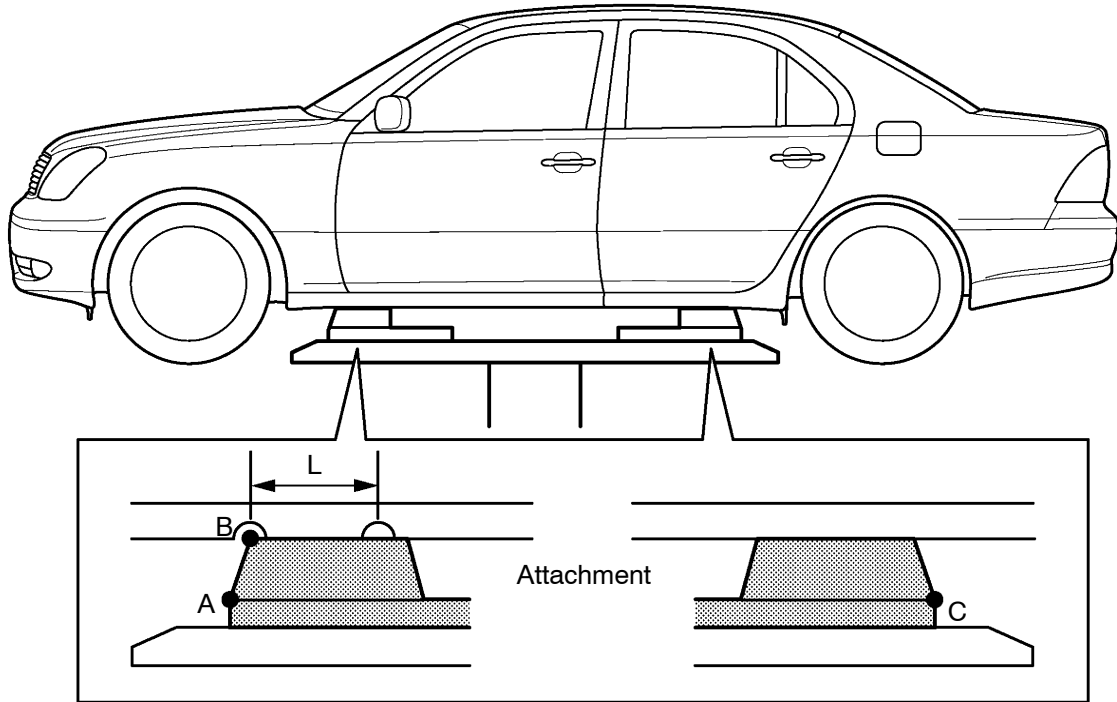


VEHICLE LIFT AND SUPPORT LOCATIONS



- JACK POSITION** _____ ●
- Front - - - - - Front Crossmember
- Rear - - - - - Rear differential carrier
- CAUTION: Before jacking-up the front and rear, make sure the vehicle is not carrying and extra wight.**
- PANTOGRAPH JACK POSITION** _____ ○
- SUPPORT POSITION** _____ ■
- Safety stand and swing arm type lift

Plate type lift:



HINT:

Left and right set position
 Front and rear set position

Place the vehicle over the center of the lift.

- Align the cushion gum ends of the plate with the attachment lower ends (A, C).
- Align the attachment upper end (B) with the front jack supporting point (L).

Attachment dimensions

