

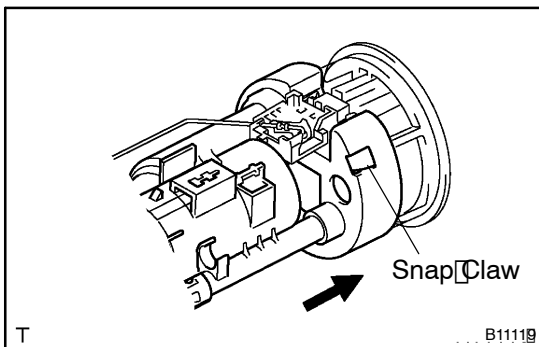
INSTALLATION

1. INSTALL FUEL SENDER GAGE ASSEMBLY

Slide the fuel sender gage assembly into the fuel suction plate, and connect the connector.

2. INSTALL FUEL FILTER ASSEMBLY AND FUEL PUMP ASSEMBLY WITH FILTER

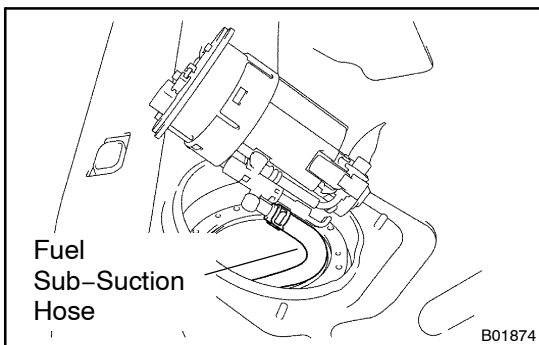
- Push in the fuel pump assembly with filter.
- Apply a tight coat of gasoline to a new O-ring, and install it to the fuel port of the fuel suction plate.
- Connect the fuel pump connector.



- Push the fuel filter assembly, and attach the 4 snap claws to the claw holes.

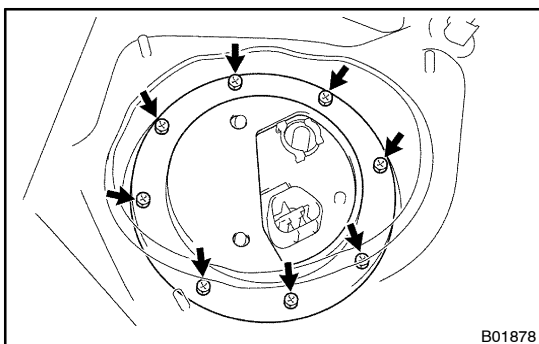
3. INSTALL FUEL PRESSURE REGULATOR AND FUEL RETURN JET TUBE ASSEMBLY (See page FI-17)

4. INSTALL NO. 2 FUEL SUCTION SUPPORT (See page FI-17)

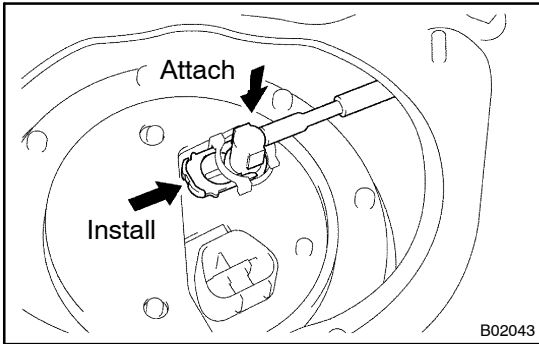


5. INSTALL FUEL PUMP AND SENDER GAUGE ASSEMBLY TO FUEL TANK

- Install a new gasket to the fuel suction plate.
- Connect the fuel sub-suction hose to the fuel return jet tube.
- Attach the fuel pump and sender gauge assembly to the fuel tank.



- Install the fuel tank vent tube set plate with the 8 bolts.
Torque: 3.5 N·m (36 kgf·cm, 31 in·lbf)

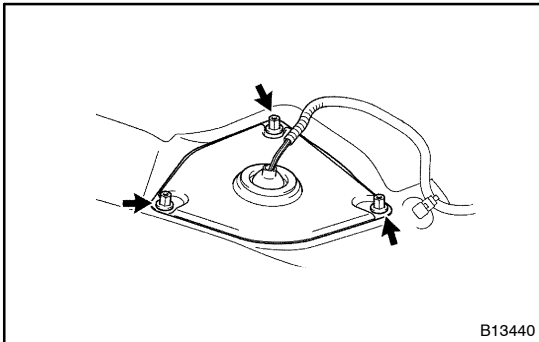


6. CONNECT FUEL TANK MAIN TUBE (FUEL TUBE CONNECTOR) TO FUEL SUCTION PLATE

- (a) Attach the fuel tube connector to the port of the fuel suction plate.
- (b) Install the tube joint clip.

7. CONNECT FUEL PUMP & SENDER GAUGE CONNECTOR

8. CHECK FOR FUEL LEAKS (See page FI-1)



9. INSTALL FLOOR SERVICE HOLE COVER

Install the service hole cover with the 3 cap nuts.

10. INSTALL REAR SEAT CUSHION