

B13440

REMOVAL

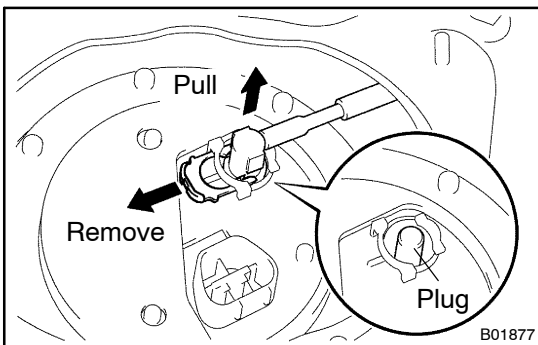
CAUTION:

Do not smoke or work near an open flame when working the fuel pump.

1. REMOVE REAR SEAT CUSHION
2. REMOVE FLOOR SERVICE HOLE COVER
Remove the 3 cap nuts and service hole cover.
3. DISCONNECT FUEL PUMP & SENDER GAUGE CONNECTOR
4. DISCONNECT FUEL TANK MAIN TUBE (FUEL TUBE CONNECTOR) FROM FUEL SECTION PLATE

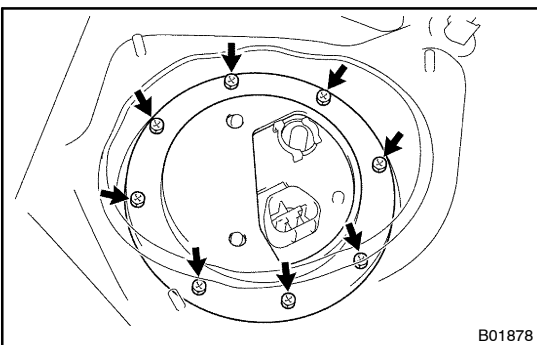
CAUTION:

- Perform disconnecting operation of the fuel tube connector (quick type) after observing precaution. (See page FI-1)
- As there is retained pressure in the fuel line, prevent it from splashing inside the vehicle compartment.



B01877

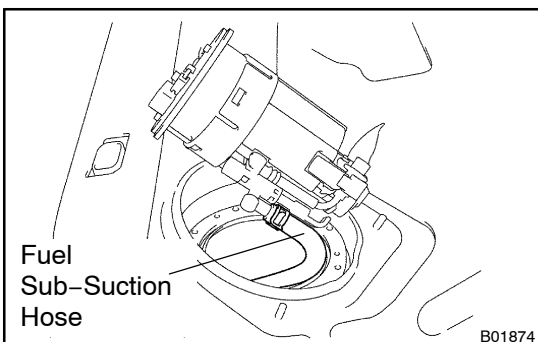
- (a) Remove the tube joint clip.
- (b) Pull out the fuel main tube.
- (c) Plug the port of the fuel suction plate with a clean rubber cap.



B01878

5. REMOVE FUEL PUMP AND SENDER GAUGE ASSEMBLY FROM FUEL TANK

- (a) Remove the 8 bolts and fuel tank vent tube set plate.



B01874

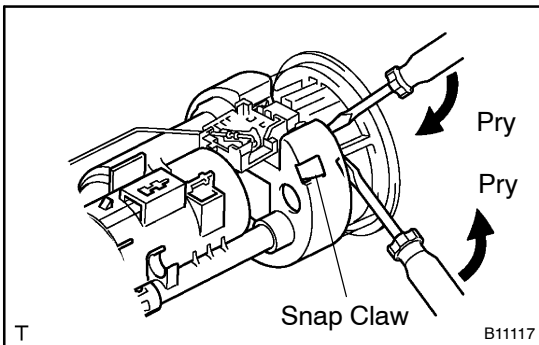
- (b) Lift up the fuel pump and sender gauge assembly, and disconnect the fuel sub-suction hose from the fuel return jet tube and remove the fuel pump, sender gauge assembly and gasket.

6. REMOVE NO.2 FUEL SUCTION SUPPORT

(See page FI-16)

7. REMOVE FUEL PRESSURE REGULATOR AND FUEL RETURN JET TUBE ASSEMBLY

(See page FI-16)



8. REMOVE FUEL FILTER ASSEMBLY AND FUEL PUMP ASSEMBLY WITH FILTER

- (a) Using 2 screwdrivers, disconnect the 4 snap claws from the claw holes and remove the fuel filter assembly.

NOTICE:

Be careful not to damage the filter assembly and suction plate.

- (b) Disconnect the fuel pump connector.
 (c) Remove the O-ring from the fuel port of the fuel suction plate.
 (d) Pull out the fuel pump assembly with filter.

9. REMOVE FUEL SENDER GAUGE ASSEMBLY

Disconnect the connector and slide the fuel sender gauge assembly out of the fuel suction plate.