

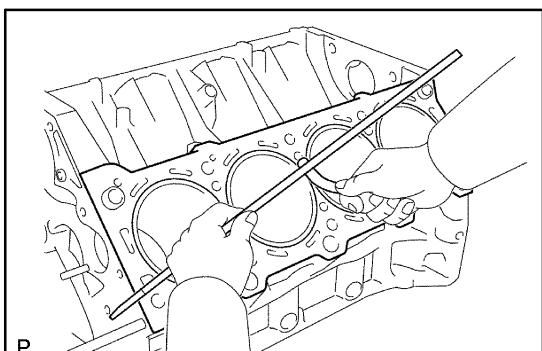
INSPECTION

1. CLEAN CYLINDER BLOCK

- (a) Using a gasket scraper, remove all the gasket material from the top surface of the cylinder block.
- (b) Using a soft brush and solvent, thoroughly clean the cylinder block.

NOTICE:

If the cylinder is washed at high temperatures, the cylinder liner sticks out beyond the cylinder block, so always wash the cylinder block at a temperature of 45° or less.



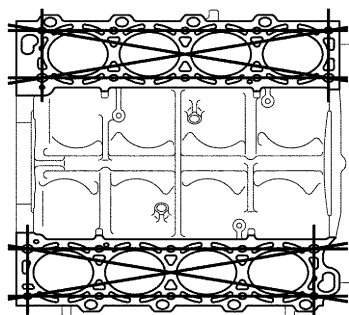
2. INSPECT CYLINDER BLOCK

- (a) Inspect for flatness.
Using a precision straight edge and feeler gauge, measure the surfaces contacting the cylinder head and main bearing cap for warpage.

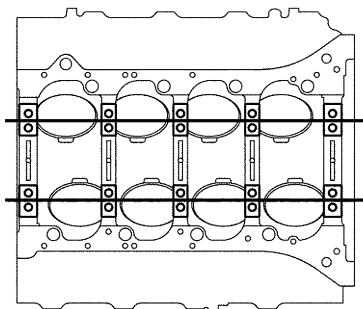
Maximum warpage: 0.07 mm (0.0028 in.)

If warpage is greater than maximum, replace the cylinder block.

Cylinder Block Side

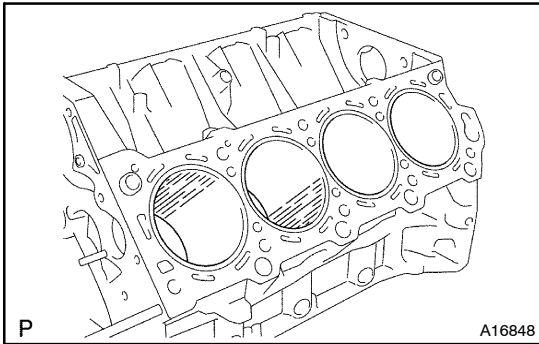


Main Bearing Cap Side

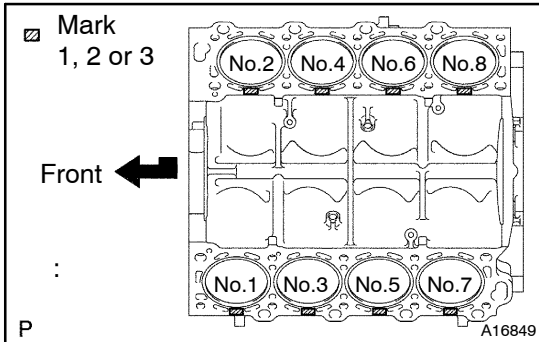


A16842
A16843
A04047

A16844



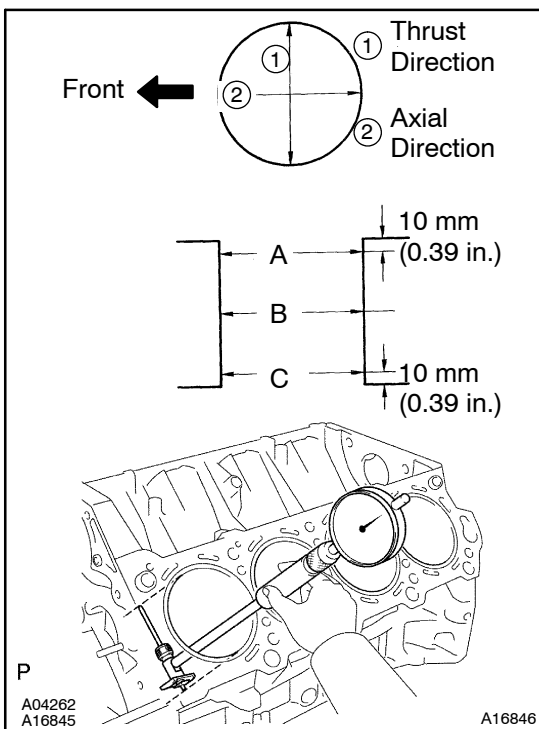
- (b) Visually check the cylinder for vertical scratches. If deep scratches are present, replace the cylinder block.



- (c) Inspect the cylinder bore diameter.

HINT:

There are 3 sizes of the standard cylinder bore diameter, marked "1", "2" and "3" accordingly. The mark is stamped on the top of the cylinder block.



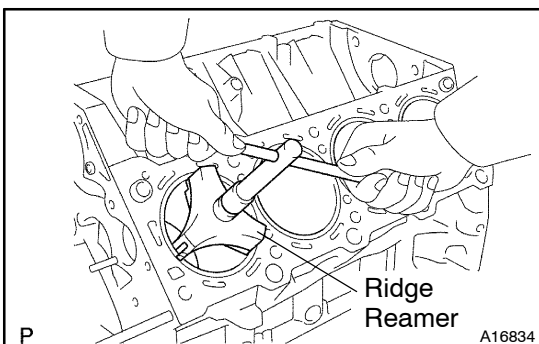
Using a cylinder gauge, measure the cylinder bore diameter at positions A, B and C in the thrust and axial directions.

Standard diameter:

Mark "1"	91.000 – 91.008 mm (3.5827 – 3.5830 in.)
Mark "2"	91.008 – 91.021 mm (3.5830 – 3.5835 in.)
Mark "3"	91.021 – 91.029 mm (3.5835 – 3.5838 in.)

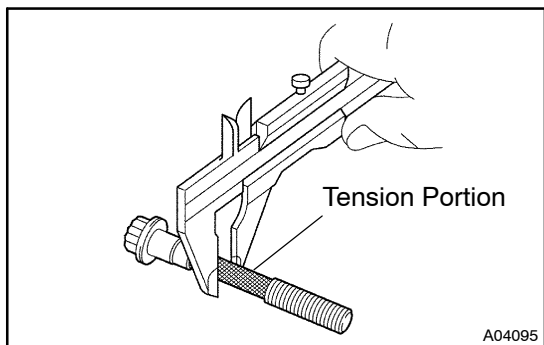
Maximum diameter: 91.229 mm (3.5917 in.)

If the diameter is greater than maximum, replace the cylinder block.



- (d) Remove the cylinder ridge.

If the wear is less than 0.2 mm (0.008 in.), using a ridge reamer, grind the top of the cylinder.



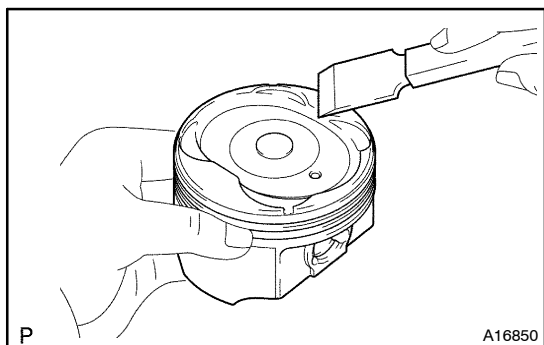
- (e) Using vernier calipers, measure the tension portion diameter of the main bearing cap bolt.

Standard diameter:

7.500 – 7.600 mm (0.2953 – 0.2992 in.)

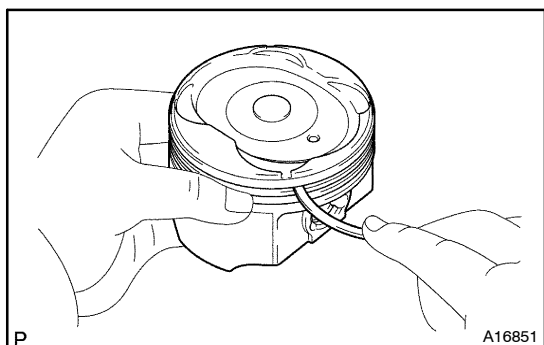
Minimum diameter: 7.20 mm (0.2835 in.)

If the diameter is less than minimum, replace the cap bolt.

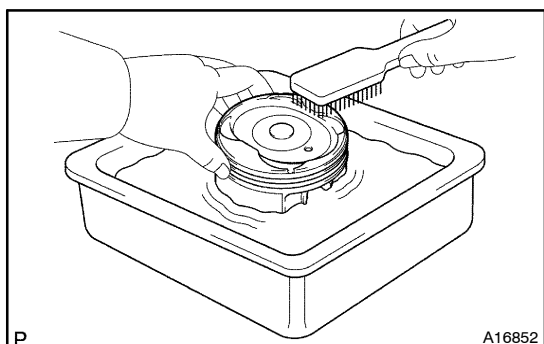


3. CLEAN PISTON

- (a) Using a gasket scraper, remove the carbon from the piston top.



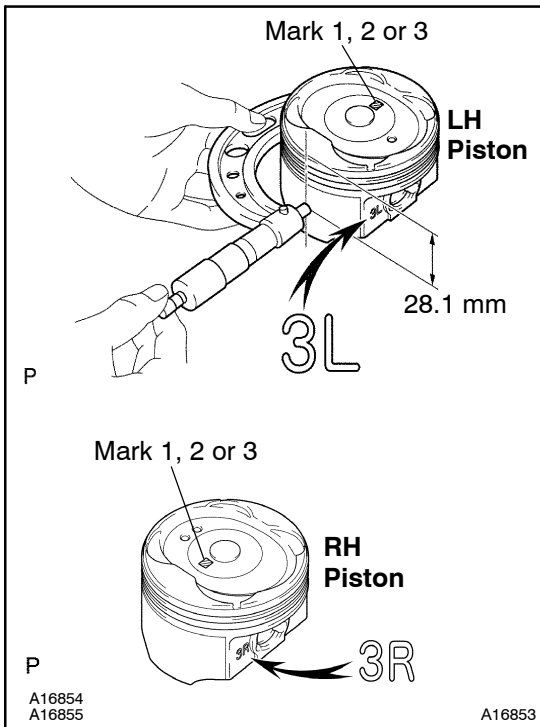
- (b) Using a groove cleaning tool or broken ring, clean the piston ring grooves.



- (c) Using solvent and a brush, thoroughly clean the piston.

NOTICE:

Do not use a wire brush.



4. INSPECT PISTON AND CONNECTING ROD

(a) Inspect the piston oil clearance.

HINT:

There are 3 sizes of the standard piston diameter, marked "1", "2" and "3" accordingly. The mark is stamped on the piston top.

- (1) Using a micrometer, measure the piston diameter at right angles to the piston pin center line, 28.1 mm (1.106 in.) from the piston head.

Piston diameter:

Mark "1"	90.910 - 90.920 mm (3.5791 - 3.5795 in.)
Mark "2"	90.920 - 90.928 mm (3.5795 - 3.5798 in.)
Mark "3"	90.928 - 90.938 mm (3.5798 - 3.5802 in.)

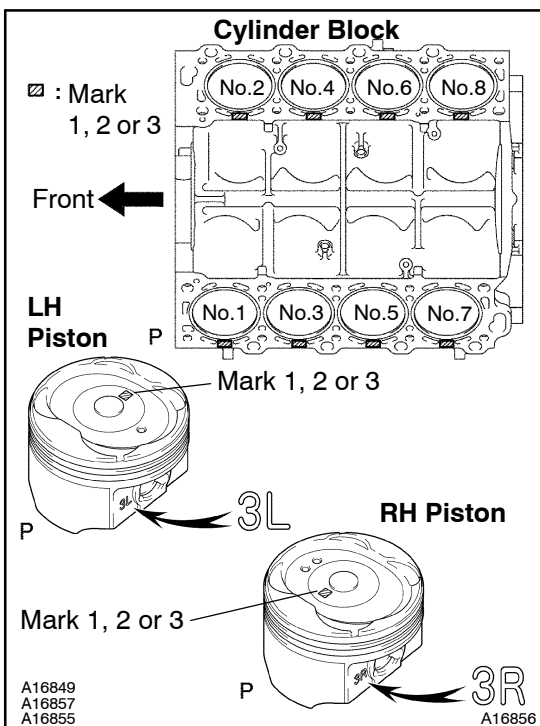
- (2) Measure the cylinder bore diameter in the thrust directions. (See step 2 above)
- (3) Subtract the piston diameter measurement from the cylinder bore diameter measurement.

Standard oil clearance:

0.080 - 0.101 mm (0.0031 - 0.0040 in.)

Maximum oil clearance: 0.121 mm (0.0048 in.)

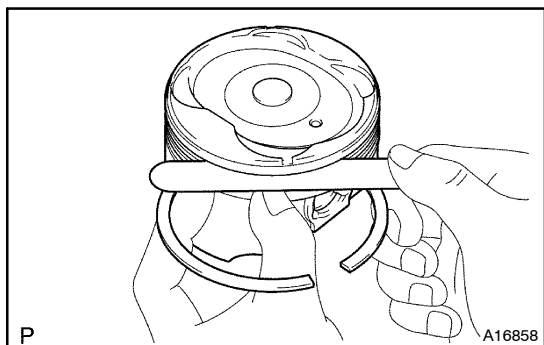
If the oil clearance is greater than maximum, replace all the 8 pistons. If necessary, replace the cylinder block.



HINT

Use new cylinder block:

- Use a piston with the same number mark as the cylinder diameter marked on the cylinder block.
- The shape of the piston varies for the LH and RH banks. The LH piston is marked with "3L", the RH piston with "3R".

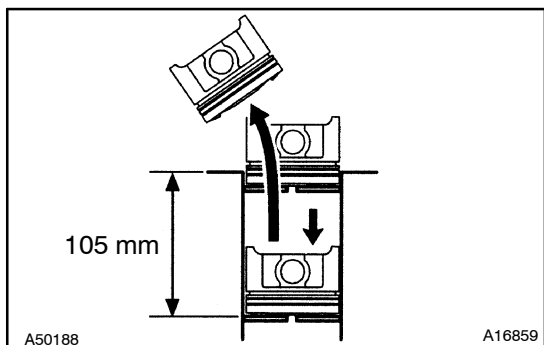


- (b) Inspect the piston ring groove clearance.
Using a feeler gauge, measure the clearance between new piston ring and the wall of the ring groove.

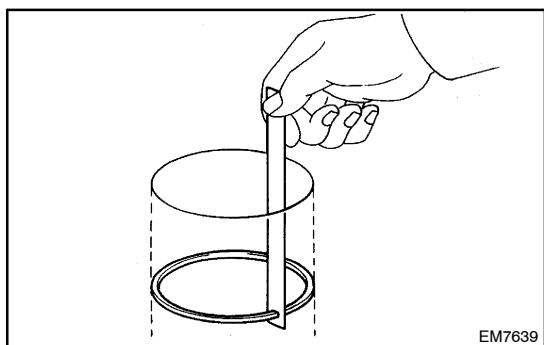
Ring groove clearance:

No.1	0.030 – 0.080 mm (0.0012 – 0.0031 in.)
No.2	0.020 – 0.060 mm (0.0008 – 0.0024 in.)

If the clearance is not as specified, replace the piston.



- (c) Inspect the piston ring end gap.
- (1) Insert the piston ring into the cylinder bore.
 - (2) Using a piston, push the piston ring a little beyond the bottom of the ring travel, 105 mm (4.13 in.) from the top of the cylinder block.



- (3) Using a feeler gauge, measure the end gap.

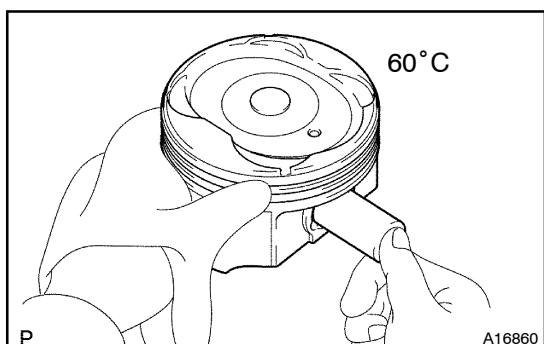
Standard end gap:

No.1	0.300 – 0.500 mm (0.0118 – 0.0197 in.)
No.2	0.400 – 0.600 mm (0.0157 – 0.0236 in.)
Oil (Side rail)	0.150 – 0.500 mm (0.0059 – 0.0197 in.)

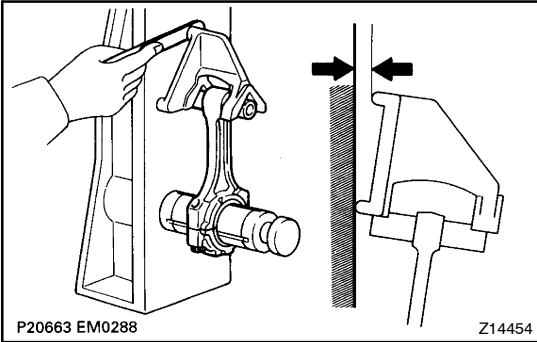
Maximum end gap:

No.1	1.10 mm (0.0433 in.)
No.2	1.20 mm (0.0472 in.)
Oil (Side rail)	1.10 mm (0.0433 in.)

If the end gap is greater than maximum, replace the piston ring.
If the end gap is greater than maximum, even with a new piston ring, replace the cylinder block.



- (d) Inspect the piston pin fit.
At 60°C (140°F), you should be able to push the piston pin into the piston pin hole with your thumb.



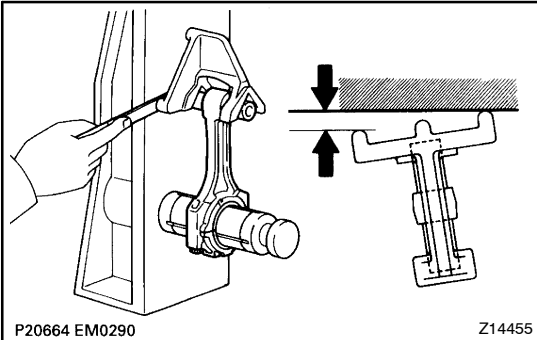
(e) Using a rod aligner and feeler gauge, check the connecting rod alignment.

(1) Check for bend.

Maximum bend:

0.05 mm (0.0020 in.) per 100 mm (3.94 in.)

If bend is greater than maximum, replace the connecting rod assembly.

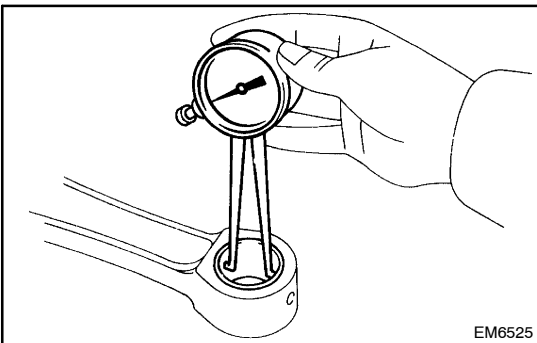


(2) Check for twist

Maximum twist:

0.15 mm (0.0059 in.) per 100 mm (3.94 in.)

If twist is greater than maximum, replace the connecting rod assembly.

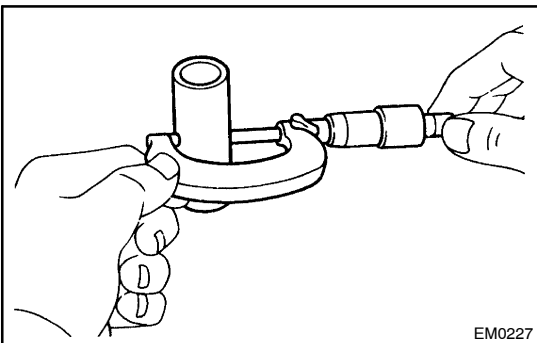


(f) Inspect the piston pin oil clearance.

(1) Using a caliper gauge, measure the inside diameter of the connecting rod bushing.

Bushing inside diameter:

22.005 - 22.014 mm (0.8663 - 0.8667 in.)



(2) Using a micrometer, measure the piston pin diameter.

Piston pin diameter:

21.997 - 22.006 mm (0.8660 - 0.8664 in.)

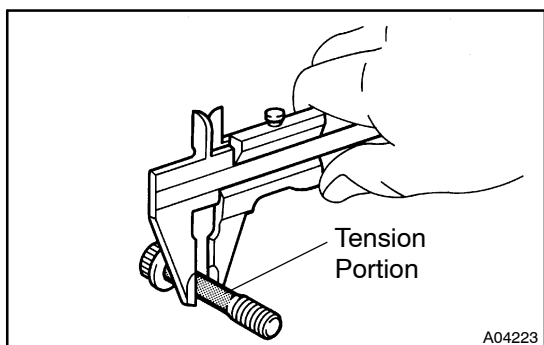
(3) Subtract the piston pin diameter measurement from the bushing inside diameter measurement.

Standard oil clearance:

0.005 - 0.011 mm (0.0002 - 0.0004 in.)

Maximum oil clearance: 0.05 mm (0.0020 in.)

If the oil clearance is greater than maximum, replace the bushing. If necessary, replace the piston and piston pin as a set.



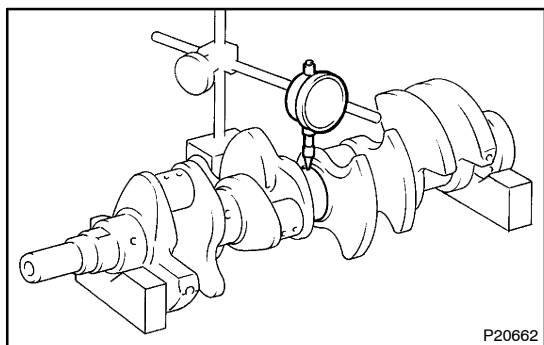
(g) Using vernier calipers, measure the tension portion of the connecting rod bolt.

Standard diameter:

7.200 – 7.300 mm (0.2835 – 0.2874 in.)

Minimum diameter: 7.00 mm (0.2756 in.)

If the diameter is less than minimum, replace the bolt.



5. INSPECT CRANKSHAFT

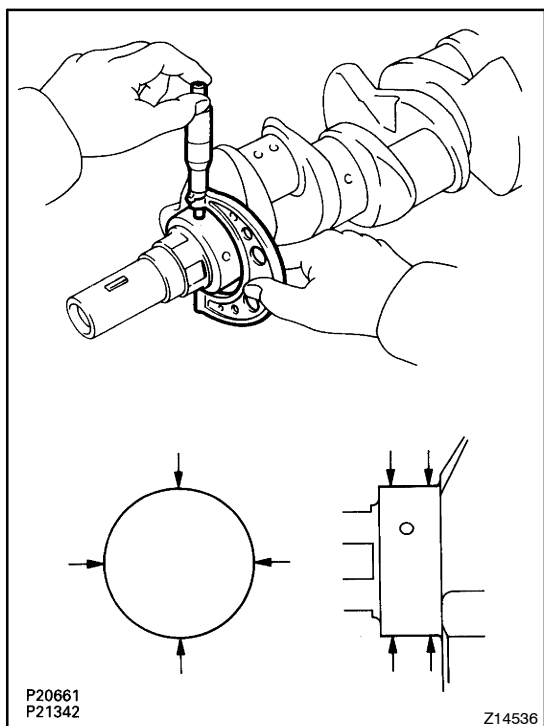
(a) Inspect for circle runout.

(1) Place the crankshaft on V-blocks.

(2) Using a dial indicator, measure the circle runout at the center journal.

Maximum circle runout: 0.08 mm (0.0031 in.)

If the circle runout is greater than maximum, replace the crankshaft.



(b) Inspect the main journals and crank pins.

(1) Using a micrometer, measure the diameter of each main journal and crank pin.

Main journal diameter:

66.988 – 67.000 mm (2.6373 – 2.6378 in.)

Crank pin diameter:

51.982 – 52.000 mm (2.0465 – 2.0472 in.)

If the diameter is not as specified, check the oil clearance (See page EM-96). If necessary, replace the crankshaft.

(2) Check each main journal and crank pin for taper and out-of-round as shown.

Maximum taper and out-of-round:

0.02 mm (0.0008 in.)

If the taper and out-of-round is greater than maximum, replace the crankshaft.