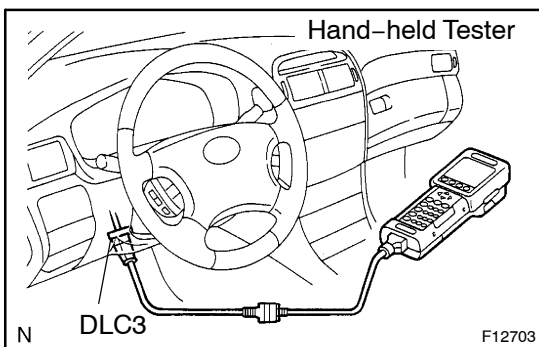


IDLE SPEED INSPECTION

1. INITIAL CONDITIONS

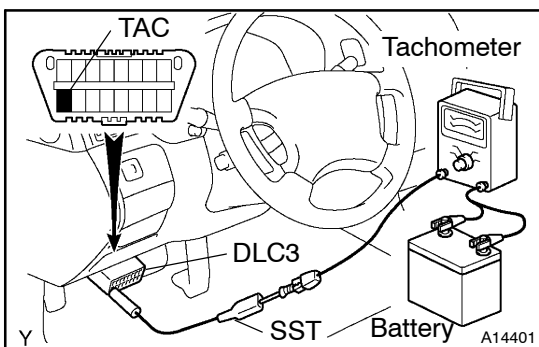
- (a) Engine at normal operating temperature
- (b) Air cleaner installed
- (c) All pipes and hoses of air induction system connected
- (d) All vacuum lines properly connected
- (e) EFI system wiring connectors fully plugged
- (f) All operating accessories switched OFF
- (g) Ignition timing check correctly
- (h) Transmission in neutral position
- (i) Air conditioning switched OFF



2. When using hand-held tester:

CONNECT HAND-HELD TESTER

- (a) Remove the fuse cover on the instrument panel.
- (b) Connect a hand-held tester to the DLC3.
- (c) Please refer to the hand-held tester operator's manual for further details.



3. When not using hand-held tester:

CONNECT HAND-HELD TESTER

Using SST, connect tachometer test probe to terminal TAC of the DLC3.

SST 09843-18030

4. INSPECT IDLE SPEED

- (a) Race the engine at 2,500 rpm for approx. 90 seconds.
- (b) Check the idle speed.

Idle speed (w/ Cooling fan OFF): 750 ± 50 rpm

If the idle speed is not as specified, check the air intake system.

5. When using hand-held tester:

DISCONNECT HAND-HELD TESTER

6. When not using hand-held tester:

DISCONNECT TACHOMETER