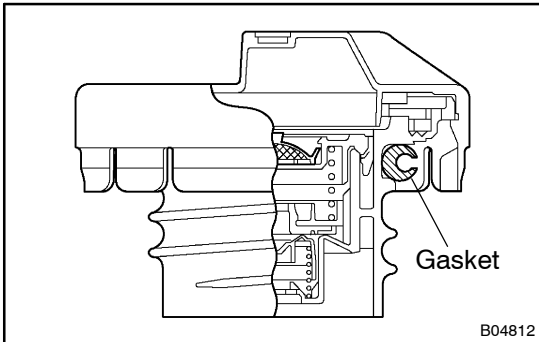


INSPECTION

1. REMOVE EXHAUST TAIL PIPE AND HEATED INSULATOR

2. INSPECT FUEL TANK FILLER PIPE

Visually check for deformation, cracks or fuel leakage.



3. INSPECT FUEL TANK CAP

Visually check if the cap and/or gasket are deformed or damaged.

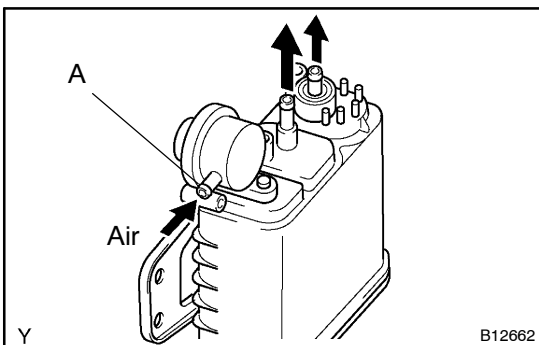
If necessary, repair or replace the cap.

4. REMOVE CHARCOAL CANISTER ASSEMBLY

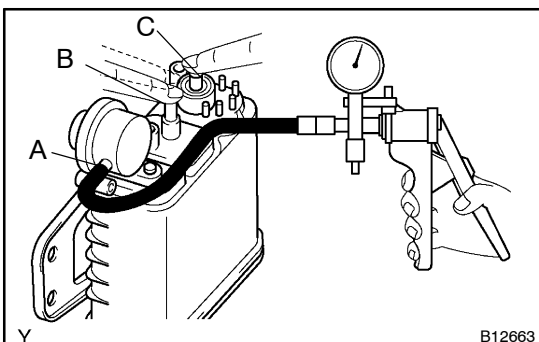
- (a) Disconnect the 3 hoses.
- (b) Remove the 3 nuts and charcoal canister assembly.

5. INSPECT CHARCOAL CANISTER

- (a) Visually check the charcoal canister for cracks or damage.
- (b) Remove the drain hose.

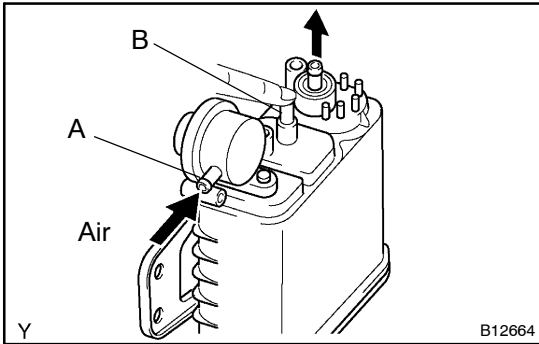


- (c) Using low pressure compressed air (9.8 kPa (100 gf/cm², 1.42 psi)), blow into port A and check that air flows without resistance from the other parts.



- (d) Apply vacuum (1.96 kPa (20 gf/cm², 0.28psi)) to port A, check that the vacuum does not decrease when port B and C are closed, and check that vacuum does not decrease when port B is released.

If a problem is found, replace the charcoal canister.



6. CLEAN FILTER IN CANISTER

Clean the filter by blowing 19.6 kPa (200 gf/cm², 2.8psi) of compressed air into port A while holding port B closed.

NOTICE:

- Do not attempt to wash the canister.
- No activated carbon should come out.

7. REINSTALL CHARCOAL CANISTER