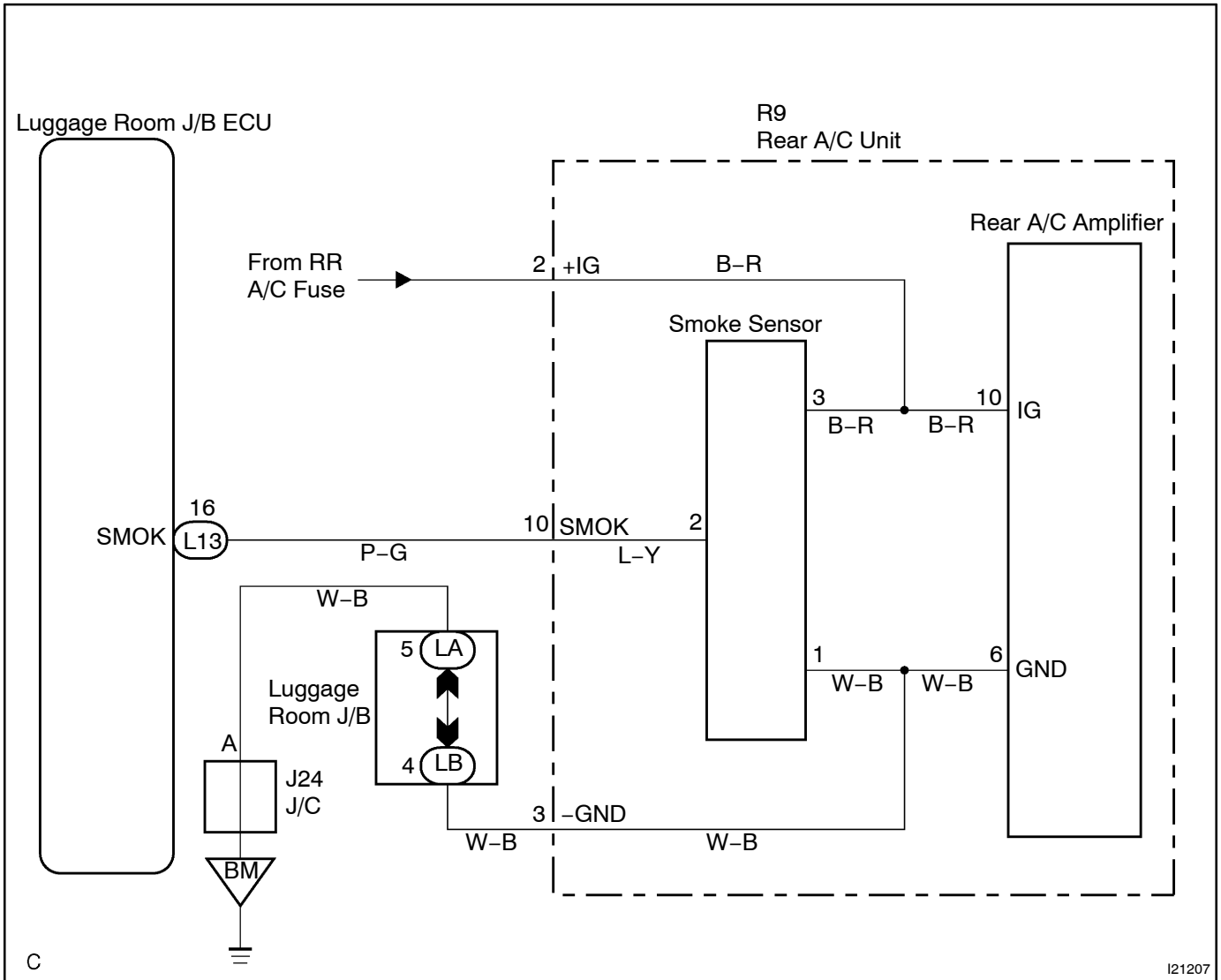


Smoke Sensor Circuit

CIRCUIT DESCRIPTION

This sensor detects the smoke inside the cabin and sends the appropriate signals to the luggage room J/B ECU.

WIRING DIAGRAM

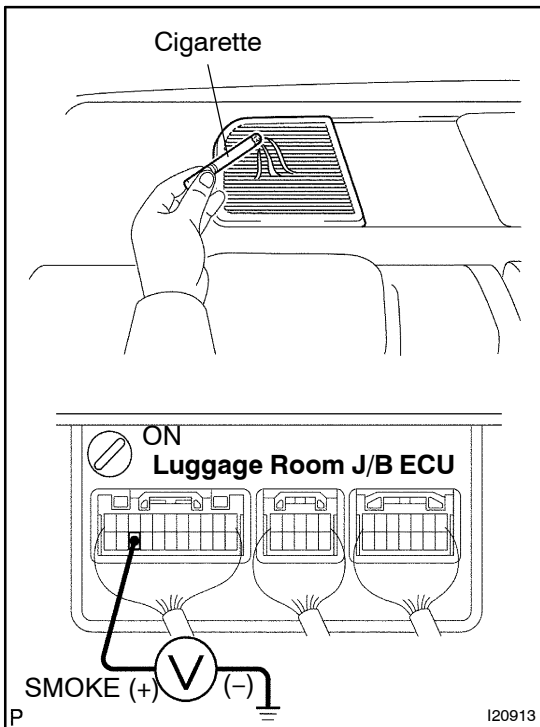


C

I21207

INSPECTION PROCEDURE

- | | |
|----------|--|
| 1 | Check voltage between terminal SMOKE of luggage room J/B ECU connector and body ground. |
|----------|--|

**PREPARATION:**

Remove luggage room J/B ECU with connectors still connected.

CHECK:

- (a) Turn ignition switch to ON.
- (b) Operate rear A/C control panel AUTO mode.
- (c) By using cigarette smoke, measure voltage between terminals SMOKE of luggage room J/B ECU and body ground.

OK:

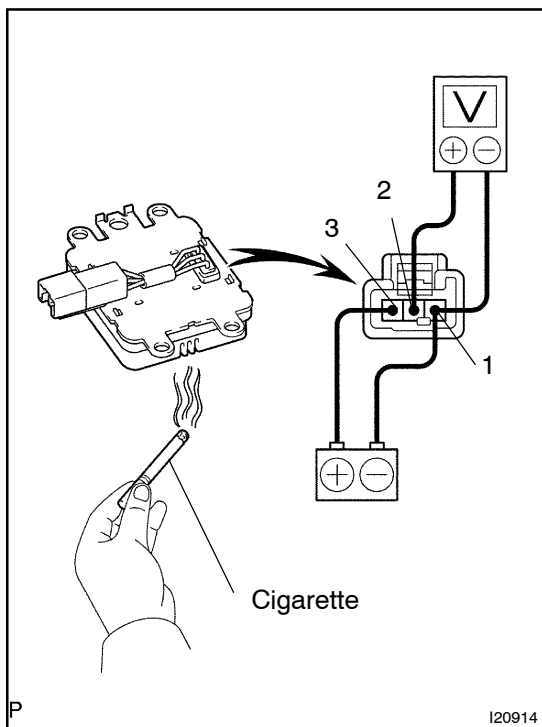
Voltage: Above 4.0 V

OK

Go to step 4.

NG

2 Check smoke sensor.



PREPARATION:

Remove the smoke sensor (See page AC-38).

CHECK:

- Connect the positive (+) lead from the battery to terminal 1 and the negative (-) lead to terminal 3.
- By using cigarette smoke, measure the voltage as connector terminal 2 and 3.

OK:

There is no smoke: Below 1.0V

There is smoke: Above 4.0V

NOTICE:

Since the sensor detects smoke with light, check the sensor in dark state.

NG

Replace smoke sensor.

OK

3 Check harness and connector between smoke sensor and Rr-J/B ECU (See page IN-35).

NG

Repair or replace harness or connector.

OK

4 Check harness and connector between smoke sensor and A/C amplifier, smoke sensor and body ground (See page IN-35).

NG

Repair or replace harness or connector.

OK

Check and replace Rr-J/B ECU.