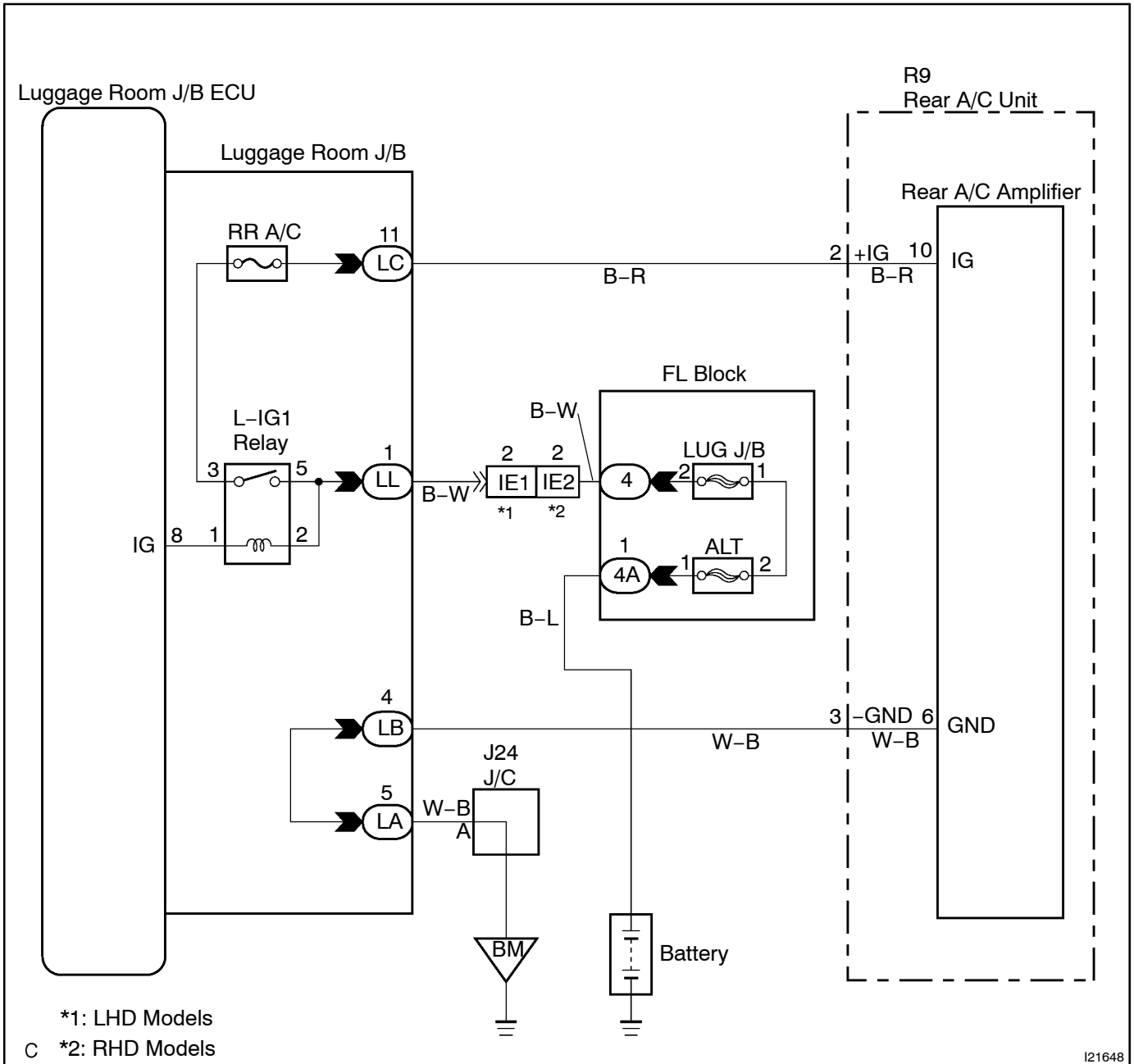


Rear IG Power Source Circuit

CIRCUIT DESCRIPTION

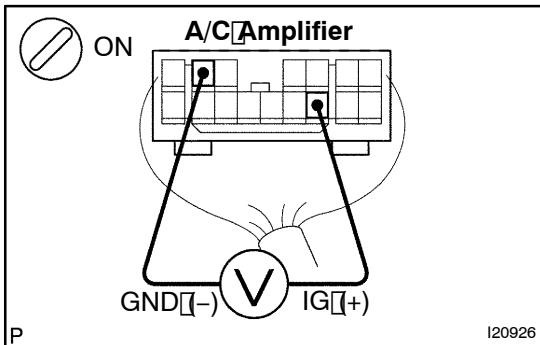
This is the power source for the A/C amplifier and servomotors, etc.

WIRING DIAGRAM



INSPECTION PROCEDURE

1 Check voltage between terminal IG and GND of A/C amplifier connector.

**PREPARATION:**

Remove the A/C amplifier with connectors still connected.

CHECK:

- Turn ignition switch to ON.
- Measure voltage between terminals IG and GND of A/C amplifier.

OK:

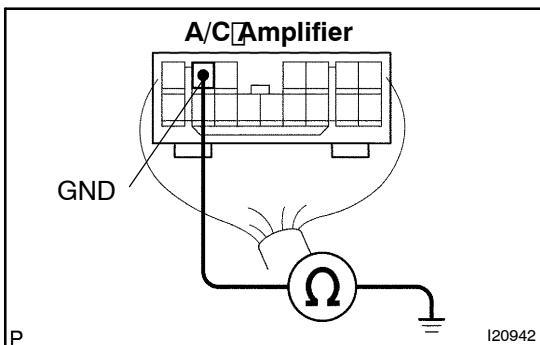
Voltage: Battery voltage

OK

Proceed to next circuit inspection shown on problem symptoms table (See page DI-1772).

NG

2 Check continuity between terminal GND of A/C amplifier and body ground.

**CHECK:**

Measure resistance between terminal GND of A/C amplifier and body ground.

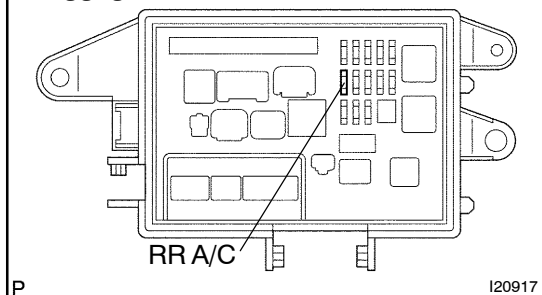
OK:

Resistance: 0 Ω (continuity)

NG

Repair or replace harness or connector.

OK

3 Check RR A/C fuse.**Luggage Room J/B****PREPARATION:**

Remove RR A/C fuse from luggage room J/B.

CHECK:

Check continuity of RR A/C fuse.

OK:

Continuity exists

NG

Check for short in all the harness and components connected to the RR A/C fuse.

OK

Check and repair harness and connector between A/C amplifier and battery.