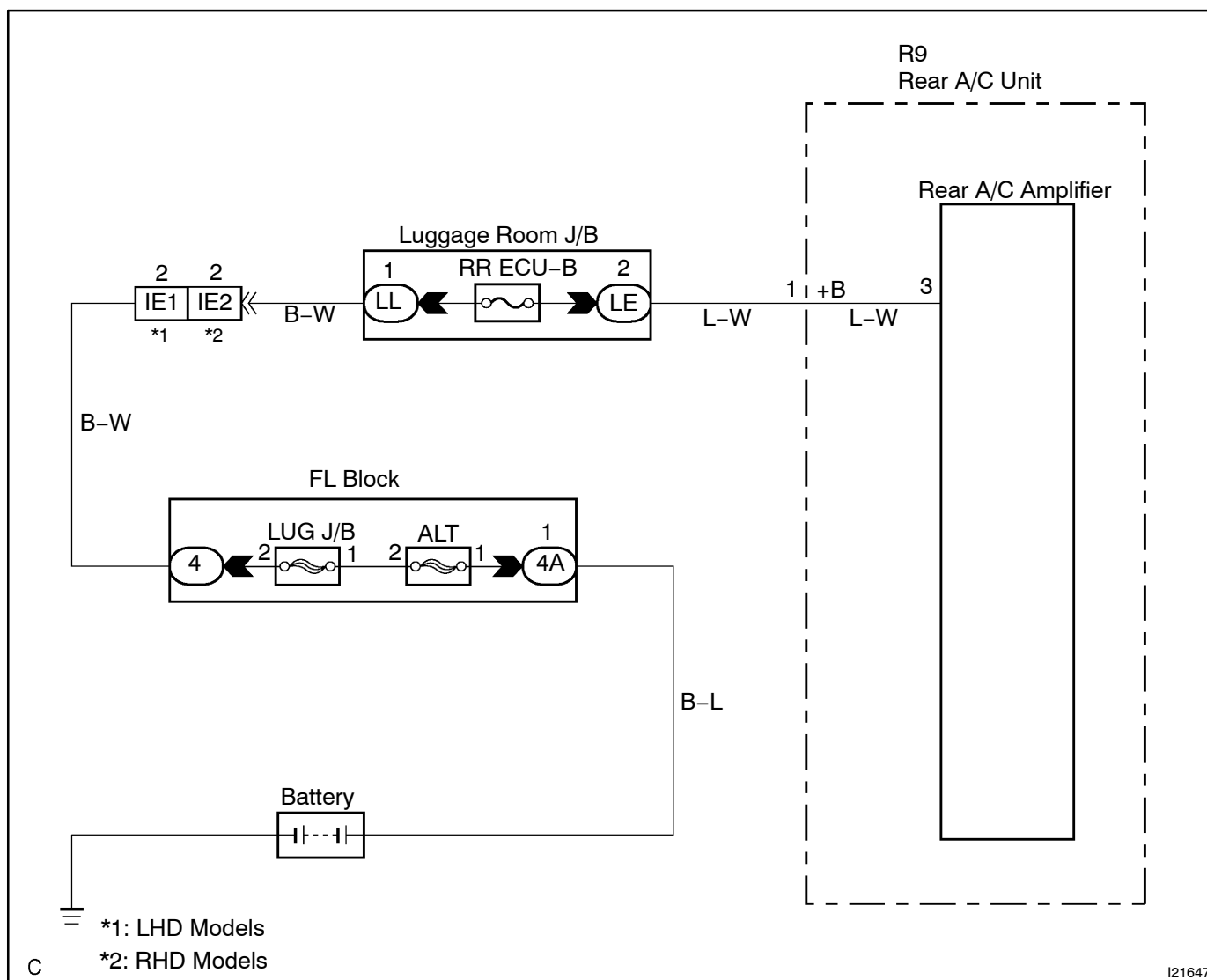


## Rear Back Up Power Source Circuit

### CIRCUIT DESCRIPTION

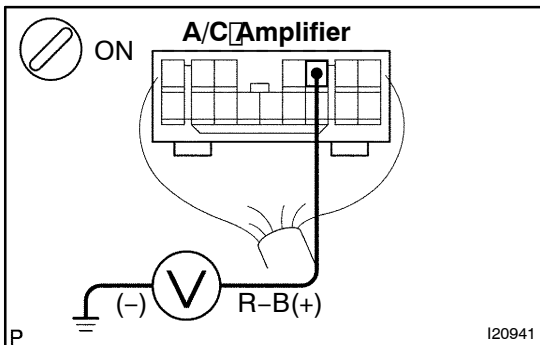
This is the backup power source for the A/C amplifier. Power is supplied even when the ignition switch is off and is used for diagnostic trouble code memory, etc.

### WIRING DIAGRAM



## INSPECTION PROCEDURE

- 1 Check voltage between terminal R-B of A/C amplifier connector and body ground.

**PREPARATION:**

Remove the A/C amplifier with connector still connected.

**CHECK:**

Measure voltage between terminal R-B of A/C amplifier connector and body ground.

**OK:**

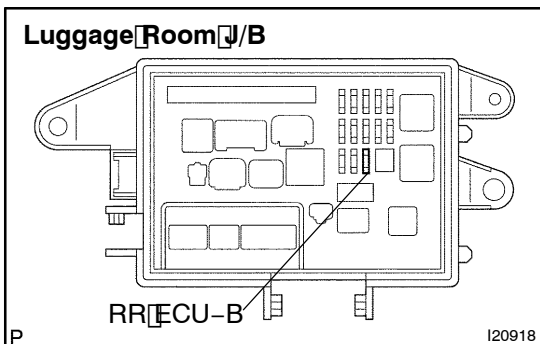
**Voltage: Battery voltage**

OK

Proceed to next circuit inspection shown on problem symptoms table (See page DI-1772).

NG

- 2 Check RR ECU-B fuse.

**PREPARATION:**

Remove RR ECU-B fuse from luggage room J/B

**CHECK:**

Check continuity of RR ECU-B fuse.

**OK:**

**Continuity**

NG

Check for short in all the harness and components connected to the RR ECU-B fuse (See attached wiring diagram).

OK

Check and repair harness and connector between A/C amplifier and battery.