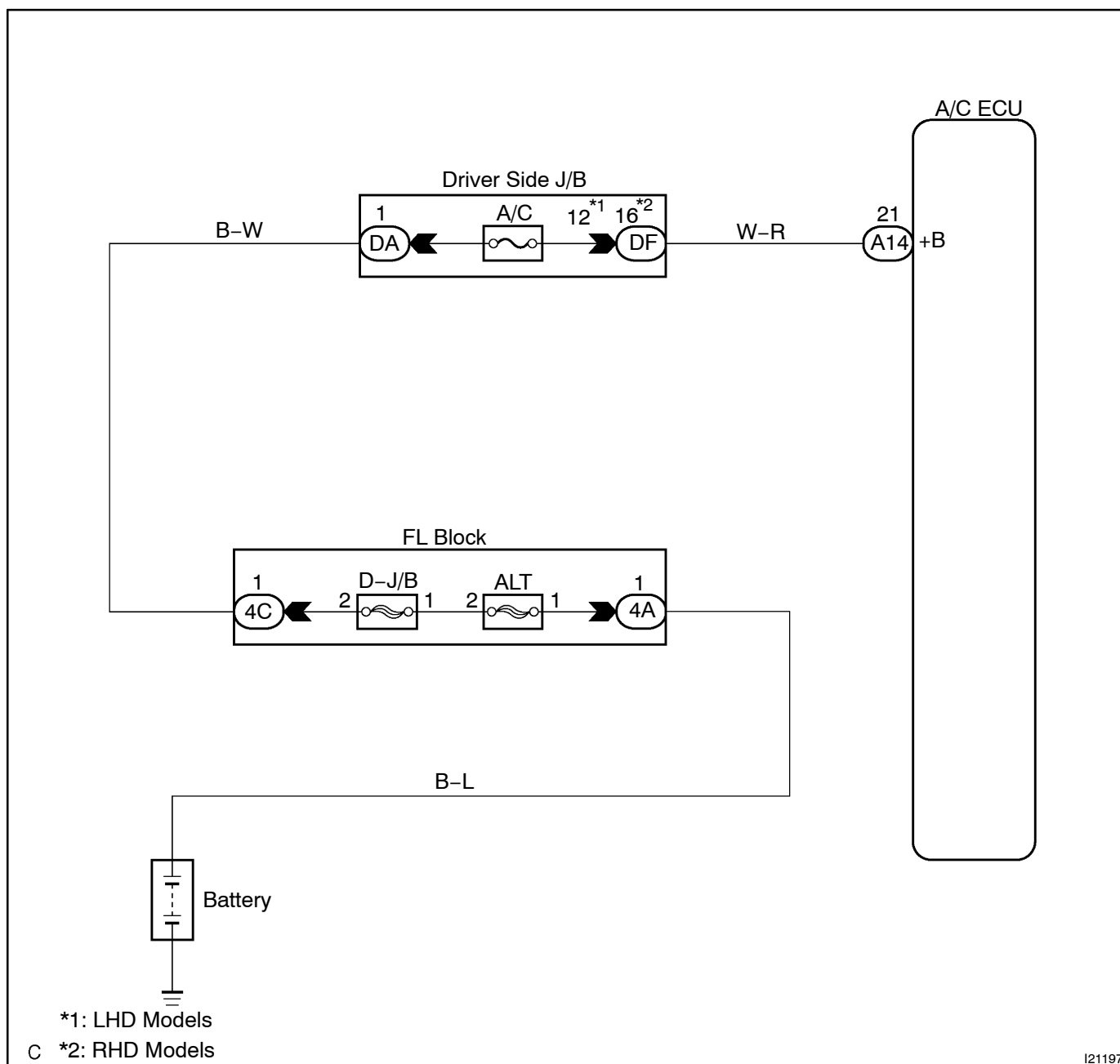


## Back Up Power Source Circuit

### CIRCUIT DESCRIPTION

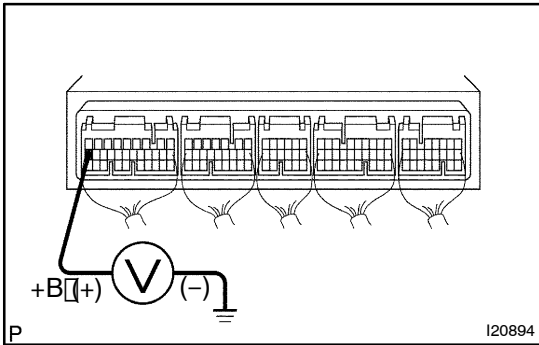
This is the back up power source for the A/C ECU. Power is supplied even when the ignition switch is off and is used for DTC memory, etc.

### WIRING DIAGRAM



## INSPECTION PROCEDURE

1 Check voltage between terminal +B of A/C ECU connector and body ground.

**PREPARATION:**

Remove the A/C ECU with connectors still connected.

**CHECK:**

Measure voltage between terminal +B of A/C ECU connector and body ground.

**OK:**

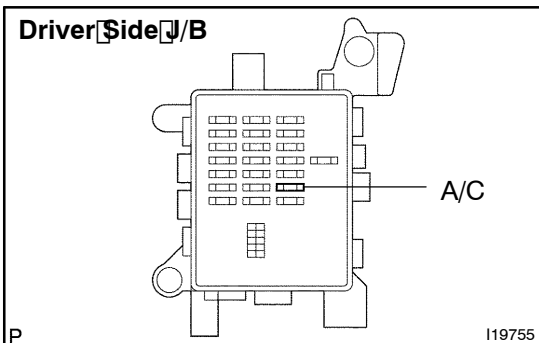
Voltage: Battery voltage

OK

Proceed to next circuit inspection shown on problem symptoms table (See page DI-1772).

NG

2 Check A/C fuse.

**PREPARATION:**

Remove A/C fuse from driver side J/B.

**CHECK:**

Check continuity of A/C fuse.

**OK:**

Continuity exists

NG

Check for short in all the harness and components connected to the A/C fuse (See attached wiring diagram).

OK

Check and repair harness and connector between A/C ECU and battery.