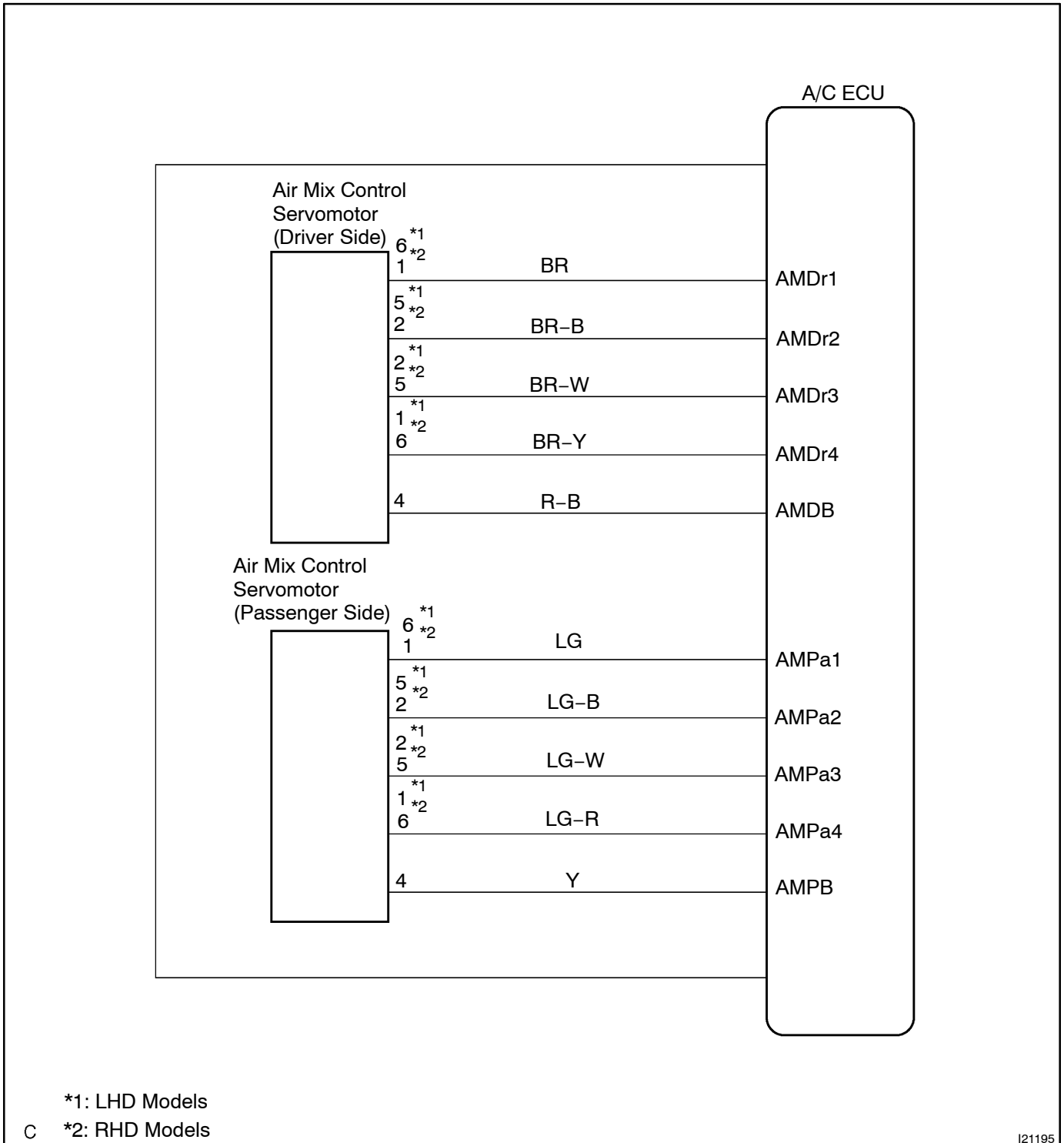


# Air Mix Damper Control Servomotor Circuit

## CIRCUIT DESCRIPTION

This circuit turns the servomotor and changes each mode damper position by the signals from the A/C ECU. When the AUTO switch is ON, the air mix damper changes automatically.

## WIRING DIAGRAM



**INSPECTION PROCEDURE****1 Actuator check.****PREPARATION:**

- (a) Warm up engine.
- (b) Set to the actuator check mode (See page DI-1757).
- (c) Press the UP switch and change it to step operation.

**CHECK:**

Press the UP temperature control switch and check the operation of the air mix damper and the condition of the blower.

**OK:**

Display Code	Air Mix Damper	Condition
0 - 3	0 % (Fully closed)	Cool air comes out
4 - 6	50 %	-
7 - 9	100 % (Fully opened)	Warm air comes out

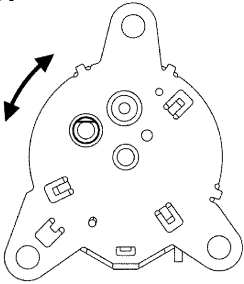
**OK**

Proceed to next circuit inspection shown on problem symptoms table (See page DI-1772).

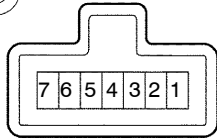
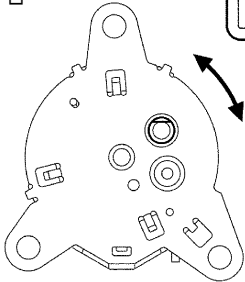
**NG**

## 2 Check air mix damper control step motor.

LHD:



RHD:



I20912

**PREPARATION:**

Remove air mix damper control step motor  
(See page AC-78).

**CHECK:**

Measure resistance between terminals 3 and other terminals.

**OK:****Resistance**

Terminal No.					Standard Value
1	2	3	4	5	
(-)		(+)			16.0 - 18.0 Ω
	(-)	(+)			16.0 - 18.0 Ω
		(+)	(-)		16.0 - 18.0 Ω
		(+)		(-)	16.0 - 18.0 Ω

NG

Replace air mix damper control servomotor.

OK

## 3 Check harness and connector between A/C ECU and air mix damper control servomotor, air mix damper control servomotor and battery, air mix damper control servomotor and body ground (See page IN-35).

NG

Repair or replace harness or connector.

OK

Check and replace A/C ECU.