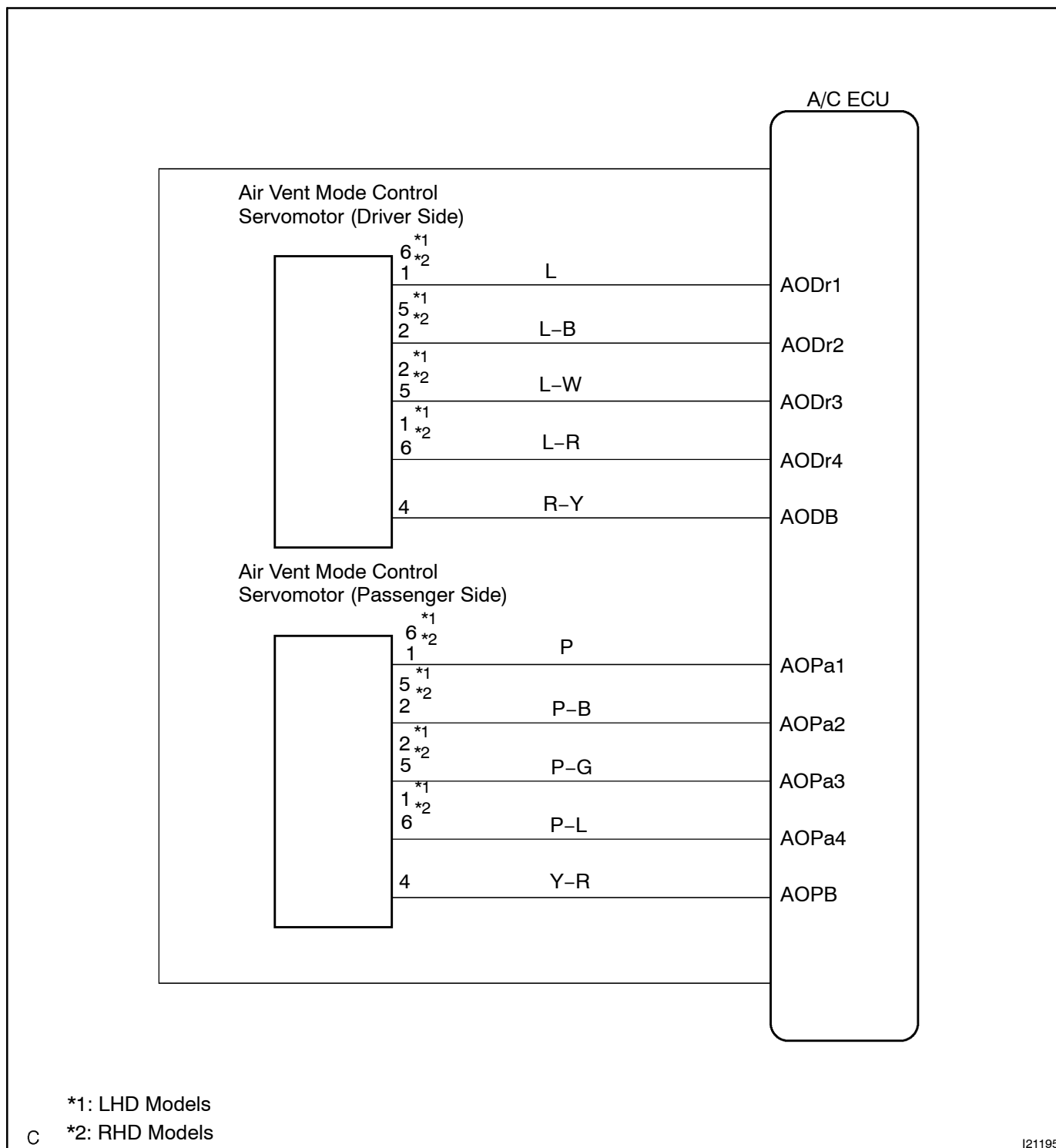


Air Vent Mode Damper Control Servomotor Circuit

CIRCUIT DESCRIPTION

This circuit turns the servomotor and changes each mode damper position by the signals from the A/C ECU. When the AUTO switch is ON, the A/C ECU changes the mode automatically between FACE, BI-LEVEL and FOOT according to the temperature setting.

WIRING DIAGRAM



INSPECTION PROCEDURE

1 Actuator check.

Display Code	Air Flow Mode
0 - 3	FACE
4 - 5	BI-LEVEL
6 - 7	FOOT
8	FOOT/DEF
9	DEF

PREPARATION:

- (a) Set to the actuator check mode (See page DI-1757).
 (b) Press the UP switch and change to step operation.

CHECK:

Press the UP switch in order and check the condition of air flow mode.

OK:

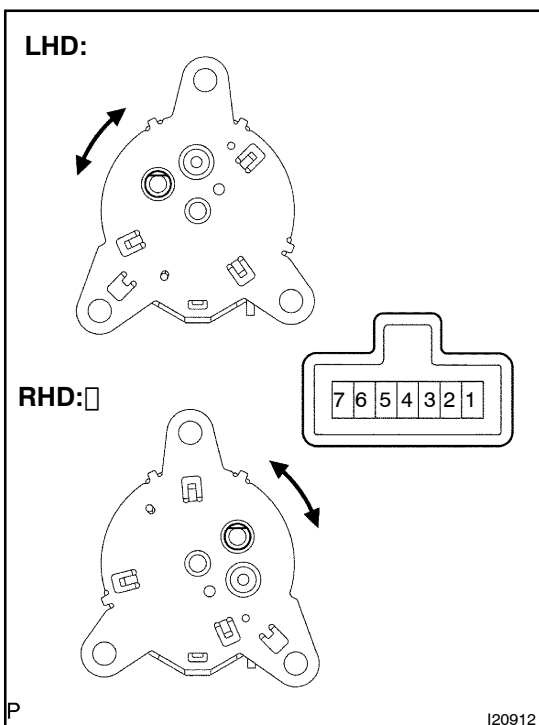
The mode changes with the change in the temperature display, as shown in the table.

OK

Proceed to next circuit inspection shown on problem symptoms table (See page DI-1772).

NG

2 Check air vent mode damper control step motor.

**PREPARATION:**

Remove air vent mode damper control step motor (See page AC-79).

CHECK:

Measure resistance between terminals 3 and other terminals.

OK:**Resistance**

Terminal No.					Standard Value
1	2	3	4	5	
⊖		⊕			16.0 - 18.0 Ω
	⊖	⊕			16.0 - 18.0 Ω
		⊕	⊖		16.0 - 18.0 Ω
		⊕		⊖	16.0 - 18.0 Ω

○ : Battery terminal

NG

Replace air vent mode control step motor.

OK

3 Check harness and connector between A/C ECU and A/V mode damper control step motor, A/V mode damper control step motor and battery, A/V mode damper control step motor and body ground (See page IN-35).

NG

Repair or replace harness or connector.

OK

Repair or replace A/C ECU.