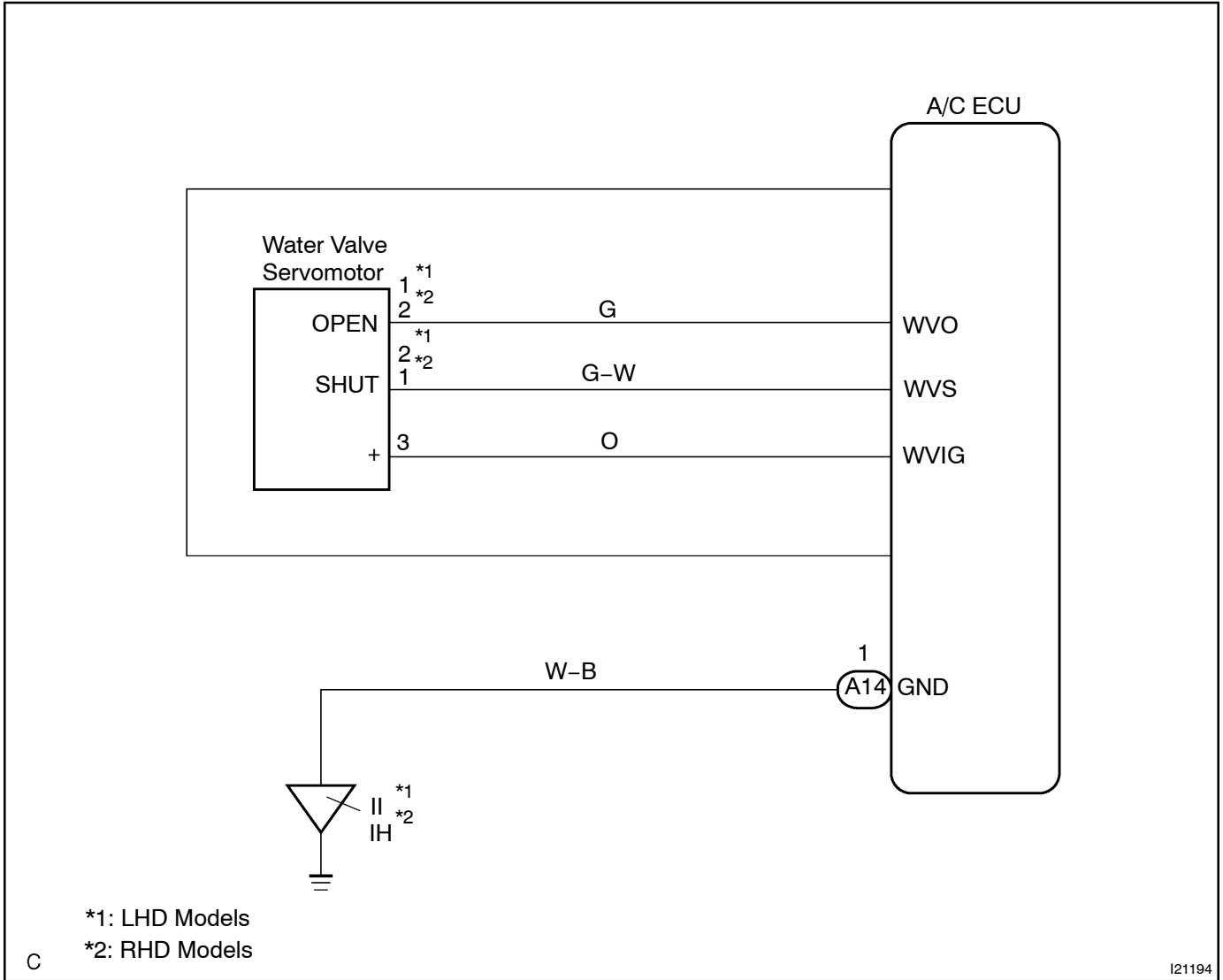


# Water Valve Control Servomotor Circuit

## CIRCUIT DESCRIPTION

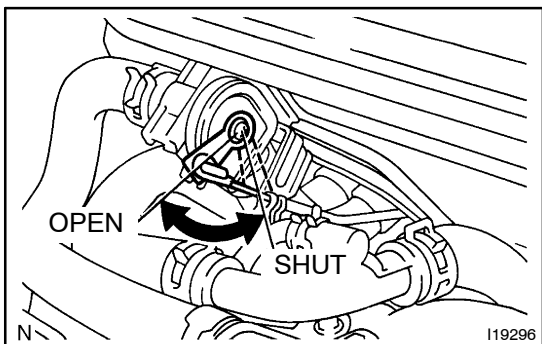
This circuit turns the servomotor and changes each mode damper position by the signals from the A/C ECU.

## WIRING DIAGRAM



## INSPECTION PROCEDURE

## 1 Actuator check.

**PREPARATION:**

- (a) Set to the actuator check mode (See page DI-1757).  
 (b) Press the UP switch and change it to step operation.

**CHECK:**

Press the UP switch in order and check the operation of water valve.

**OK:**

The condition of the water valve changes with the change in the temperature display, as shown in the table.

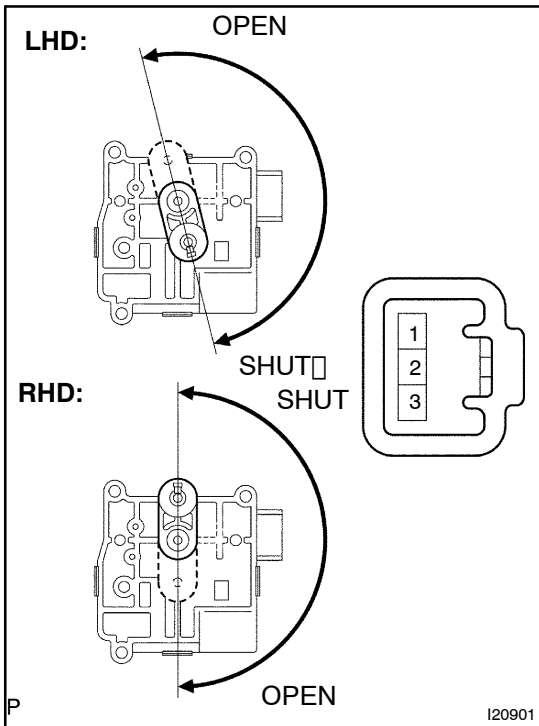
Display Code	Water Valve
0 - 2	SHUT
3 - 9	OPEN

OK

Proceed to next circuit inspection shown on problem symptoms table (See page DI-1772).

NG

## 2 Check water valve control servomotor.



### PREPARATION:

Remove water valve control servomotor (See page AC-26, AC-80).

### CHECK:

Connect positive (+) lead to terminal 1 and negative (-) lead to terminal 3 (2).

( ): RHD models

### OK:

The lever moves smoothly to OPEN position.

### CHECK:

Connect negative (-) lead to terminal 1 and positive (+) lead to terminal 2 (3).

( ): RHD models

### OK:

The lever moves smoothly to SHUT position.

NG

Replace water valve control servomotor assembly.

OK

## 3 Check harness and connector between A/C ECU and water valve control servomotor (See page IN-35).

NG

Repair or replace harness or connector.

OK

Check and replace A/C ECU.