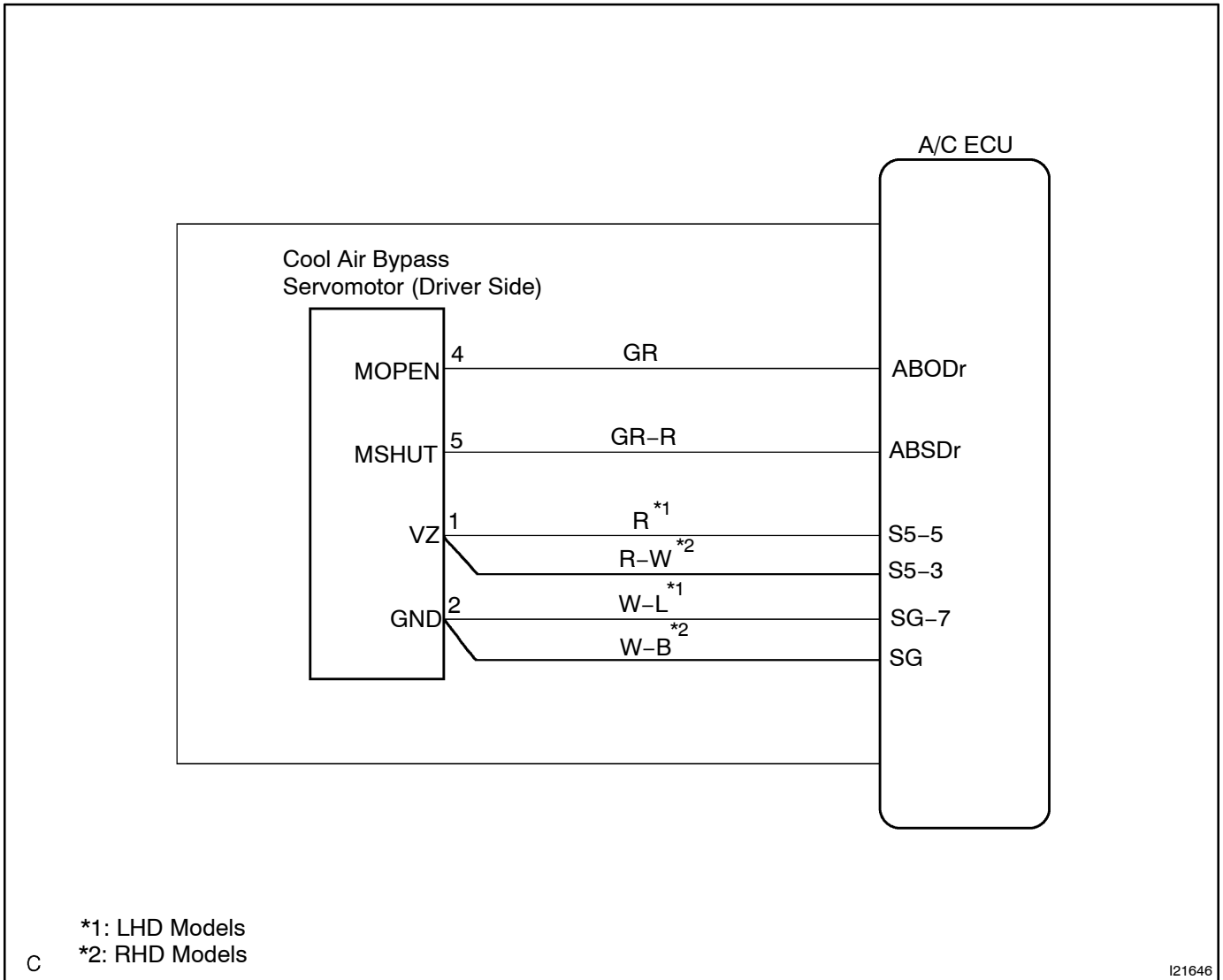


Cool Air Bypass Damper Control Servomotor Circuit (Driver Side)

CIRCUIT DESCRIPTION

The cool air bypass damper control servomotor is controlled by the A/C ECU and moves the cool air bypass damper to the desired position.

WIRING DIAGRAM



INSPECTION PROCEDURE

1 Actuator check.

PREPARATION:

(a) Set to the actuator check mode (See page DI-1757).

(b) Press the UP switch and change it to step operation.

CHECK:

Push the temperature control switch and check that the cool air bypass damper operates with changes in the vent blower output and damper operation noise.

OK:

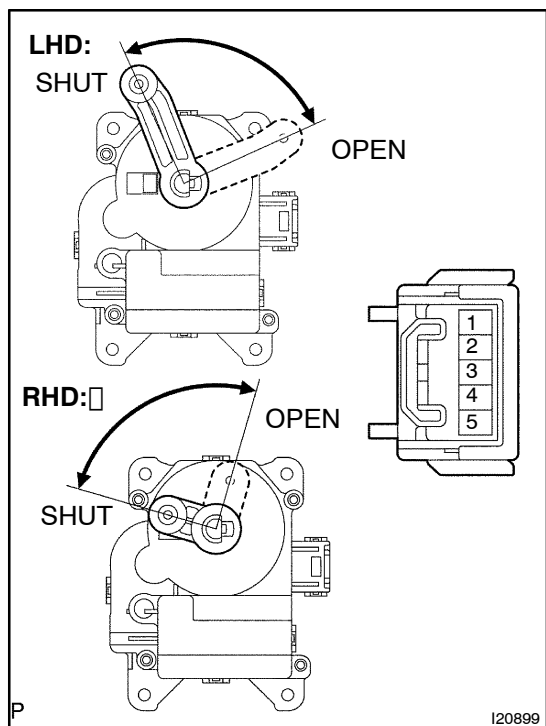
Display Code	Max. Cool Damper
0 - 2	Open
3 - 9	Shut

OK

Proceed to next circuit inspection shown on problem symptoms table (See page DI-1772).

NG

2 Check cool air bypass damper control servomotor.

**PREPARATION:**

Remove cool air bypass damper control servomotor (See page AC-79).

CHECK:

Connect positive (+) lead to terminal 5 and negative (-) lead to terminal 4.

OK:

The lever moves smoothly to SHUT position.

CHECK:

Connect negative (-) lead to terminal 4 and positive (+) lead to terminal 5.

OK:

The lever moves smoothly to OPEN position.

NG

Replace cool air bypass damper control servomotor.

OK

3 Check harness and connector between A/C ECU and cool air bypass damper control servomotor, cool air bypass damper control servomotor and battery (See page IN-35).

NG

Repair or replace harness or connector.

OK

Check and replace A/C ECU.