

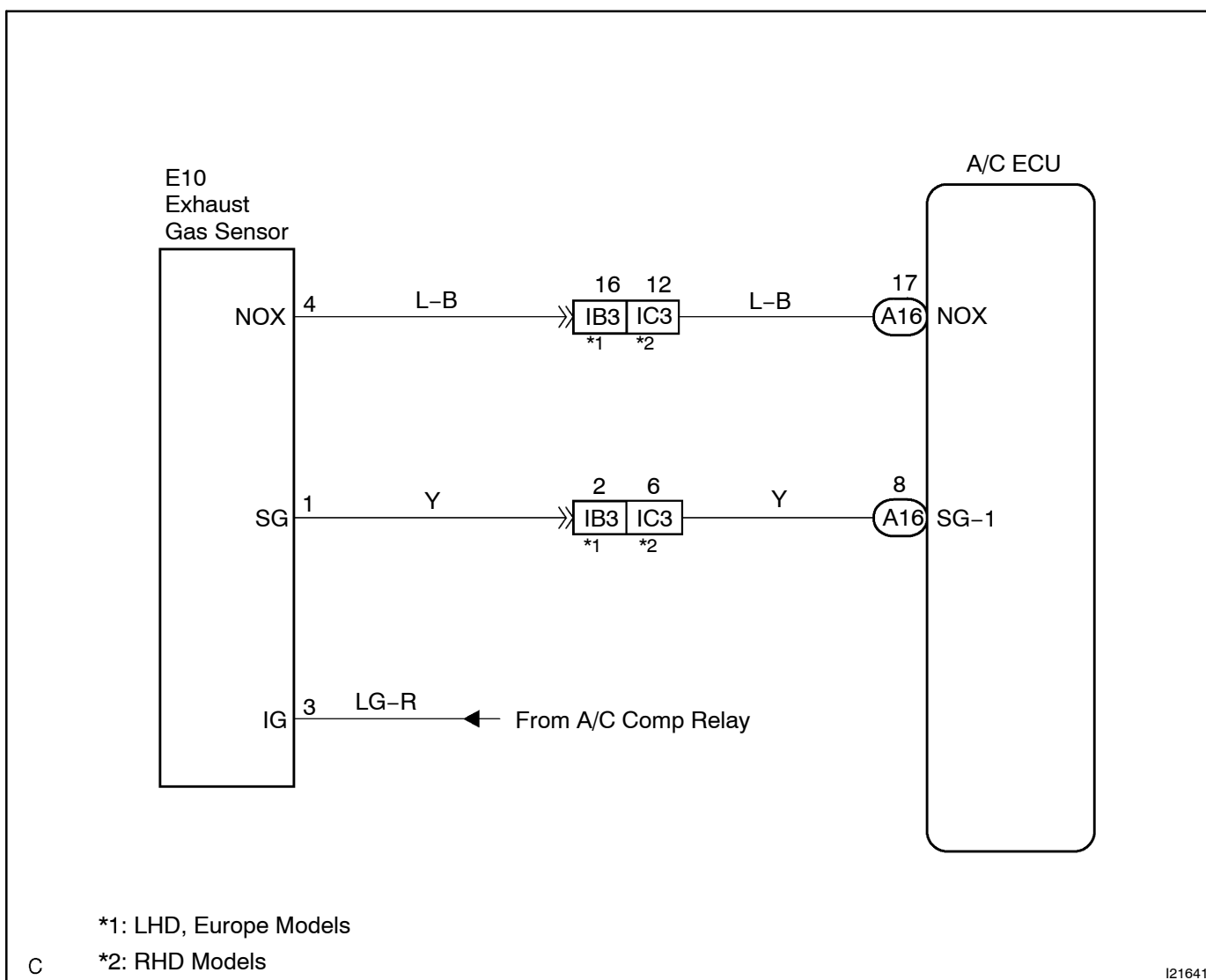
DTC	B1461/61	Exhaust Gas Sensor Circuit (NOx)
------------	-----------------	---

CIRCUIT DESCRIPTION

This sensor detects the exhaust gas (NOx) outside the vehicle and sends signal to the A/C ECU.

DTC No.	Detection Item	Trouble Area
B1461/61	Short in exhaust gas sensor circuit	<ul style="list-style-type: none"> Exhaust gas sensor. Harness or connector between exhaust gas sensor and A/C ECU. A/C ECU.

WIRING DIAGRAM



INSPECTION PROCEDURE

HINT:

In case of using the hand-held tester, start the inspection step 1 and in case of not using the hand-held tester, start from step 2.

1 Check exhaust gas sensor using hand-held tester.

PREPARATION:

Connect the hand-held tester to the DLC3.

CHECK:

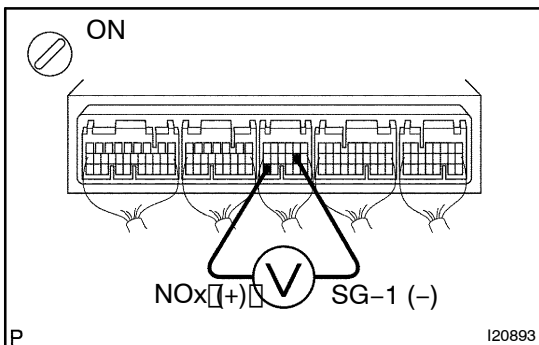
Check the exhaust gas sensor using DATA LIST.

OK

Check and replace A/C ECU.

NG

2 Check voltage between terminals NOx and SG-1 of A/C ECU connector.



PREPARATION:

Remove A/C ECU with connectors still connected.

CHECK:

- Turn ignition switch to ON.
- After continuing to turn ignition switch ON for more than 120 seconds, check voltage between terminals NOx and SG-1 of A/C ECU connector at the temperature.

OK:

Voltage:

1.0 - 4.5 V at 10 - 35 °C (50 - 95 °F)

HINT:

When the sensor is exposed to the exhaust gas, the voltage goes down.

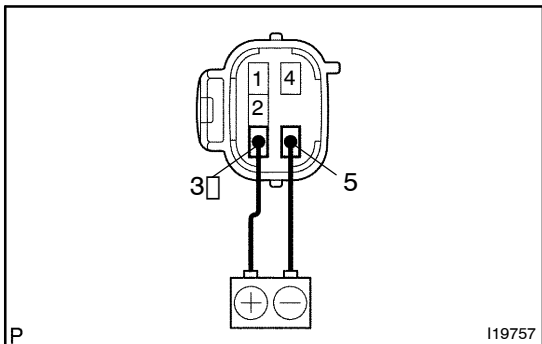
NG

Go to step 3.

OK

Proceed to next circuit inspection shown on problem symptoms table (See page DI-1772). However, if DTC B1461/61 is displayed, check and replace A/C ECU.

3 Check exhaust gas sensor resistance.



PREPARATION:

Remove the exhaust gas sensor (See page AC-87).

CHECK:

- Connect positive (+) lead from the battery to the terminal 3 and negative (-) lead to terminal 5.
- After keeping to apply battery voltage between terminals 3 and 5 for more than 20 seconds, measure resistance between terminals 1 and 4.

OK:

Resistance:

1 - 100 kΩ V at 10 - 35 °C (50 - 95 °F)

HINT:

When the sensor is exposed to the exhaust gas, the resistance goes up.

NG

Replace exhaust gas sensor.

OK

4 Check harness and connector between A/C ECU and exhaust gas sensor (See page IN-35).

NG

Repair or replace harness for connector.

OK

Check and replace A/C ECU.