

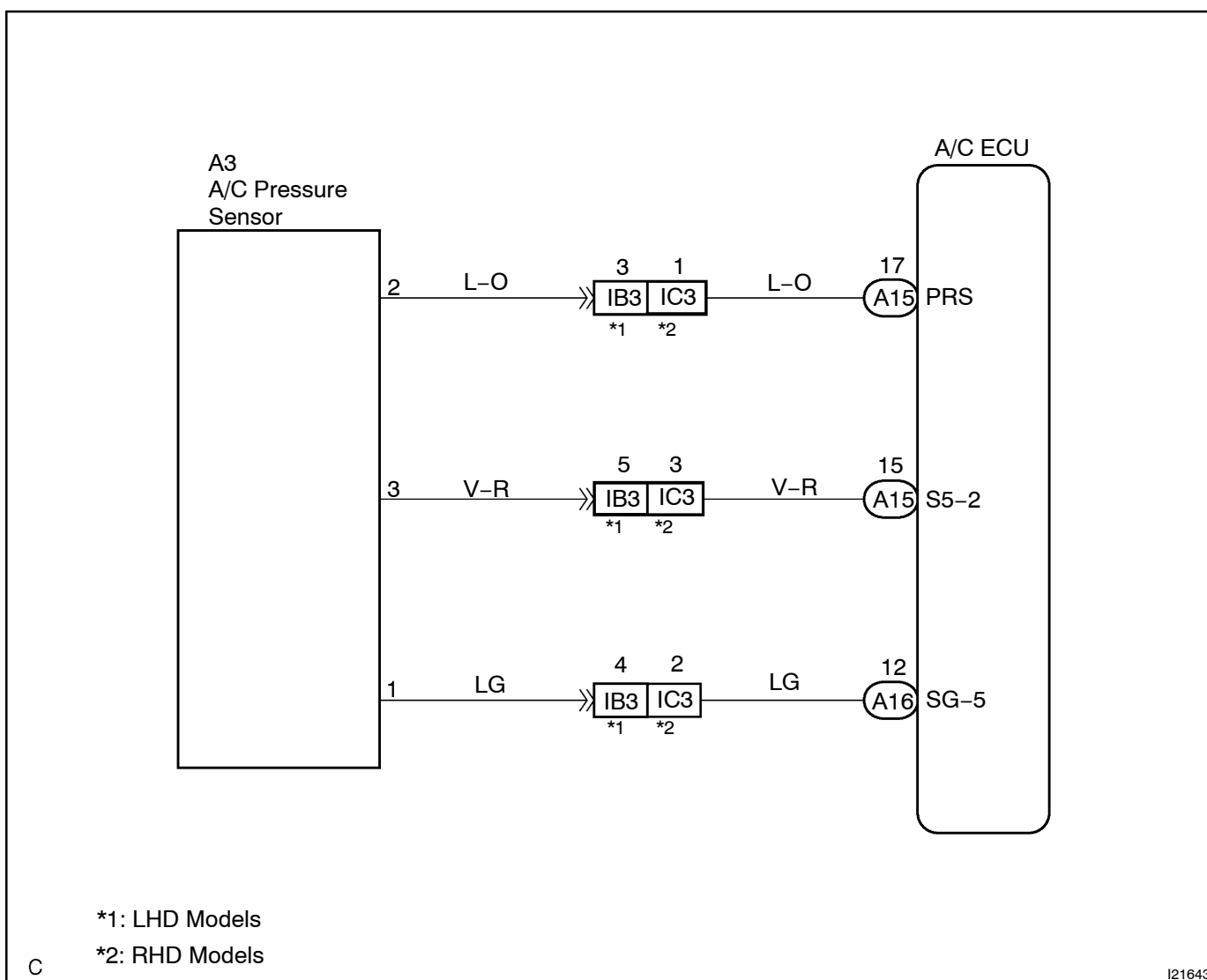
DTC	B1423/23	Pressure Sensor Circuit
------------	-----------------	--------------------------------

CIRCUIT DESCRIPTION

This sensor sends the appropriate signals to the A/C ECU when the abnormality with compressor discharge pressure drops too low or rises too high.

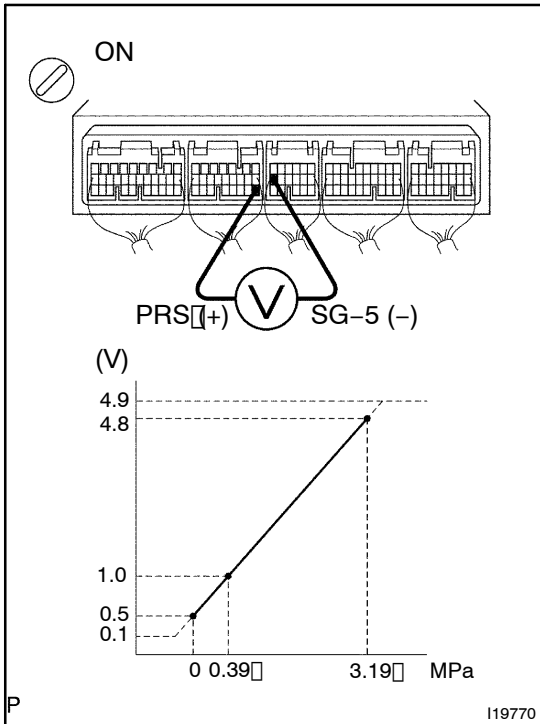
DTC No.	Detection Item	Trouble Area
B1423/23	Open or short in pressure sensor circuit	<ul style="list-style-type: none"> • Abnormality with pressure sensor. • Harness or connector between pressure sensor and A/C ECU. • Refrigerant pipe line. • A/C ECU.

WIRING DIAGRAM



INSPECTION PROCEDURE

1 Check voltage between terminals PRS and SG-5 of A/C ECU connector.

**PREPARATION:**

- Remove A/C ECU with connectors still connected.
- Install manifold gauge set (See page AC-18).

CHECK:

- Turn ignition switch to ON.
- Check voltage between terminals PRS and SG-5 of A/C ECU connector.

OK:

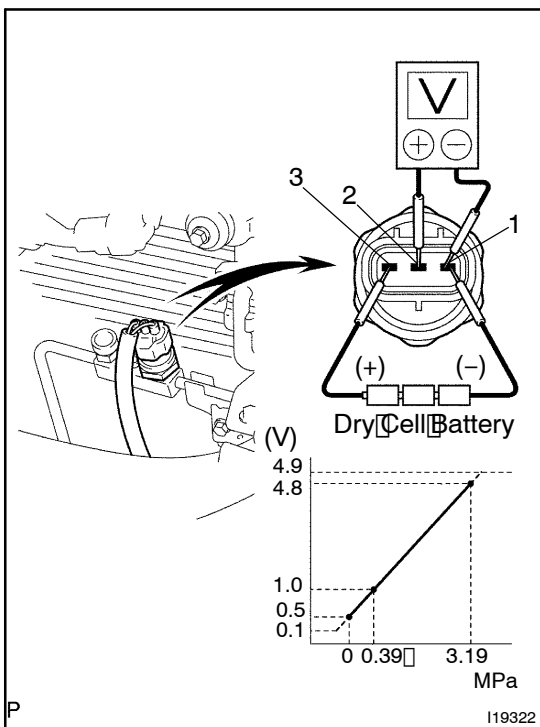
The voltage depends on the refrigerant pressure as shown in the chart.

OK

Proceed to next circuit inspection shown on problem symptoms table (See page DI-1772).

NG

2 Check pressure sensor.



PREPARATION:

- Disconnect pressure sensor connector.
- Install manifold gauge set (See page AC-18).

CHECK:

- Connect the positive (+) lead from the three 1.5V dry cell batteries to terminal 3 and negative (-) lead to terminal 1.
- Check voltage between terminals 2 and 1 of pressure sensor.

OK:

The voltage depends on the refrigerant pressure as shown in the chart.

NG

Replace pressure sensor.

OK

3 Check harness and connector between A/C ECU and pressure sensor (See page IN-35).

NG

Repair or replace harness or connector.

OK

Check and replace A/C ECU.