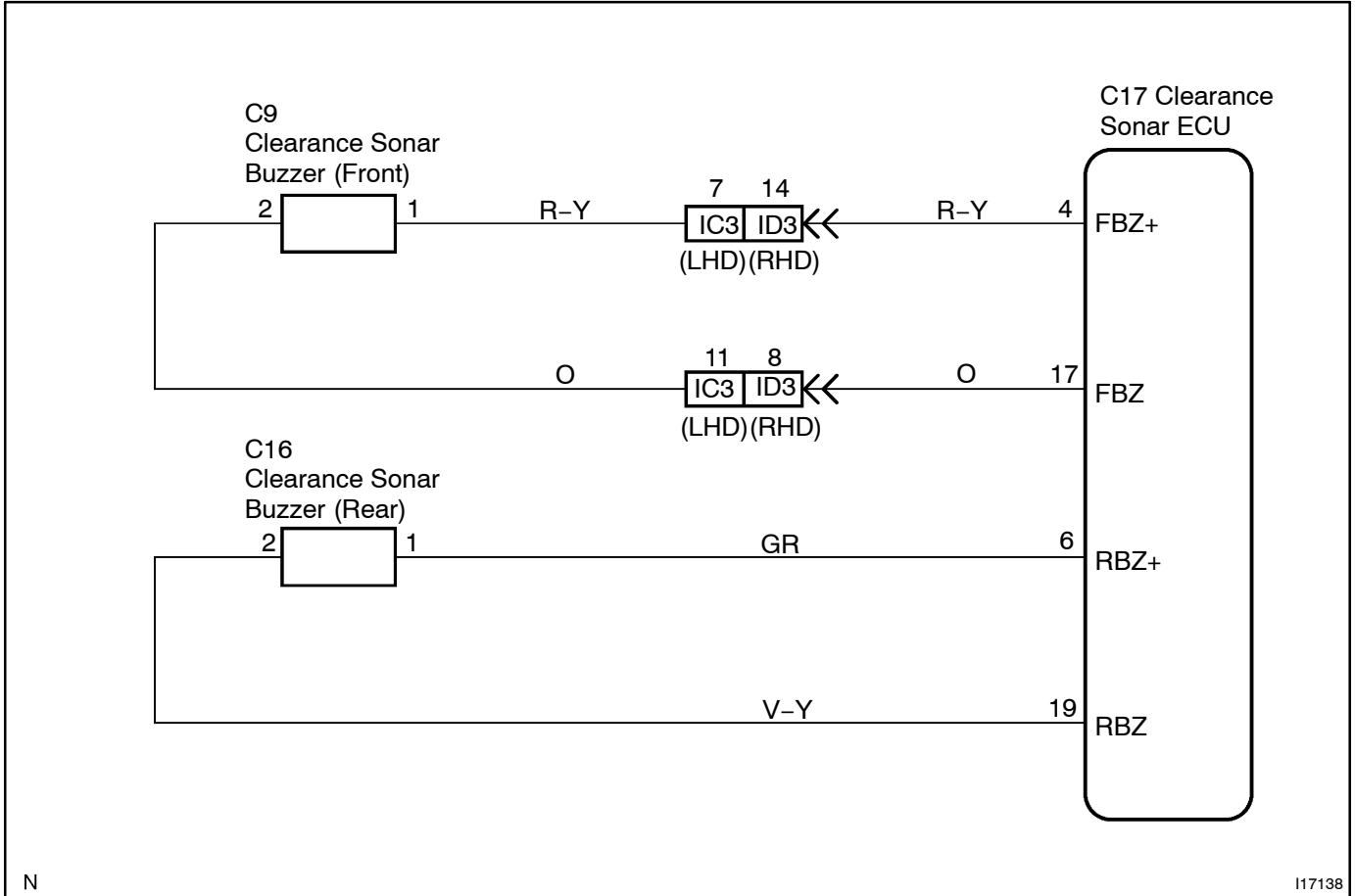


Clearance Sonar Buzzer Circuit

CIRCUIT DESCRIPTION

The Clearance Sonar ECU receives the ultrasonic sensor signal to sound the clearance sonar buzzer.

WIRING DIAGRAM



N

I17138

INSPECTION PROCEDURE

HINT:

In case of using the LEXUS hand-held tester, start the inspection from step 1 and in case of not using the LEXUS hand-held tester, start from step 2.

1 Check clearance sonar warning buzzer using LEXUS hand-held tester.

PREPARATION:

Connect the LEXUS hand-held tester to the DLC3.

CHECK:

Check that the clearance sonar warning buzzer can operate in ACTIVE TEST.

OK

Proceed to next circuit inspection shown on problem symptom table (See page DI-1728).

NG

2 Check clearance sonar warning buzzer (See page BE-183).

NG

Replace clearance sonar warning buzzer.

OK

3 Check wire harness and connector between clearance sonar warning buzzer and clearance sonar ECU (See page IN-35).

NG

Repair or replace wire harness or connector.

OK

Proceed to next circuit inspection shown on problem symptom table (See page DI-1728).