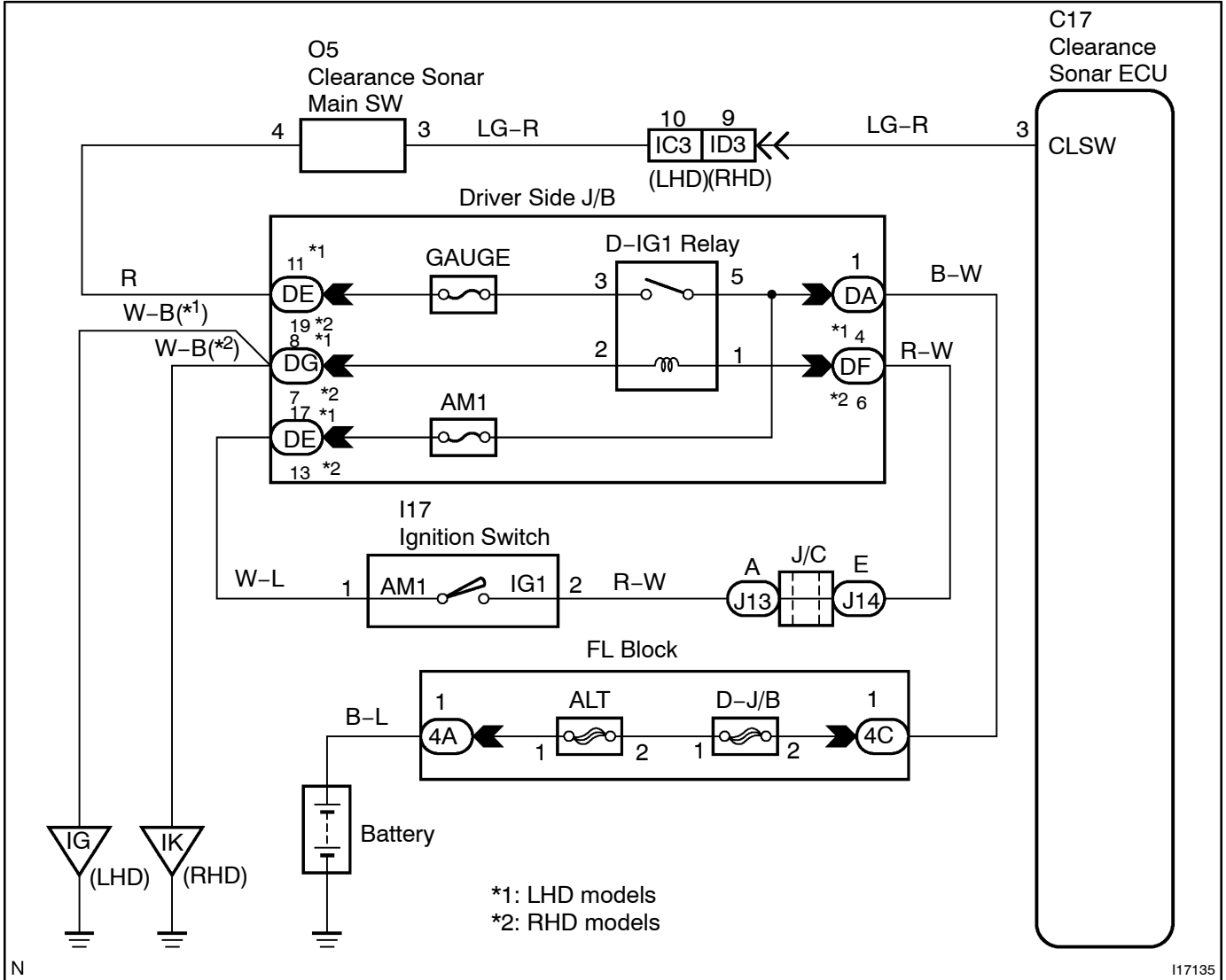


# Clearance Sonar Main Switch Circuit

## CIRCUIT DESCRIPTION

Turning this switch on activates LEXUS park assist system.

## WIRING DIAGRAM



N

I17135

## INSPECTION PROCEDURE

### HINT:

In case of using the LEXUS hand-held tester, start the inspection from step 1 and in case of not using the LEXUS hand-held tester, start from step 2.

**1** Check clearance sonar main switch using LEXUS hand-held tester.

### PREPARATION:

Connect the LEXUS hand-held tester to the DLC3.

### CHECK:

Check the clearance sonar main switch using DATA LIST.

OK

Proceed to next circuit inspection shown on problem symptom table (See page DI-1728).

NG

**2** Check the clearance sonar main switch (See page BE-183).

NG

Replace the clearance sonar main switch.

OK

**3** Check wire harness and connector between clearance sonar main switch and clearance sonar ECU (See page IN-35).

NG

Repair or replace wire harness or connector.

OK

Proceed to next circuit inspection shown on problem symptom table (See page DI-1728).