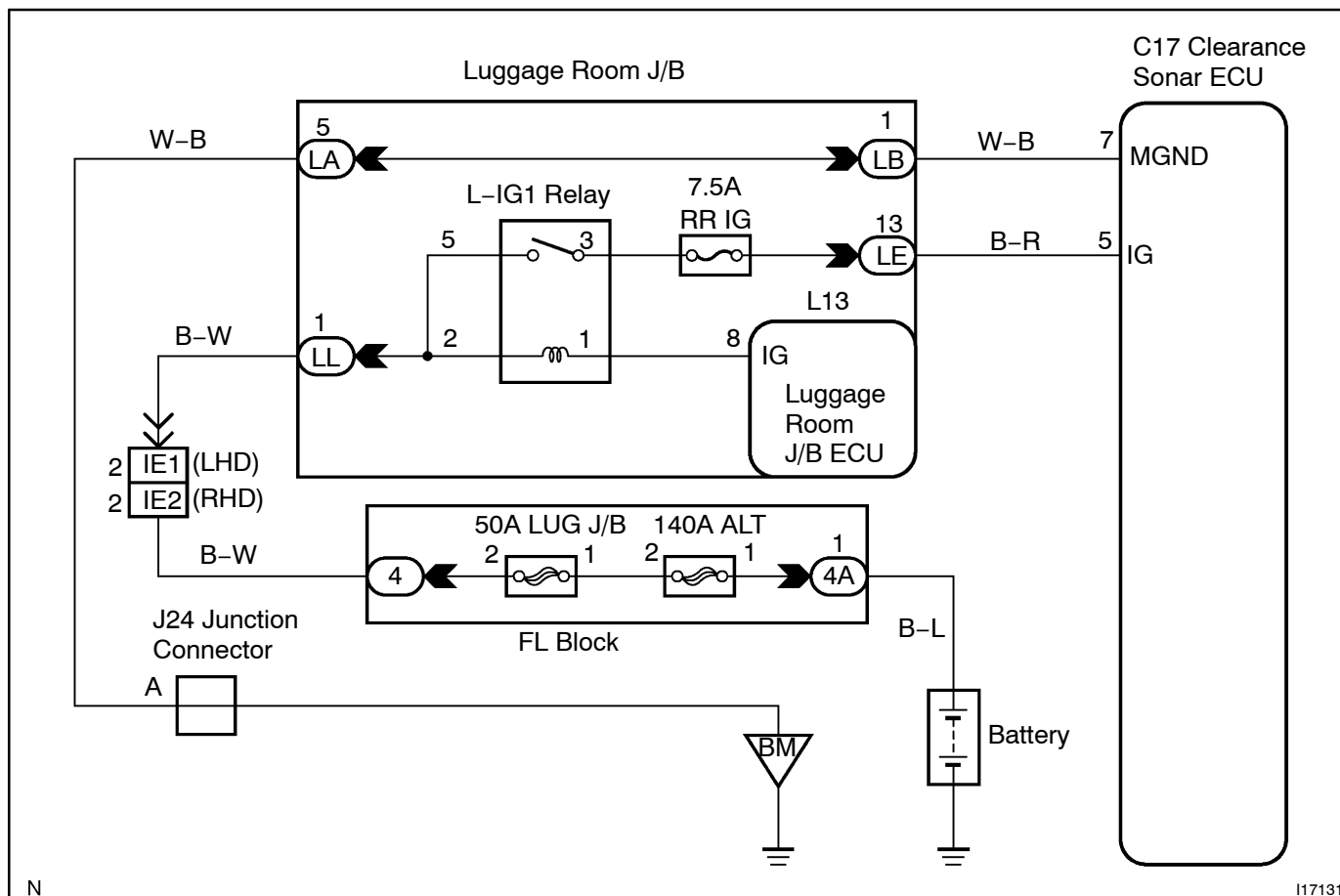


## Power Source Circuit

### CIRCUIT DESCRIPTION

This circuit provides power to operate the clearance sonar ECU.

### WIRING DIAGRAM



### INSPECTION PROCEDURE

- |   |                           |
|---|---------------------------|
| 1 | <b>Check RR IG1 fuse.</b> |
|---|---------------------------|

#### **CHECK:**

Check continuity of RR IG1 fuse.

#### **OK:**

Continuity

NG

Replace the failure fuse.

OK

**2** Check voltage between terminal +B and E of clearance sonar ECU.

**PREPARATION:**

Disconnect the clearance sonar ECU.

**CHECK:**

Measure voltage between terminals +B and E of the clearance sonar ECU.

**OK:**

**Voltage: 10 – 14V**

**OK**

Proceed to next circuit inspection shown on problem symptoms table (See page DI-1728).

**NG**

**3** Check wireharness and connector between clearance sonar ECU and body ground (See page IN-35).

**NG**

Repair or replace wireharness or connector.

**OK**

Check and repair wireharness and connector between ECU and battery.