

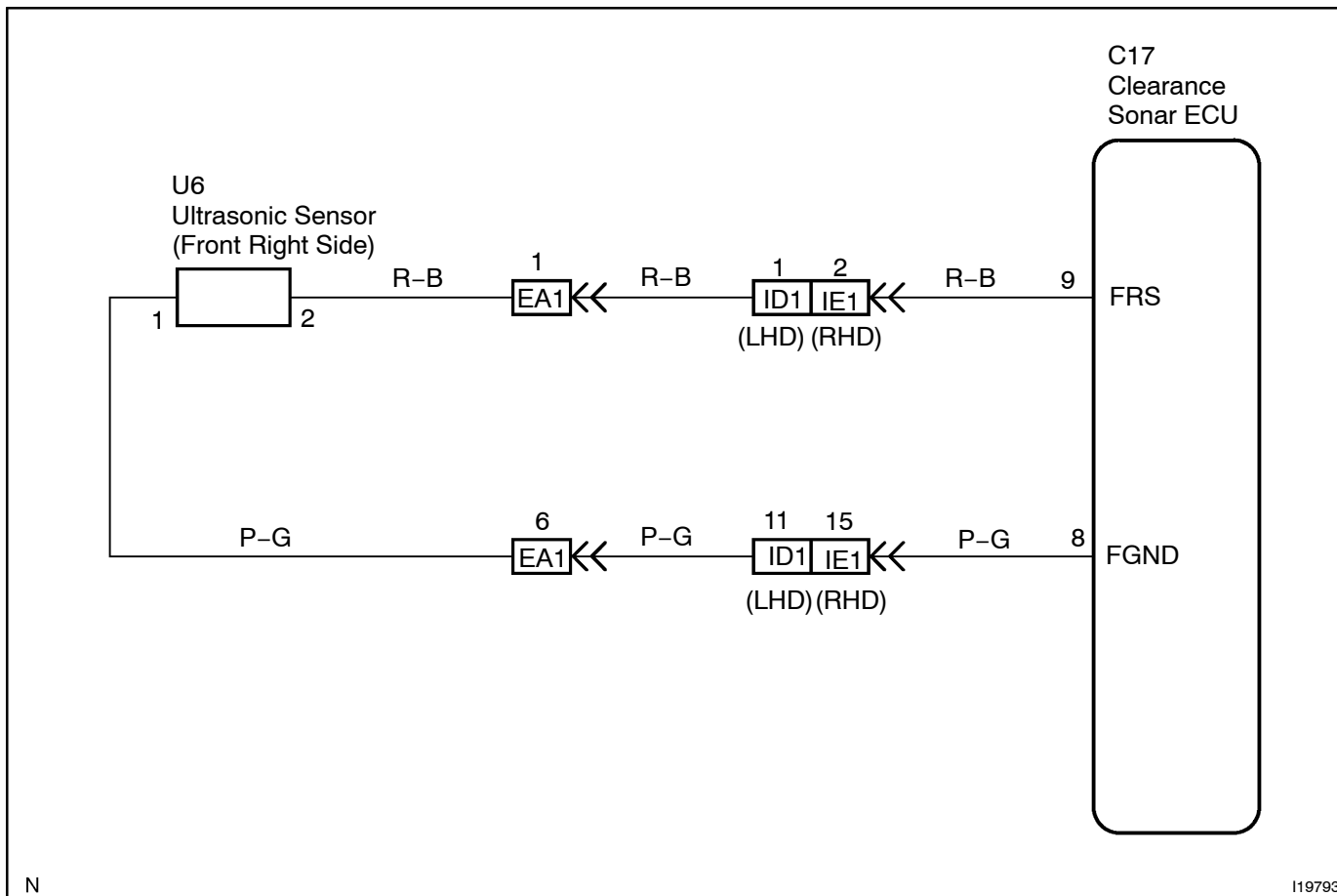
| | | |
|------------|--------------|--|
| DTC | B2236 | Front Right Side Sensor Malfunction |
|------------|--------------|--|

CIRCUIT DESCRIPTION

This DTC is output when failure of the ultrasonic sensor (front right side) is detected.

| DTC No. | DTC Detecting Condition | Trouble Area |
|---------|--|--|
| B2236 | • Malfunction of ultrasonic sensor (front right side) | <ul style="list-style-type: none"> • Ultrasonic sensor (front right side) • Wire Harness |

WIRING DIAGRAM



INSPECTION PROCEDURE

1 Check clearance sonar sensor (See page BE-183).

NG

Replace clearance sonar sensor.

OK

2 Check wire harness and connector between clearance sonar sensor and clearance sonar ECU (See page IN-35).

NG

Repair or replace wire harness or connector.

OK

Replace clearance sonar ECU (See page IN-35).