

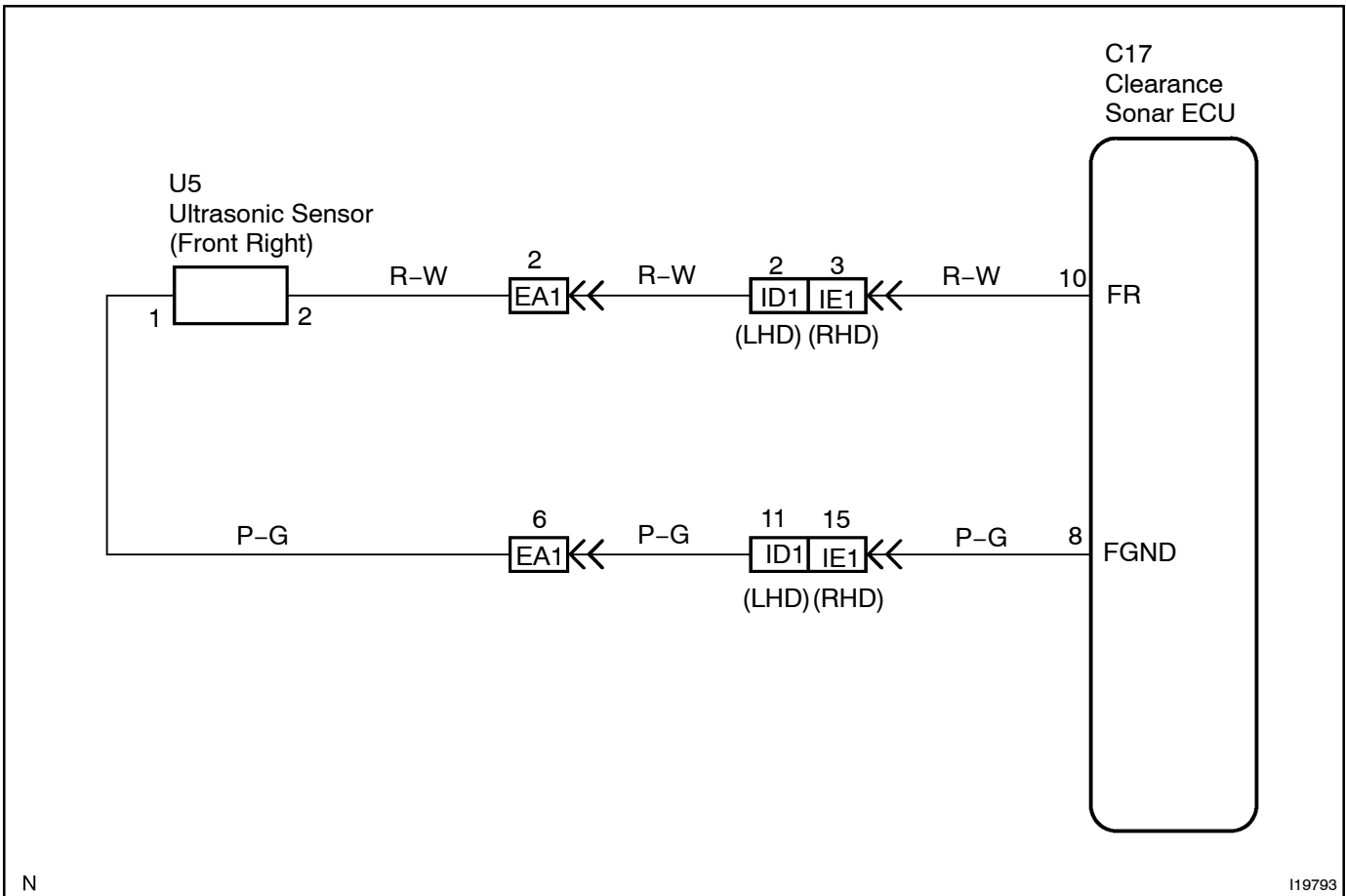
<b>DTC</b>	<b>B2235</b>	<b>Front Right Sensor Malfunction</b>
------------	--------------	---------------------------------------

**CIRCUIT DESCRIPTION**

This DTC is output when failure of the ultrasonic sensor (front right) is detected.

DTC No.	DTC Detecting Condition	Trouble Area
B2235	• Malfunction of ultrasonic sensor (front right)	<ul style="list-style-type: none"> <li>• Ultrasonic sensor (front right)</li> <li>• Wire Harness</li> </ul>

**WIRING DIAGRAM**



N

I19793

**INSPECTION PROCEDURE**

1 Check clearance sonar sensor (See page BE-183).

NG

Replace clearance sonar sensor.

OK

2 Check wire harness and connector between clearance sonar sensor and clearance sonar ECU (See page IN-35).

NG

Repair or replace wire harness or connector.

OK

Replace clearance sonar ECU (See page IN-35).