

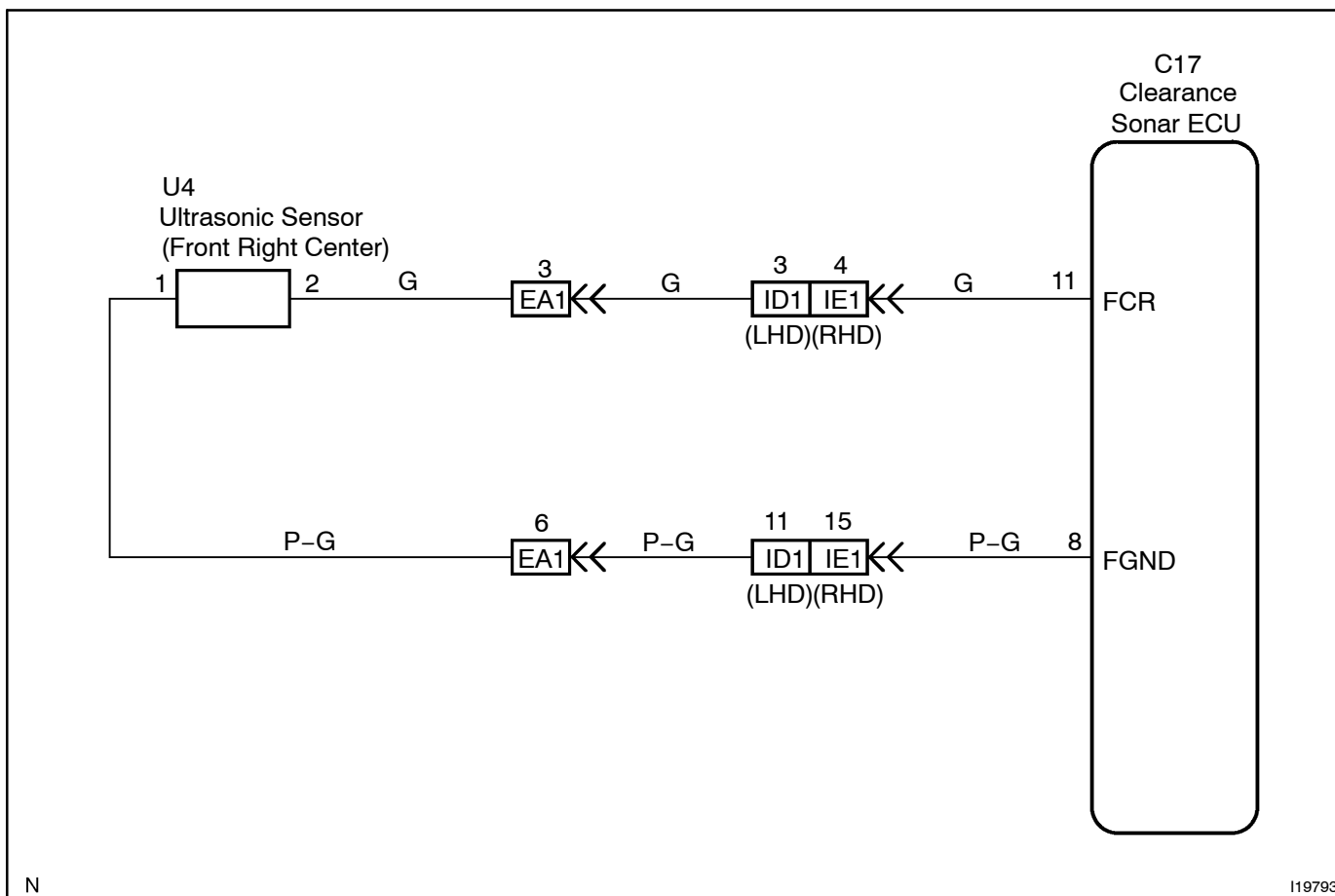
DTC	B2234	Front Right Center Sensor Malfunction
------------	--------------	--

CIRCUIT DESCRIPTION

This DTC is output when failure of the ultrasonic sensor (front right center) is detected.

DTC No.	DTC Detecting Condition	Trouble Area
B2234	• Malfunction of ultrasonic sensor (front right center)	• Ultrasonic sensor (front right center) • Wire Harness

WIRING DIAGRAM



INSPECTION PROCEDURE

1 Check clearance sonar sensor (See page BE-183).

NG

Replace clearance sonar sensor.

OK

2 Check wire harness and connector between clearance sonar sensor and clearance sonar ECU (See page IN-35).

NG

Repair or replace wire harness or connector.

OK

Replace clearance sonar ECU (See page IN-35).