

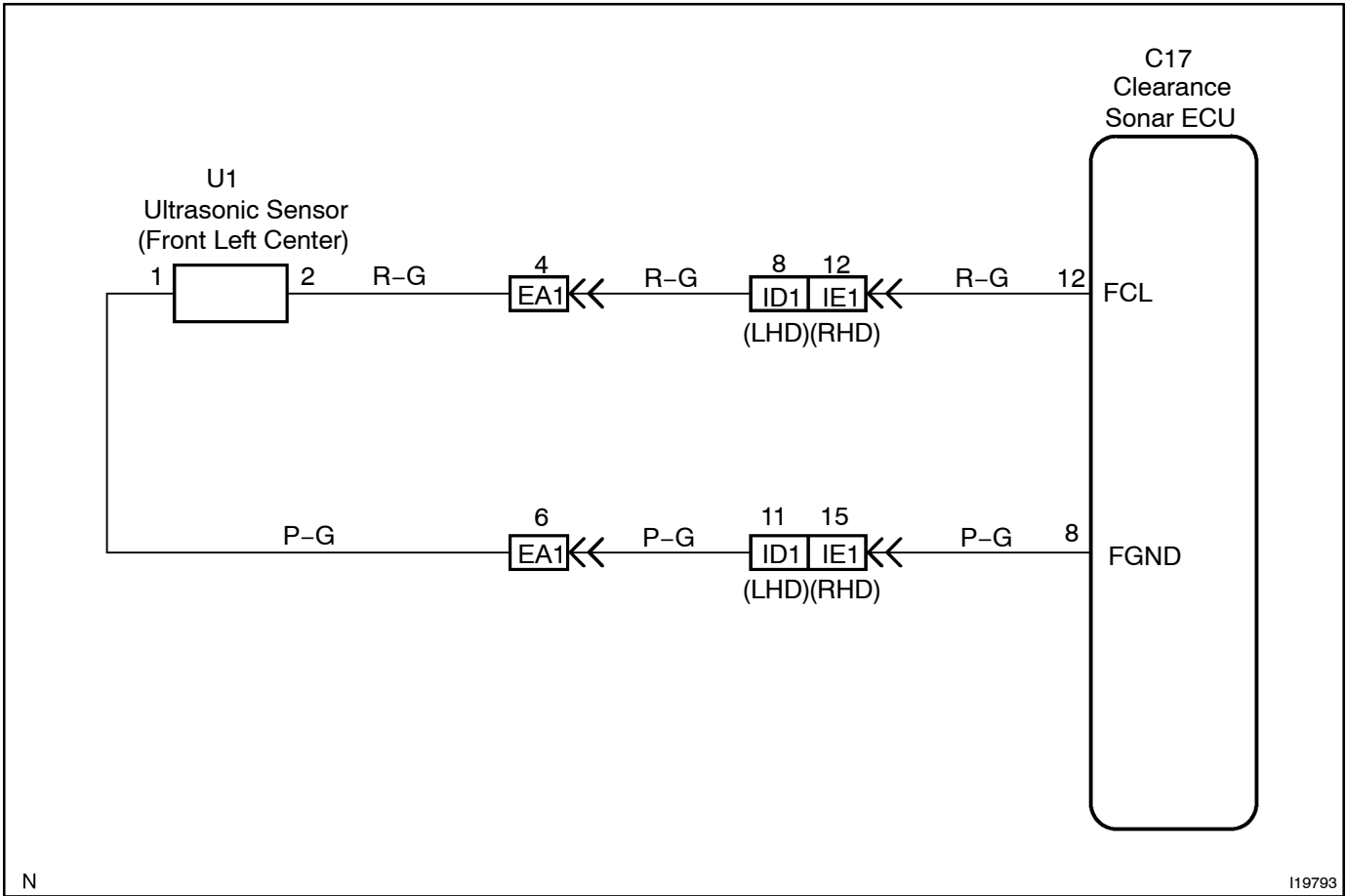
| | | |
|------------|--------------|---|
| DTC | B2233 | Front Left Center Sensor Malfunction |
|------------|--------------|---|

CIRCUIT DESCRIPTION

This DTC is output when failure of the ultrasonic sensor (front left center) is detected.

| DTC No. | DTC Detecting Condition | Trouble Area |
|---------|--|---|
| B2233 | • Malfunction of ultrasonic sensor (front left center) | <ul style="list-style-type: none"> • Ultrasonic sensor (front left center) • Wire Harness |

WIRING DIAGRAM



N

I19793

INSPECTION PROCEDURE

1 Check clearance sonar sensor (See page BE-183).

NG

Replace clearance sonar sensor.

OK

2 Check wire harness and connector between clearance sonar sensor and clearance sonar ECU (See page IN-35).

NG

Repair or replace wire harness or connector.

OK

Replace clearance sonar ECU (See page IN-35).