

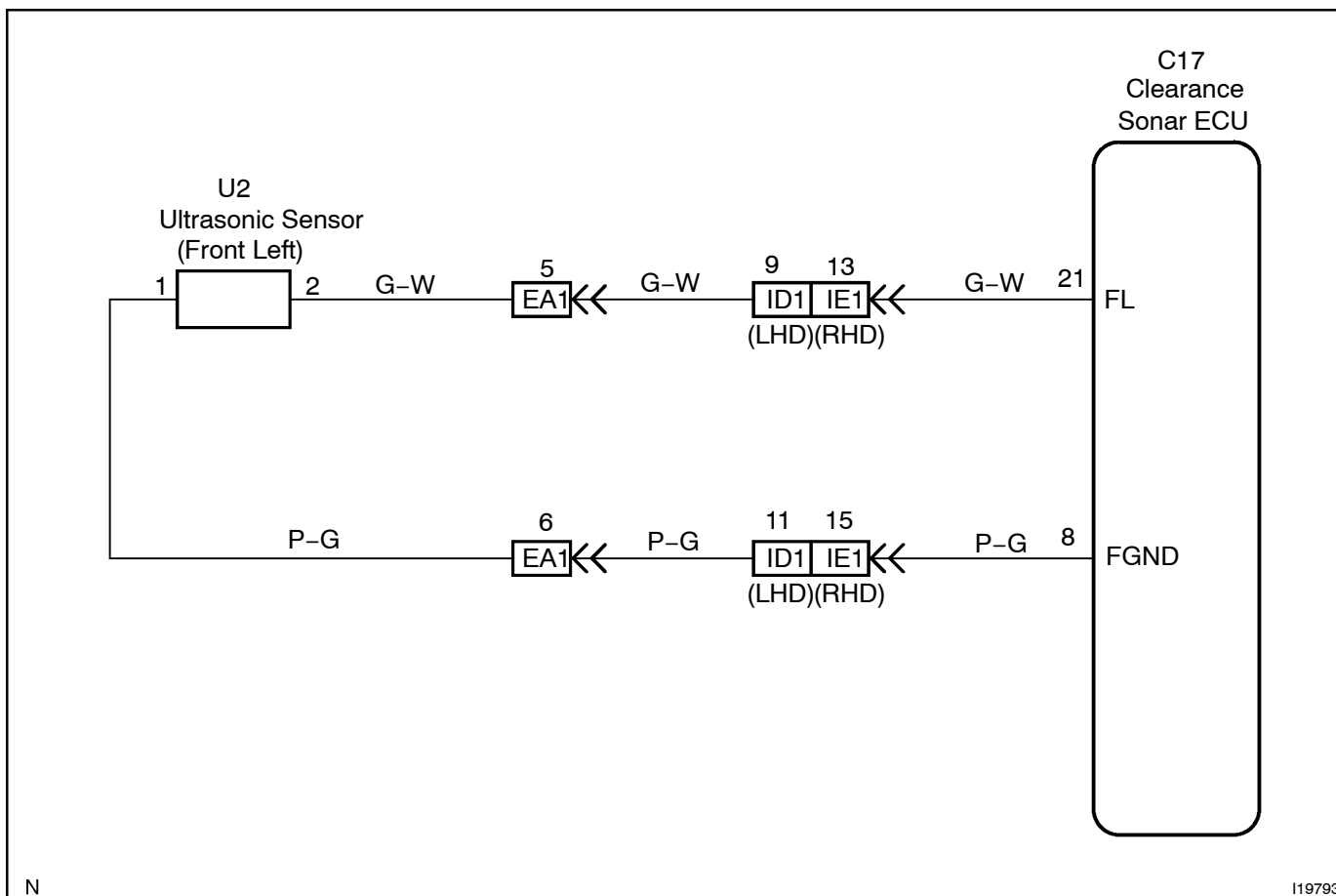
DTC	B2232	Front Left Sensor Malfunction
------------	--------------	--------------------------------------

CIRCUIT DESCRIPTION

This DTC is output when failure of the ultrasonic sensor (front Left) detected.

DTC No.	DTC Detecting Condition	Trouble Area
B2232	• Malfunction of ultrasonic sensor (front left)	• Ultrasonic sensor (front left) • Wire Harness

WIRING DIAGRAM



N

I19793

INSPECTION PROCEDURE

1 Check clearance sonar sensor (See page BE-183).

NG

Replace clearance sonar sensor.

OK

2 Check wire harness and connector between clearance sonar sensor and clearance sonar ECU (See page IN-35).

NG

Repair or replace wire harness or connector.

OK

Replace clearance sonar ECU (See page IN-35).