

CIRCUIT INSPECTION

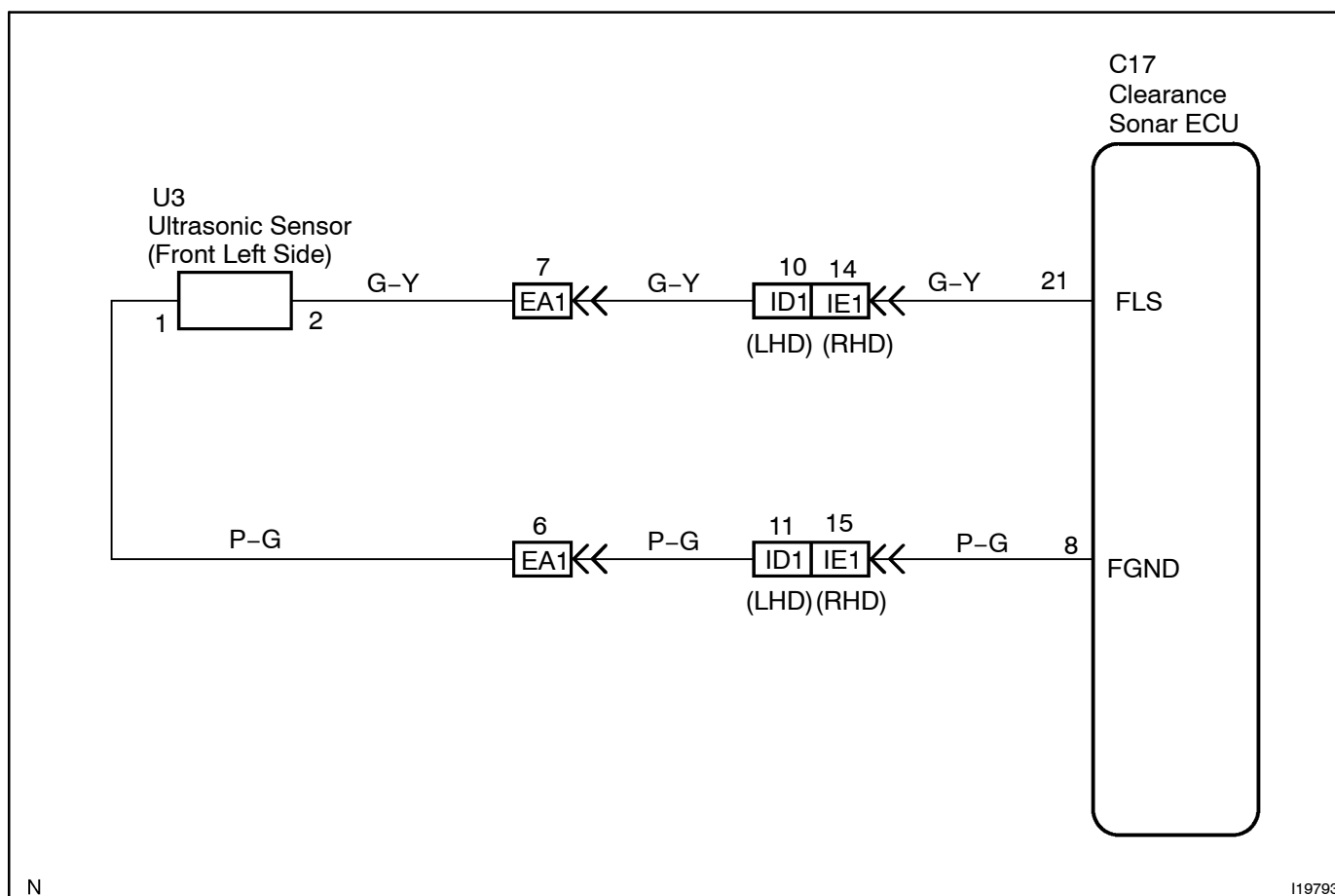
DTC	B2231	Front Left Side Sensor Malfunction
------------	--------------	---

CIRCUIT DESCRIPTION

This DTC is output when failure of ultrasonic sensor (front left side) is detected.

DTC No.	DTC Detecting Condition	Trouble Area
B2231	• Malfunction of ultrasonic sensor (front left side) side	<ul style="list-style-type: none"> • Ultrasonic sensor (front left side) • Wire Harness

WIRING DIAGRAM



N

I19793

INSPECTION PROCEDURE

1 Check the clearance sonar sensor. (See page BE-183).

NG

Replace clearance sonar sensor.

OK

2 Check wire harness and connector between clearance sonar sensor and clearance sonar ECU. (See page IN-35).

NG

Repair or replace wire harness or connector.

OK

Replace clearance sonar ECU. (See page IN-35).