

AVC-LAN (Communication bus) Circuit

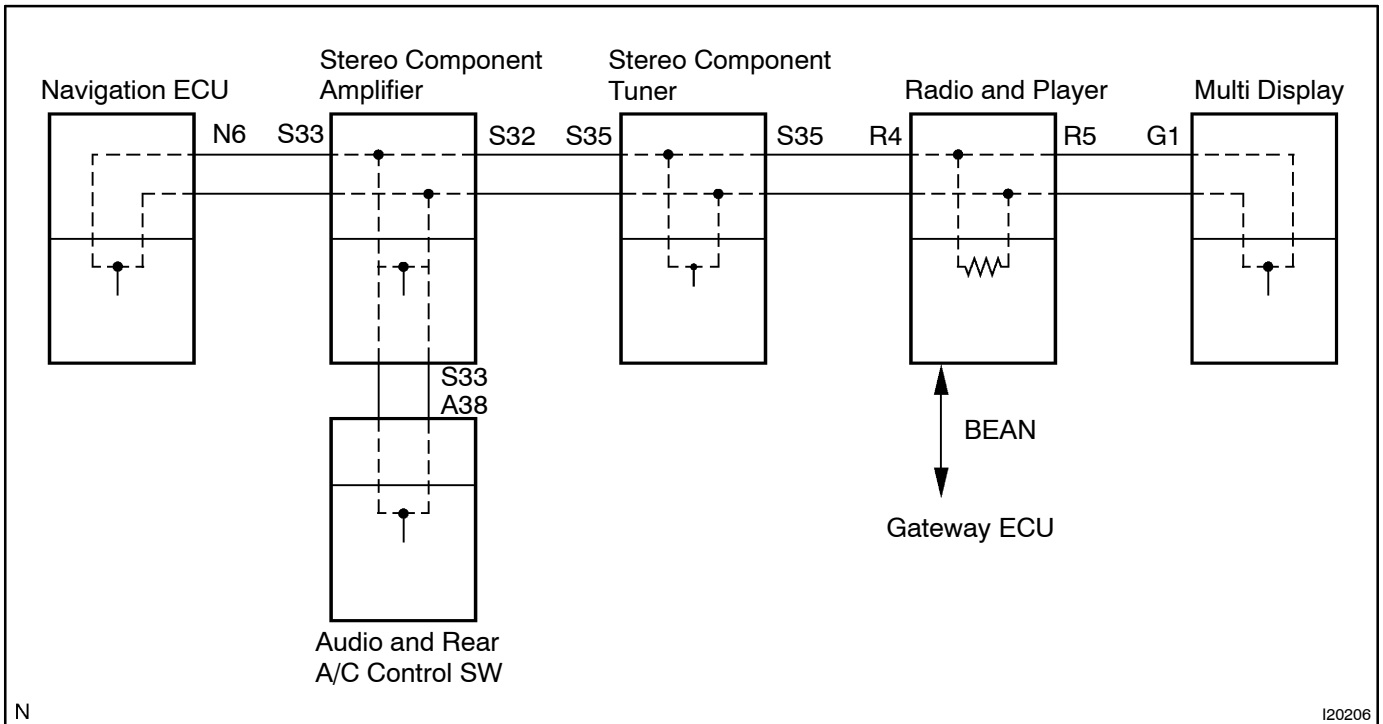
CIRCUIT DESCRIPTION

Each unit of the LEXUS navigation system connected with AVC-LAN (communication bus) transmits a signal of each switch.

When +B short or GND short occurs in this AVC-LAN, the LEXUS navigation system will not function normally as the communication is discontinued.

In this AVC-LAN, the radio and player becomes the master of the communication, having a resistance necessary for transmitting the signals.

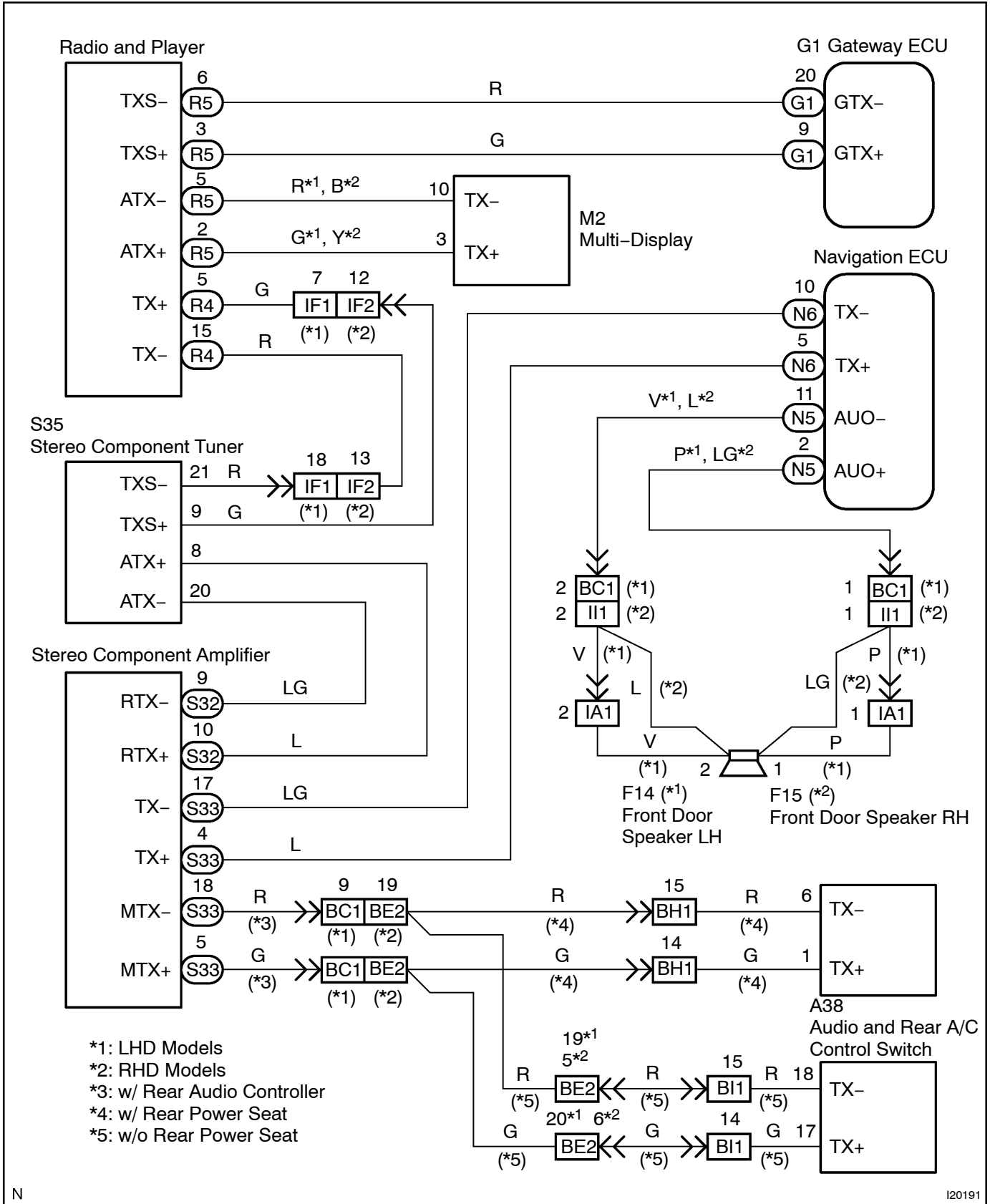
AVC-LAN



N

I20206

WIRING DIAGRAM



N

I20191

INSPECTION PROCEDURE

- 1 Disconnect "N6" connector of navigation ECU and check if AVC-LAN will be recovered normally.

CHECK:

Check that the display will change by pressing either of the Panel switch on the display.

HINT:

If the display is changed, recovery of AVC-LAN can be confirmed.

OK

Replace navigation ECU (See page IN-35).

NG

- 2 Disconnect connector "A38" of audio and rear A/C control switch and check if AVC-LAN will be recovered normally.

CHECK:

Check that the display will change by pressing either of the Panel switch on the display.

HINT:

If the display is changed, recovery of AVC-LAN can be confirmed.

OK

Replace audio and rear A/C control switch.

NG

- 3 Disconnect connector "S33" of stereo component amplifier, check if AVC-LAN will be recovered normally.

CHECK:

Check that the display will change by pressing either of the Panel switch on the display.

HINT:

If the display is changed, recovery of AVC-LAN can be confirmed.

OK

Replace navigation ECU and stereo amplifier, amplifier and rear control switch (See page BO-181).

NG

- 4 Disconnect the "S32" connector of stereo component amplifier and check if AVC-LAN will be recovered normally.

CHECK:

Check that the display will change by pressing either of the Panel switch on the display.

HINT:

It can be judged that AVC-LAN is recovered if the display is changed.

OK

Replace the stereo component amplifier. (See page IN-35)

NG

- 5 Disconnect the "S35" connector of the stereo component tuner and check if AVC-LAN will be recovered normally.

CHECK:

Check that the display will change by pressing either of the Panel switch on the display.

HINT:

It can be judged that AVC-LAN is recovered if the display is changed.

OK

Replace the stereo component tuner. (See page IN-35)

NG

- 6 Disconnect the "R4" connector of the radio and player and check if AVC-LAN will be recovered normally.

CHECK:

Check that the display will change by pressing either of the Panel switch on the display.

HINT:

It can be judged that AVC-LAN is recovered if the display is changed.

NG

Repair or replace wire harness or connector between radio and player and stereo component tuner (See page IN-35).

OK

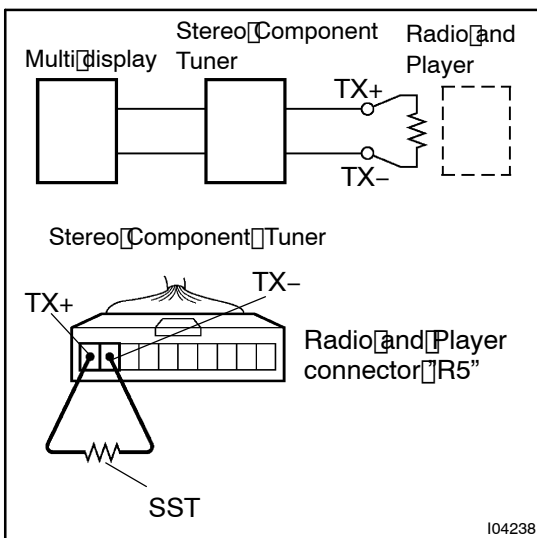
7 Check wire harness and connector between radio and player and multi display (See page IN-35).

NG

Repair or replace wire harness or connector between radio and player and multi display (See page IN-35).

OK

8 Skip radio and player and check AVC-LAN.

**PREPARATION:**

- Disconnect radio and player "R5" connector.
- Using SST (Navigation Check Wire P/N 09843-18050), connect terminal TX+ to terminal TX- of "R5" connector of the radio and player.

CHECK:

Operate the panel switch of the display and check that the navigation system functions.
(Check that AVC-LAN is recovered.)

OK

Replace radio and player (See page IN-35).

NG

Replace multi display (See page IN-35).