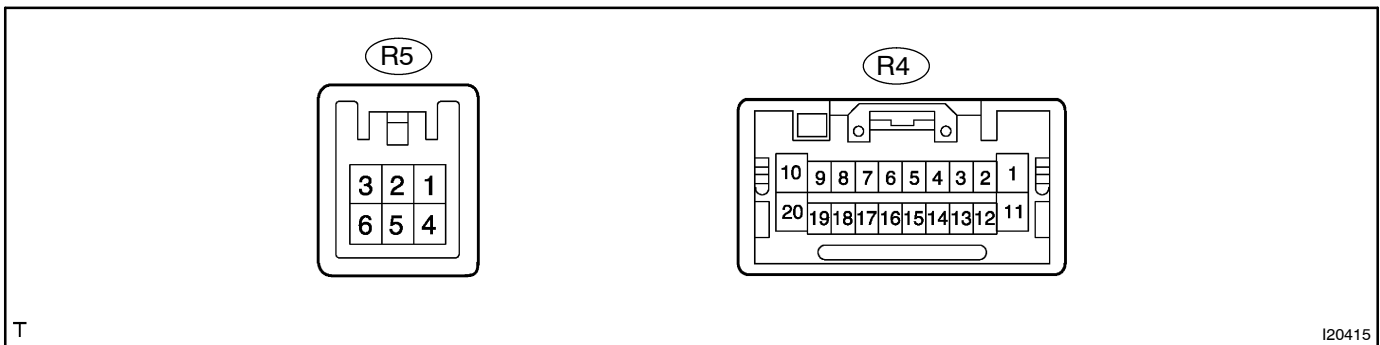


TERMINALS OF ECU

1. RADIO AND PLAYER



T

I20415

Symbols (Terminals No.)	Wiring Color	Condition	STD Voltage (V)
R5-2 (ATX+)	G(*1) Y(*2)	See "Service Check Mode"	-
R5-3 (TXS+)	G	See "Service Check Mode"	-
R5-5 (ATX-)	R(*1) B(*2)	See "Service Check Mode"	-
R5-6 (TXS-)	R	See "Service Check Mode"	-
R4-1 - R4-20 (+B - GND)	L-Y - BR	Constant	10 - 14V
R5-2 - R4-20 (ATX+ - GND)	G - BR (*1) Y - BR (*2)	Light control switch TAIL or HEAD	10 - 14V
R4-5 (TX+)	G	See "Service Check Mode"	-
R4-7 - R4-20 (MUTE - GND)	Y - BR	Switching CD player ↔ Cassette player	Below 3.5V
R4-8 - R4-20 (R+ - GND)	B - BR	Audio system is sounding	A waveform synchronized with sound is output
R4-9 - R4-20 (L+ - GND)	R - BR	Audio system is sounding	A waveform synchronized with sound is output
R4-10 - Body ground (SGND - Body ground)	-	Constant	Below 1V
R4-11 - R4-20 (ACC - GND)	GR - BR	Ignition switch OFF	Below 1V
		Ignition switch ACC or ON	10 - 14V
R4-12 - R4-20 (ILL- - GND)	W-G - B-R	Headlight switch ON, Automatic light sensor ON and Tail cancel switch OFF simultaneously	10 - 14V
R4-15 (TX-)	R	See "Service Check Mode"	-
R4-18 - R4-20 (R- - GND)	W - BR	Audio system is sounding	A waveform synchronized with sound is output
R4-19 - R4-20 (L- - GND)	G - BR	Audio system is sounding	A waveform synchronized with sound is output
R4-20 - Body ground (SGND - Body ground)	BR - Body ground	Constant	Below 1V

Terminal No. (Symbols)	Problem symptom when open circuit is detected.	Problem symptom when short circuit is detected.
R5-2 (ATX+)	Navigation system does not operate.	System does not operate.
R5-3 (TXS+)	Steering pad switch does not operate.	System does not operate.
R5-5 (ATX-)	Navigation system does not operate.	System does not operate.

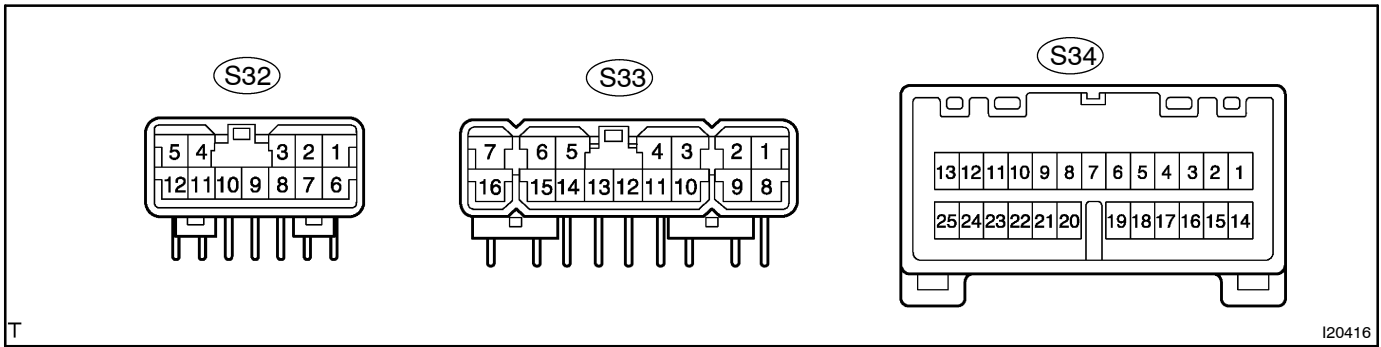
DIAGNOSTICS - AUDIO SYSTEM

R5-6 (TXS-)	Steering pad switch does not operate.	System does not operate.
R4-1 - R4-20 (+B - GND)	Radio and player does not operate.	Fuse is blown.
R5-2 - R4-20 (ATX+ - GND)	Radio and player illumination does not light up..	Fuse is blown.
R4-5 (TX+)	Navigation system does not operate.	System does not operate.
R4-7 - R4-20 (MUTE - GND)	Pop sound etc.	Speaker does not sound.
R4-8 - R4-20 (R+ - GND)	Sound from right side speaker is small.	Sound from right side speaker is small.
R4-9 - R4-20 (L+ - GND)	Sound from left side speaker is small.	Sound from left side speaker is small.
R4-10 - Body ground (SGND - Body ground)	Audio system is normal.	Audio system is normal.
R4-11 - R4-20 (ACC - GND)	Navigation system does not operate.	Fuse is blown.
R4-12 - R4-20 (ILL- - GND)	Radio and player illumination does not light up.	Light control rheostat does not operate.
R4-15 (TX-)	Navigation system does not operate.	System does not operate.
R4-18 - R4-20 (R- - GND)	Sound from right side speaker is small.	Sound from right side speaker is small.
R4-19 - R4-20 (L- - GND)	Sound from left side speaker is small.	Sound from left side speaker is small.
R4-20 - Body ground (GND - Body ground)	System does not operate.	Audio system is normal.

(*1): LHD

(*2): RHD

2. STEREO COMPONENT AMPLIFIER



Symbols (Terminals No.)	Wiring Color	Condition	STD Voltage (V)
S32-1 - S34-13 (MR+ - GND)	B - W-B	Audio system is sounding (Radio)	A waveform synchronized with sound is output
S32-2 - S34-13 (ML+ - GND)	R - W-B	Audio system is sounding (Radio)	A waveform synchronized with sound is output
S32-4 - S34-13 (MMUT - GND)	Y - W-B	Radio switch ON	Below 3.5V
S32-6 - S34-13 (MR- - GND)	W - W-B	Audio system is sounding (Radio)	A waveform synchronized with sound is output
S32-7 - S34-13 (ML- - GND)	G - W-B	Audio system is sounding (Radio)	A waveform synchronized with sound is output
S32-9 (RTX-)	LG	See "Service Check Mode"	-
S32-10 (RTX+)	L	See "Service Check Mode"	-
S34-1 - S34-13 (FR+ - GND)	LG - W-B (*1, *2, *4) G - W - B (*2, *3)	Audio system is sounding	A waveform synchronized with sound is output
S34-2 - S34-13 (FL+ - GND)	P - W-B	Audio system is sounding	A waveform synchronized with sound is output
S34-3 - S34-13 (RR+ - GND)	W - W-B	Audio system is sounding	A waveform synchronized with sound is output
S34-4 - S34-13 (RL+ - GND)	B - W-B	Audio system is sounding	A waveform synchronized with sound is output
S34-5 - S34-13 (WFR+ - GND)	Y - W-B	Audio system is sounding	A waveform synchronized with sound is output
S34-6 - S34-13 (WFL+ - GND)	LG - W-B	Audio system is sounding	A waveform synchronized with sound is output
S34-7 - S34-13 (+B - GND)	L-R - W-B	Constant	10 - 14V
S34-8 - S34-13 (FR- - GND)	L - W-B (*1, *2, *4) G - B - W - B (*2, *3)	Audio system is sounding	A waveform synchronized with sound is output

DIAGNOSTICS - AUDIO SYSTEM

S34-9 - S34-13 (FL- - GND)	V - W-B	Audio system is sounding	A waveform synchronized with sound is output
S34-10 - S34-13 (RR - - GND)	R - W-B	Audio system is sounding	A waveform synchronized with sound is output
S34-11 - S34-13 (RL- - GND)	Y - W-B	Audio system is sounding	A waveform synchronized with sound is output
S34-12 - Body ground (E - Body ground)	W-B - Body ground	Constant	Below 1V
S34-13 - Body ground (GND - Body ground)	W-B - Body ground	Constant	Below 1V
S34-14 - S34-13 (WFR- - GND)	B - W-B	Audio system is sounding	A waveform synchronized with sound is output
S34-15 - S34-13 (WFL - - GND)	L - W-B	Audio system is sounding	A waveform synchronized with sound is output
S34-16 - S34-13 (+B2 - GND)	L-R - W-B	Constant	10 - 14V
S33-1 - S34-13 (FR+ - GND)	G-W - W-B	Audio system is sounding	A waveform synchronized with sound is output
S33-2 - S34-13 (FL+ - GND)	V - W-B	Audio system is sounding	A waveform synchronized with sound is output
S33-3 - S34-13 (TMUT - GND)	LG-R - W-B	Cellular mobile telephone is being used	Below 3.5 V
S33-4 (TX+)	L	See "Service Check Mode"	-
S33-5 (MTX+)	G	See "Service Check Mode"	-
S33-9 - S34-13 (N-MU - GND)	G-R - W-B	Navigation voice sounding	Below 3.5 V
S33-11 - S34-13 (R+ - GND)	B - W-B	CD player or cassette player is sounding	A waveform synchronized with sound is output
S33-12 - S34-13 (L+ - GND)	R - W-B	CD player or cassette player is sounding	A waveform synchronized with sound is output
S33-13 - S34-13 (SPD - GND)	V-W - W-B	See "Vehicle Signal Check Mode"	-
S33-14 - S34-13 (FR- - GND)	BR - W-B	Audio system is sounding	A waveform synchronized with sound is output
S33-15 - S34-13 (FL- - GND)	P - W-B	Audio system is sounding	A waveform synchronized with sound is output
S33-17 (TX-)	LG	See "Service Check Mode"	-
S33-18 (MTX-)	R	See "Service Check Mode"	-
S33-20 - S34-13 (ACC - GND)	GR - W-B	Ignition switch OFF	Below 1V
		Ignition switch ACC or ON	10 - 14V

S33-21 - S34-13 (MUTE - GND)	Y - W-B	Switching CD player ↔ Cassette player	Below 3.5 V
S33-23 - S34-13 (R- - GND)	W - W-B	CD player or cassette player is sounding	A waveform synchronized with sound is output
S33-24 - S34-13 (L- - GND)	G - W-B	CD player or cassette player is sounding	A waveform synchronized with sound is output
S33-25 - S34-13 (SPDO - GND)	Y-R - W-B	See "Vehicle Signal Check Mode"	-

Terminal No. (Symbols)	Problem system when open circuit is detected.	Problem symptom when short circuit is detected.
S32-1 - S34-13 (MR+ - GND)	Sound from right side speaker is small.	Sound from right side speaker is small.
S32-2 - S34-13 (ML+ - GND)	Sound from left side speaker is small.	Sound from left side speaker is small.
S32-4 - S34-13 (MMUT - GND)	Pop sound etc.	Speaker does not sound.
S32-6 - S34-13 (MR- - GND)	Sound from right side speaker is small.	Sound from right side speaker is small.
S32-7 - S34-13 (ML- - GND)	Sound from left side speaker is small.	Sound from left side speaker is small.
S32-9 (RTX-)	Navigation system does not operate.	Navigation system does not operate.
S32-10 (RTX+)	Navigation system does not operate.	Navigation system does not operate.
S34-1 - S34-13 (FR+ - GND)	Front right side speaker does not sound.	*5: Front right side speaker does not sound. *6: All speakers does not sound.
S34-2 - S34-13 (FL+ - GND)	Front left side speaker does not sound.	*5: Front left side speaker does not sound. *6: All speakers does not sound.
S34-3 - S34-13 (RR+ - GND)	Rear right side speaker does not sound.	*5: Rear right side speaker does not sound. *6: All speakers does not sound.
S34-4 - S34-13 (RL+ - GND)	Rear left side speaker does not sound.	*5: Rear left side speaker does not sound. *6: All speakers does not sound.
S34-5 - S34-13 (WFR+ - GND)	*5: Woofer does not sound. *6: Sound from woofer is small.	*5, *6: Woofer does not sound.
S34-6 - S34-13 (WFL+ - GND)	*5: Woofer does not sound. *6: Sound from woofer is small.	*5, *6: Woofer does not sound.
S34-7 - S34-13 (+B - GND)	If terminal 16 is disconnected, system does not function.	Fuse is blown.
S34-8 - S34-13 (FR- - GND)	Front right side speaker does not sound.	*5: Audio system is normal. *6: All speakers does not sound.
S34-9 - S34-13 (FL- - GND)	Front left side speaker does not sound.	*5: Front left side speaker is normal. *6: All speakers does not sound.
S34-10 - S34-13 (RR- - GND)	Rear right side speaker does not sound.	*5: Rear right side speaker is normal. *6: All speakers does not sound.
S34-11 - S34-13 (RL- - GND)	Rear left side speaker does not sound.	*5: Rear left side speaker is normal. *6: All speakers does not sound.
S34-12 - Body ground (GND - Body ground)	If terminal 13 is disconnected, system does not function.	Audio system is normal.
S34-13 - Body ground (GND - Body ground)	If terminal 12 is disconnected, system does not function.	Audio system is normal.

DIAGNOSTICS – AUDIO SYSTEM

S34-14 – S34-13 (WFR- – GND)	*5: – *6: Sound from woofer is small.	*5: – *6: All speakers does not sound.
S34-15 – S34-13 (WFL- – GND)	*5: – *6: Sound from woofer is small.	*5: – *6: All speakers does not sound.
S34-16 – S34-13 (+B2 – GND)	If terminal 7 is disconnected, system does not function.	Fuse is blown.
S33-1 – S34-13 (FR+ – GND)	Right side tweeter speaker does not sound.	*5: Right side tweeter speaker does not sound. *6: All speakers does not sound.
S33-2 – S34-13 (FL+ – GND)	Left side tweeter speaker does not sound.	*5: Left side tweeter speaker does not sound. *6: All speakers does not sound.
S33-3 – S34-13 (TMUT – GND)	Mute cannot be activated during telephone call.	All speakers does not sound.
S33-4 (TX+)	Navigation system does not operate.	System does not operate.
S33-5 (MTX+)	Audio rear A/C control switch does not operate.	System does not operate.
S33-9 – S34-13 (N-MU – GND)	Pop sound etc.	Front right speaker does not sound.
S33-11 – S34-13 (R+ – GND)	Sound from right side speaker is small.	Sound from right side speaker is small.
S33-12 – S34-13 (L+ – GND)	Sound from left side speaker is small.	Sound from left side speaker is small.
S33-13 – S34-13 (SPD – GND)	Navigation operation is available during, or a cursor on present site does not move. (ASL does not operate)	Navigation operation is available during, or a cursor on present site does not move. (ASL does not operate)
S33-14 – S34-13 (FR- – GND)	Right side tweeter speaker does not sound.	*5: Audio system is normal. *6: All speakers do not sound.
S33-15 – S34-13 (FL- – GND)	Left side tweeter speaker does not sound.	*5: Audio system is normal. *6: All speakers do not sound.
S33-17 (TX-)	Navigation system does not operate.	System does not operate.
S33-18 (MTX-)	Does not operate.	System does not operate.
S33-20 – S34-13 (ACC – GND)	Audio & rear A/C control switch does not sound.	Fuse is blown.
S33-21 – S34-13 (MUTE – GND)	Pop sound etc.	Audio system does not sound.
S33-23 – S34-13 (R- – GND)	Sound from right side speaker is small.	Sound from right side speaker is small.
S33-24 – S34-13 (L- – GND)	Sound from left side speaker is small.	Sound from left side speaker is small.
S33-25 – S34-13 (SPDO – GND)	Navigation operation is available during, or a cursor on present site does not move. (ASL does not operate)	Navigation operation is available during, or a cursor on present site does not move. (ASL does not operate)

*1: LHD

*2: RHD

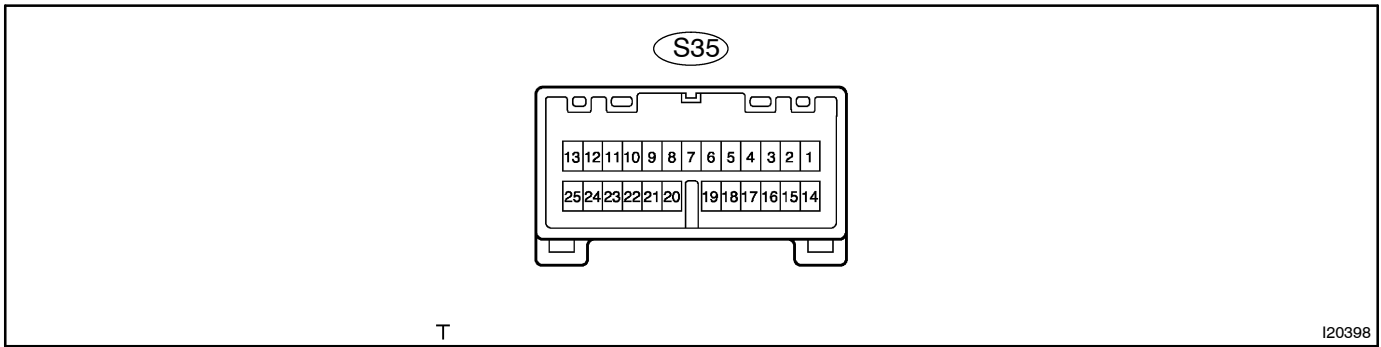
*3: w/ LEXUS Navigation System

*4: w/o LEXUS Navigation System

*5: Mark Levinson

*6: Pioneer

3. STEREO COMPONENT TUNER



Symbols (Terminals No.)	Wiring Color	Condition	STD Voltage (V)
S35-1 - S35-25 (B - GND)	L-Y - W-B	Constant	10 - 14V
S35-2 - S35-25 (SG - GND)	-	Constant	Below 1V
S35-3 - S35-25 (R+ - GND)	B - W-B	Audio system is sounding	A waveform synchronized with sound is output
S35-4 - S35-25 (L+ - GND)	R - W-B	Audio system is sounding	A waveform synchronized with sound is output
S35-8 (ATX+)	L	See "Service check Mode"	-
S35-9 (TXS+)	G	See "Service check Mode"	-
S35-11 - S35-25 (MUTE - GND)	Y - W-B	Switching AM switch ↔ FM switch	Below 3.5V
S35-14 - S35-25 (ACC - GND)	GR - W-B	Ignition switch OFF	Below 1V
		Ignition switch ACC or OFF	10 - 14V
S35-16 - S35-25 (R- - GND)	W - W-B	Audio system is sounding	A waveform synchronized with sound is output
S35-17 - S35-25 (L- - GND)	G - W-B	Audio system is sounding	A waveform synchronized with sound is output
S35-20 (ATX+)	LG	See "Service check Mode"	-
S35-21 (TXS-)	R	See "Service check Mode"	-
S35-25 - Body ground (GND - Body ground)	W-B - Body ground	Constant	Below 1V

Terminal No. (symbols)	Problem symptom when open circuit is detected.	Problem symptom when short circuit is detected.
S35-1 - S35-25 (B - GND)	Stereo component tuner	Fuse is blown.
S35-2 - S35-25 (SG - GND)	Audio system is normal.	Audio system is normal.
S35-3 - S35-25 (R+ - GND)	Sound from right side speaker is small.	Sound from right side speaker is small.
S35-4 - S35-25 (L+ - GND)	Sound from left side speaker is small.	Sound from left side speaker is small.
S35-8 (ATX+)	Navigation system does not operate.	System does not operate.
S35-9 (TXS+)	Navigation system does not operate.	System does not operate.

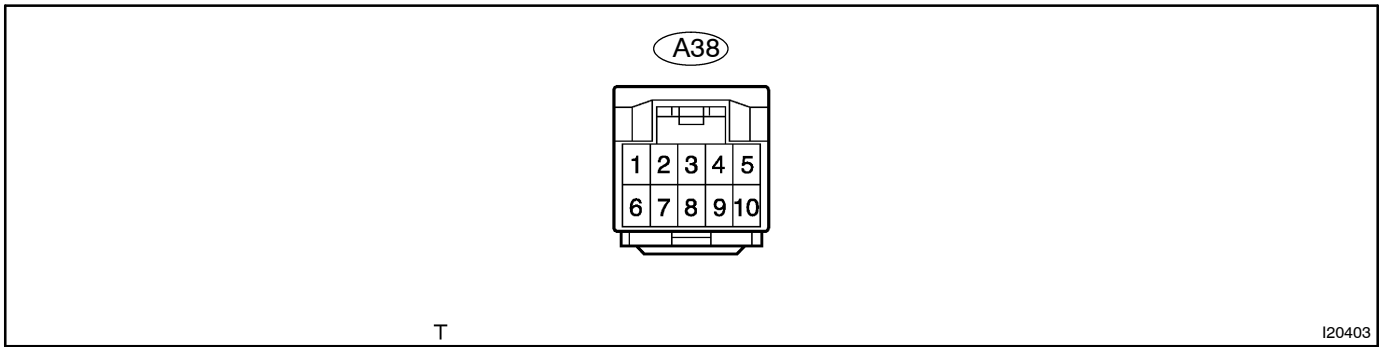
DIAGNOSTICS - AUDIO SYSTEM

S35-11 - S35-25 (MUTE - GND)	Pop sound ETC.	Does not sound.
S35-14 - S35-25 (ACC - GND)	Stereo component tuner does not operate.	Fuse is blown.
S35-16 - S35-25 (R- - GND)	Sound from right side speaker is small.	Sound from right side speaker is small.
S35-17 - S35-25 (L- - GND)	Sound from left side speaker is small.	Sound from left side speaker is small.
S35-20(ATX-)	Navigation system does not operate.	System does not operate.
S35-21 (TXS-)	Navigation system does not operate.	System does not operate.
S35-25 - Body ground (GND - Body ground)	Stereo component tuner does not operate.	Audio system is normal.

(*1): LHD

(*2): RHD

4. AUDIO AND REAR A/C CONTROL SWITCH



Symbols (Terminals No.)	Wiring Color	Condition	STD Voltage (V)
A38-1 - A38-10 (TX+ - GND)	G - W-B	Constant	10 - 14V
A38-1 (TX+)	G	See "Service Check Mode"	-
A38-10 - Body ground (GND - Body ground)	W-B - Body ground	Constant	Below 1V
A38-9 - A38-10 (ACC - GND)	GR - W-B	Ignition switch OFF	Below 1V
		Ignition switch ACC or ON	10 - 14V
A38-6 - A38-10 (TX- - GND)	R - W-B	Light control switch OFF	Below 1V
		Light control switch TAIL or HEAD	10 - 14V
A38-7 - A38-10 (ILL- - GND)	W-B - W-B	Rear center arm-rest is closing. (rear center arm-rest courtesy switch ON)	Below 3V
A38-6 (TX-)	R	See "Service Check Mode"	-

Terminal No. (Symbols)	Problem symptom when open circuit is detected.	Problem symptom when short circuit is detected.
A38-1 - A38-10 (TX+ - GND)	Audio and rear A/C control switch does not operate.	Fuse is blown.
A38-1 (TX+)	Audio and rear A/C control switch does not operate.	System does not operate.
Audio and rear A/C control switch does not operate.	Audio and rear A/C control switch does not operate.	-
A38-9 - A38-10 (ACC - GND)	Audio and rear A/C control switch does not operate.	Fuse is blown.
A38-6 - A38-10 (TX- - GND)	Rear seat control switch illumination does not light up.	Rear seat control switch illumination does not light up.
A38-7 - A38-10 (ILL- - GND)	Audio and rear A/C control does not displayed.	Audio and rear A/C control switch illumination does not light up.
A38 - 6 (TX-)	Audio and rear control switch does not operate.	System does not operate.