

DTC	B1297	Clearance sonar ECU communication stop
------------	--------------	---

CIRCUIT DESCRIPTION

This DTC is output when communication stops between the clearance sonar ECU and the gateway ECU.

DTC No.	DTC Detecting Condition	Trouble Area
B1297	No communication from clearance sonar ECU for more than 10 seconds.	<ul style="list-style-type: none"> • Clearance sonar ECU • Wire harness

WIRING DIAGRAM

See [page DI-1533](#).

INSPECTION PROCEDURE

1	Check clearance sonar ECU.
----------	-----------------------------------

CHECK:

Check that the clearance sonar system operates normally. (check whether or not sounds the clearance sonar buzzer.)

NG

Replace clearance sonar ECU
(See [page IN-35](#)).

YES

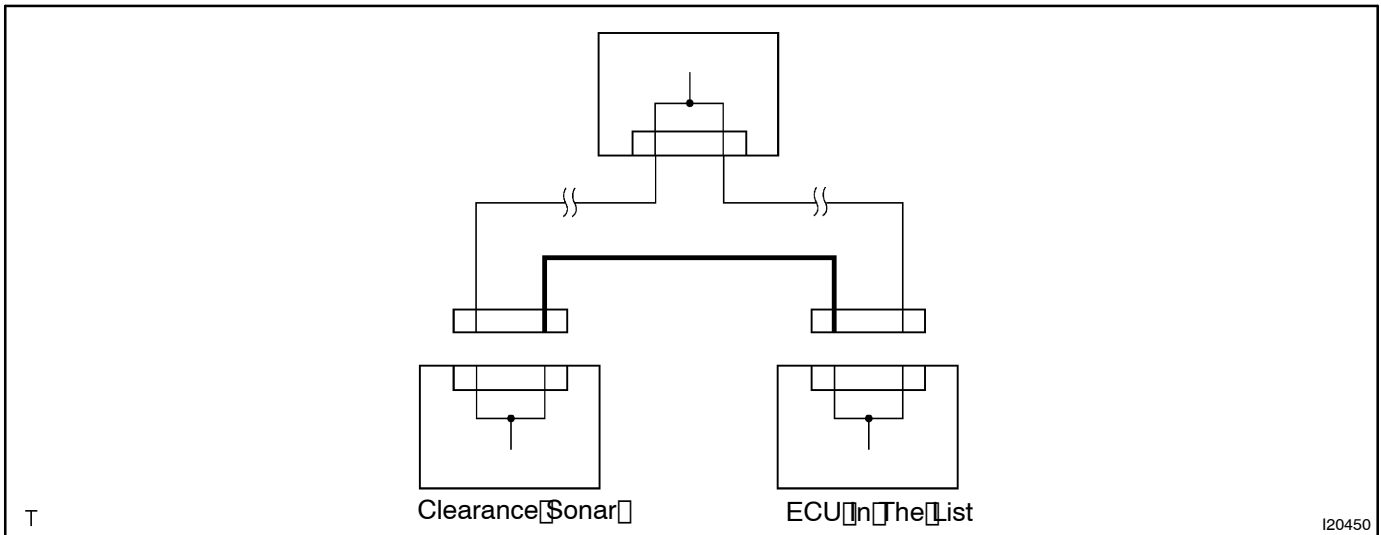
2 Check wire harness.**PREPARATION:**

Pull out the ECU connectors mentioned below.

Wire harness side connector of ECU	Terminal
Clearance sonar ECU - Luggage room / B ECU	M+(C17-1) - MPX(L13-3)

CHECK:

Check continuity of the wire harness between the connectors.

**OK:**

There is a continuity between the connectors.

HINT:

If there is OPEN in any wire harness, please repair it.

NG**Repair or replace wire harness.****OK**

Replace clearance sonar ECU (See page IN-35).