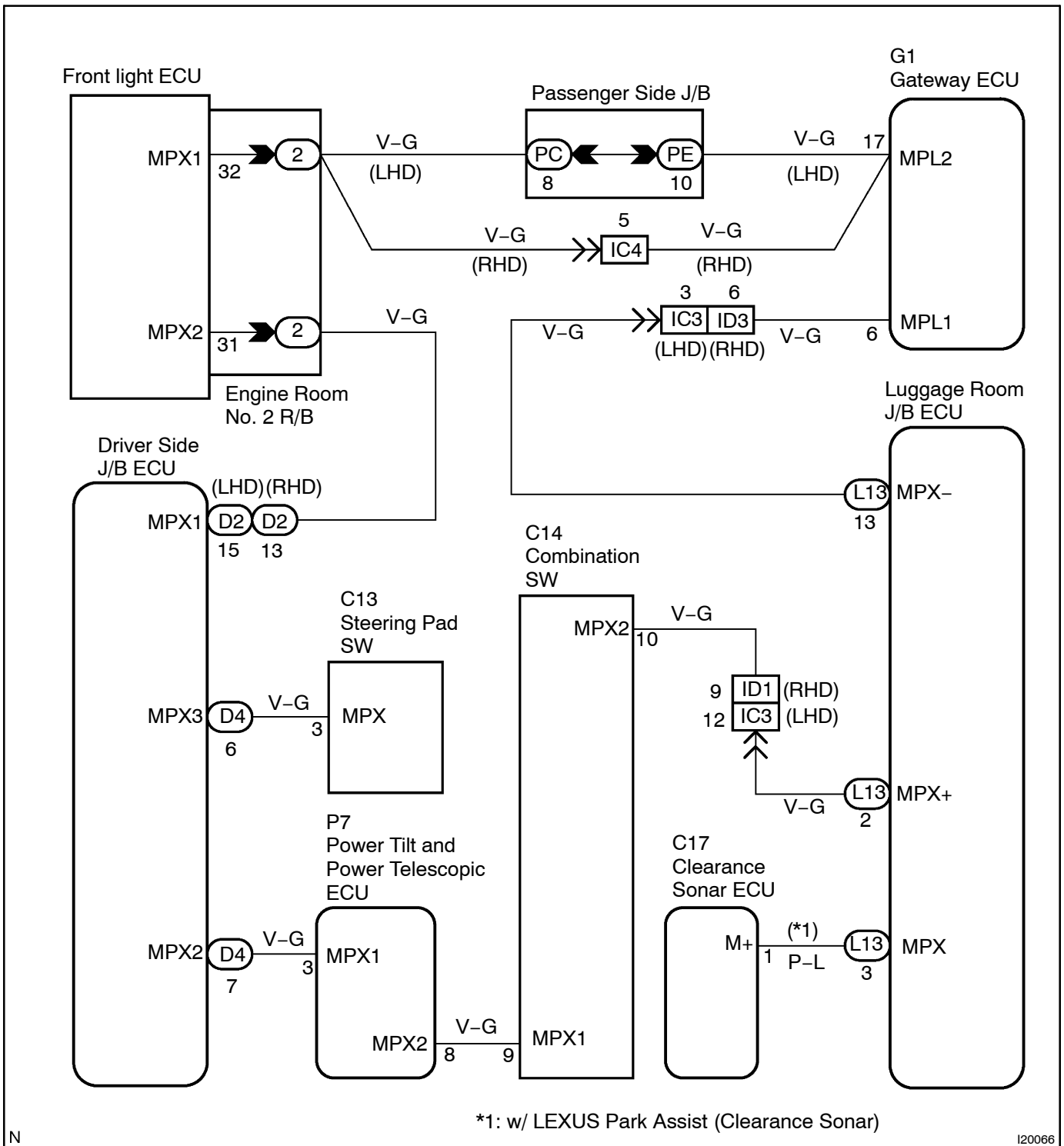


<b>DTC</b>	<b>B1291</b>	<b>Light system communication bus malfunction (+B short)</b>
------------	--------------	--

<b>DTC</b>	<b>B1292</b>	<b>Light system communication bus malfunction (GND short)</b>
------------	--------------	---

### CIRCUIT DESCRIPTION

This DTC is output when +B or GND short occurs on the rear lights control system communication bus.



## INSPECTION PROCEDURE

## 1 Check communication circuit inside ECU.

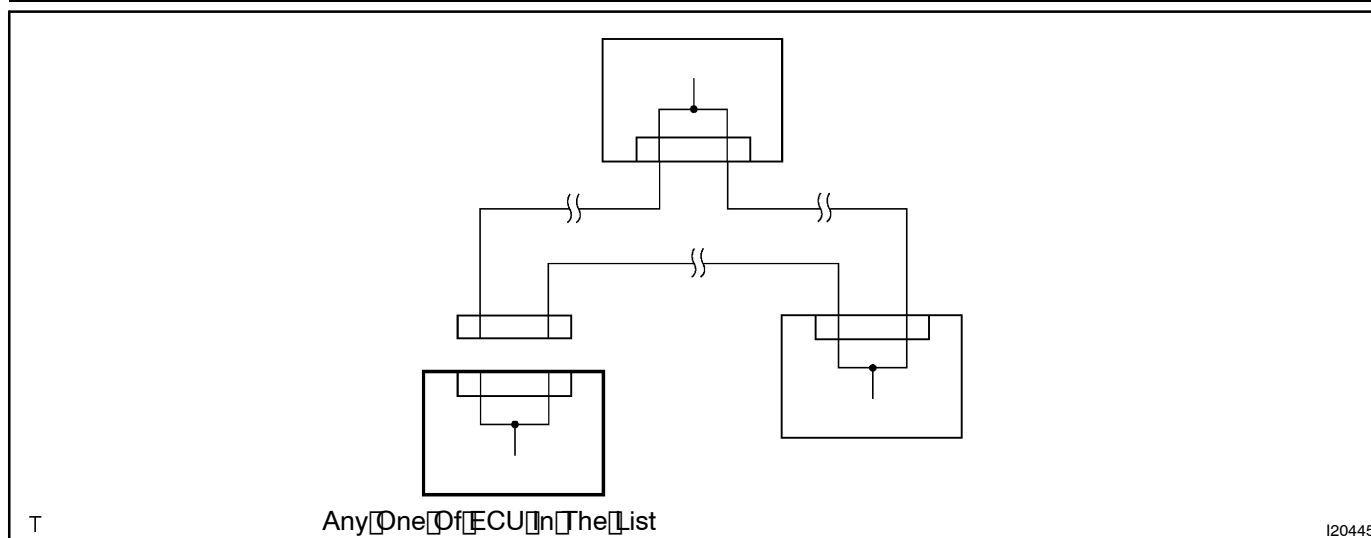
**PREPARATION:**

Disconnect the following connectors of ECU in order from the top downward.

**HINT:**

Before disconnecting the next connector, be sure that removed ECU connector is reconnected.

Disconnect ECU connector	Connector No.
Front Right ECU	
Luggage Room J/B ECU	L13
Clearance Sonar ECU	C17
Combination Switch	C14
Power Tilt and power Telescopic ECU	P7
Steering Pad Switch	C13
Driver Side J/B ECU	D2, D4

**CHECK:**

Check the DTC every time each connector is disconnected.

**OK:**

DTC B1291 or B1292 is not output.

OK

Replace corresponding ECU (ECU for which DTC is deleted is defective.)  
(See page N-35).

NG

<b>2</b>	<b>Check for short circuit between ECUs.</b>
----------	--

**PREPARATION:**

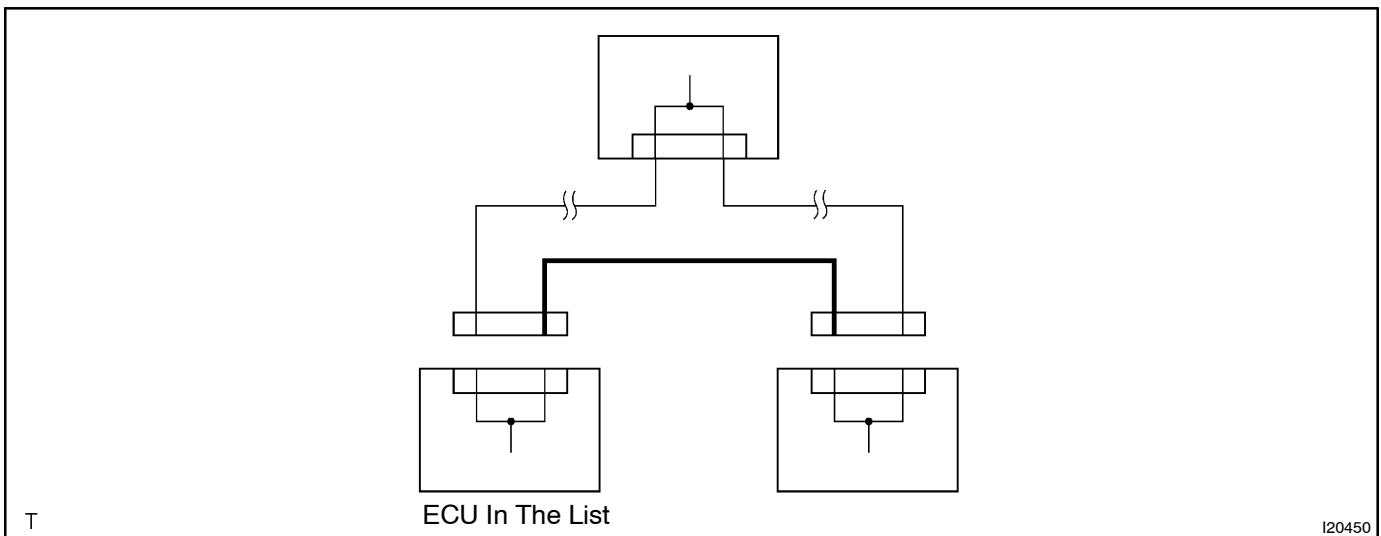
Disconnect the following pairs of ECU connectors simultaneously, from the top downward.

**HINT:**

- Before disconnecting the next connector, be sure that disconnected ECU connector is reconnected.
- The short circuit check can be performed on the circuit by disconnecting it from the MPX communication bus circuit

If DTC is deleted, this means that the circuit being checked is short-circuited and it must be repaired

Disconnect ECU connector	Connector No.
Front light ECU Driver side J/B ECU	D2
Luggage room J/B ECU Combination switch	L13 C14
Luggage room J/B ECU Clearance sonar ECU	L13 C17
Combination switch Power tilt and power telescopic ECU	C14 P7
Power tilt and power telescopic ECU Driver side J/B ECU	P7 D4
Driver side J/B ECU Steering pad switch	D4 C13

**CHECK:**

Check the DTC every time a pair of connectors are disconnected.

**OK:**

DTC B1291 or B1292 is not output.

OK

Repair or replace corresponding wire harness.

NG

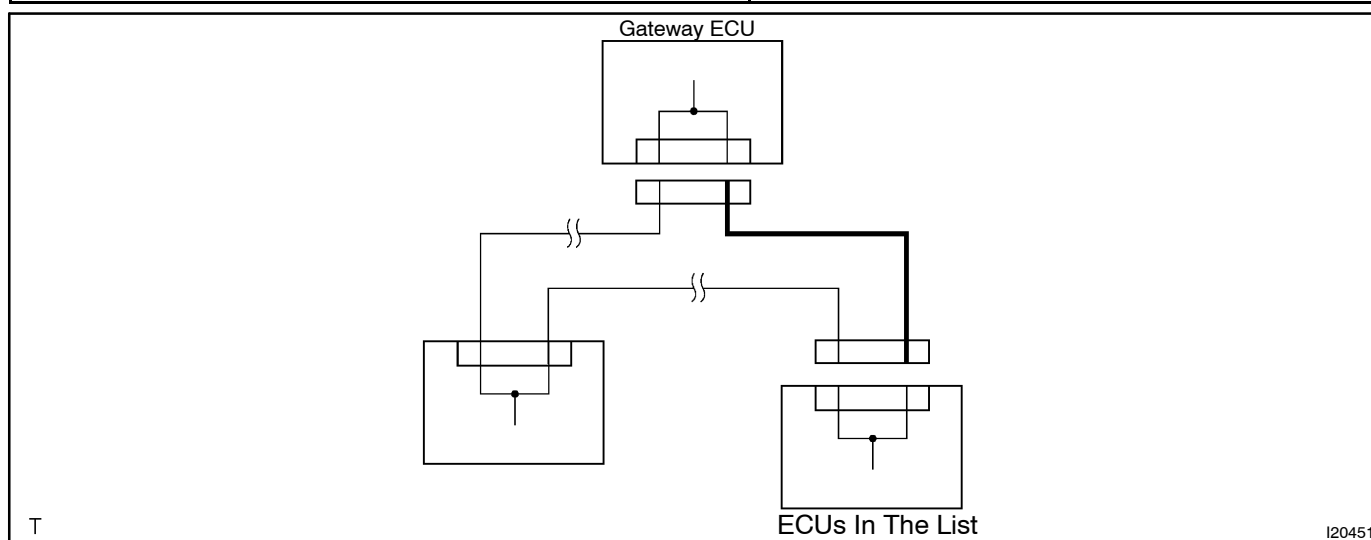
**3 Check for short circuit.****PREPARATION:**

Disconnect the following ECU connectors.

HINT:

Before disconnecting the next connector, be sure that disconnected ECU connector is reconnected.

Disconnect ECU connector	Connector No.
Gateway ECU Front light ECU	G1
Gateway ECU Luggage room J/B ECU	G1 L13

**CHECK:**

Check whether or not there is +B short and GND short between the above connector.

**OK:**

No +B short and GND short.

NG

Repair or replace corresponding wire harness between [\(See page IN-35\)](#).

OK

Replace gateway ECU [\(See page IN-35\)](#).