

DTC	B1285	Steering pad switch communication stop
------------	--------------	---

CIRCUIT DESCRIPTION

This DTC is output when communication stops between the steering pad switch and the gateway ECU.

DTC No.	DTC Detecting Condition	Trouble Area
B1285	No communication from steering pad switch ECU for more than 10 seconds.	<ul style="list-style-type: none"> • Steering pad switch • Wire harness

WIRING DIAGRAM

See [page DI-1533](#).

INSPECTION PROCEDURE

1	Check wire harness.
----------	----------------------------

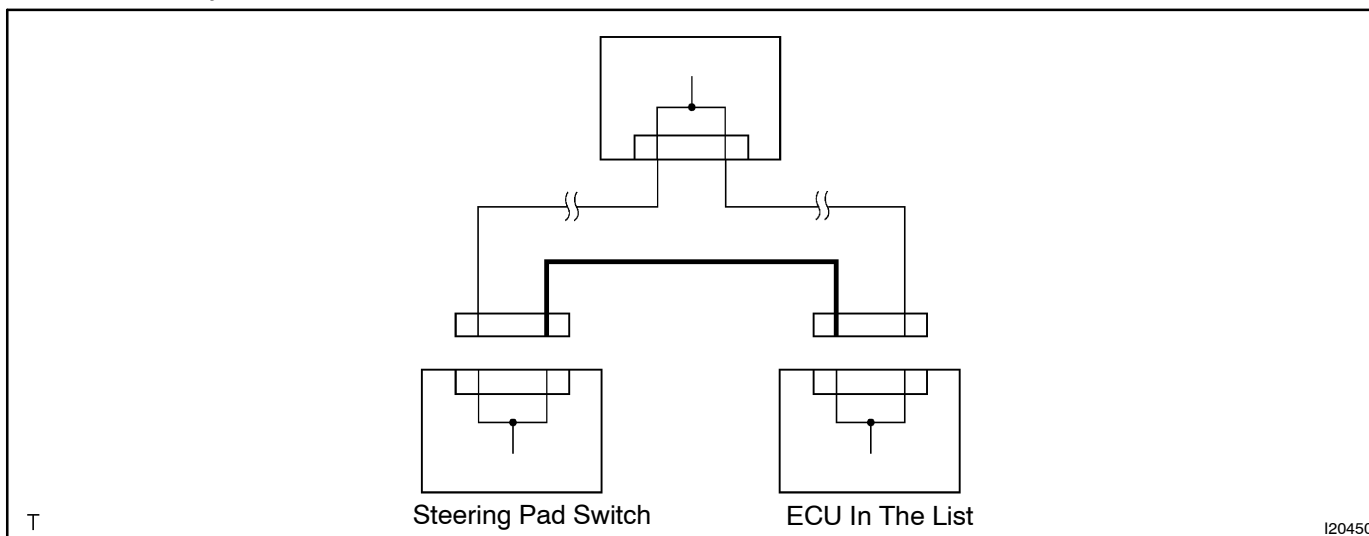
PREPARATION:

Pull out the ECU connectors mentioned below.

Wire harness side connector of ECU	Terminal
Steering pad switch - Driver side J/B ECU	MPX (C13-3) - MPX3 (D4-6)

CHECK:

Check continuity of the wire harness between the connectors.



OK:

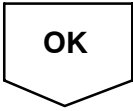
There is a continuity between the connectors.

HINT:

If there is OPEN in any wire harness, please repair it.



Repair or replace wire harness.



Replace steering pad switch (See page IN-35).