

DTC	B1282	Skid Control ECU communication stop
------------	--------------	--------------------------------------------

CIRCUIT DESCRIPTION

This DTC is output when communication stops between the skid control ECU and the gateway ECU.

DTC No.	DTC Detecting Condition	Trouble Area
B1282	No communication from skid control ECU for more than 10 seconds.	<ul style="list-style-type: none"> • Skid control ECU • Wire harness

WIRING DIAGRAM

See [page DI-1504](#).

INSPECTION PROCEDURE

1	Check wire harness.
----------	----------------------------

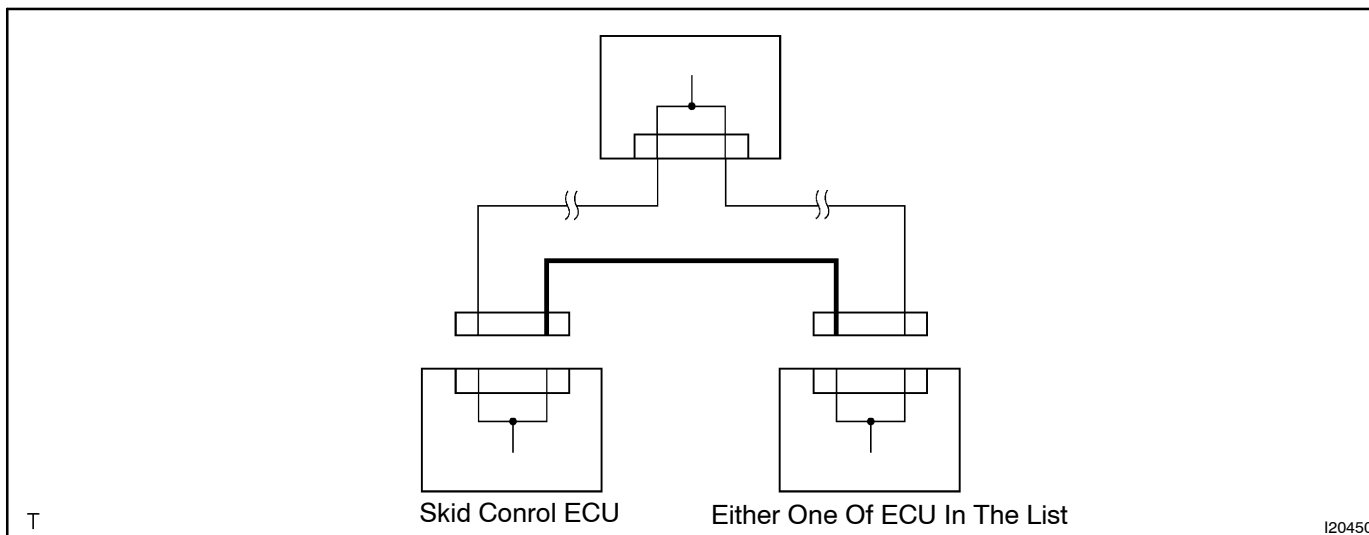
PREPARATION:

Pull out the ECU connectors mentioned below.

Wire harness side connector of ECU	Terminal
Skid control ECU - Combination meter	MPX1 (S13-8) - MPX- (C12-3)
Skid control ECU - Airbag sensor assembly	MPX2 (S13-19) - MPX1 (A27-24)

CHECK:

Check continuity of the wire harness between the connectors.



OK:

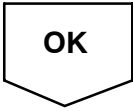
There is a continuity between the connectors.

HINT:

If there is OPEN in any wire harness, please repair it.



Repair or replace wire harness.



Replace skid control ECU (See page IN-35).