

<b>DTC</b>	<b>B1281</b>	<b>Airbag ECU circuit malfunction</b>
------------	--------------	---------------------------------------

## CIRCUIT DESCRIPTION

This DTC is output when communication stops between the airbag sensor assembly and the gateway ECU.

DTC No.	DTC Detecting Condition	Trouble Area
B1281	No communication from airbag sensor assembly for more than 10 seconds.	<ul style="list-style-type: none"> <li>Airbag sensor assembly</li> <li>Wire harness</li> </ul>

## WIRING DIAGRAM

See page DI-1504.

## INSPECTION PROCEDURE

<b>1</b>	<b>Check airbag sensor assembly.</b>
----------	--------------------------------------

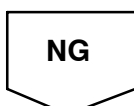
### CHECK:

Check whether or not DTC is output after replacing the airbag sensor assembly.

### OK:

DTC must not be output.

<b>OK</b>	<b>Replace airbag sensor assembly (Original airbag sensor assembly is faulty.) (See page N-35).</b>
-----------	---



<b>2</b>	<b>Check wire harness.</b>
----------	----------------------------

### PREPARATION:

Pull out the ECU connectors mentioned below.

### LHD:

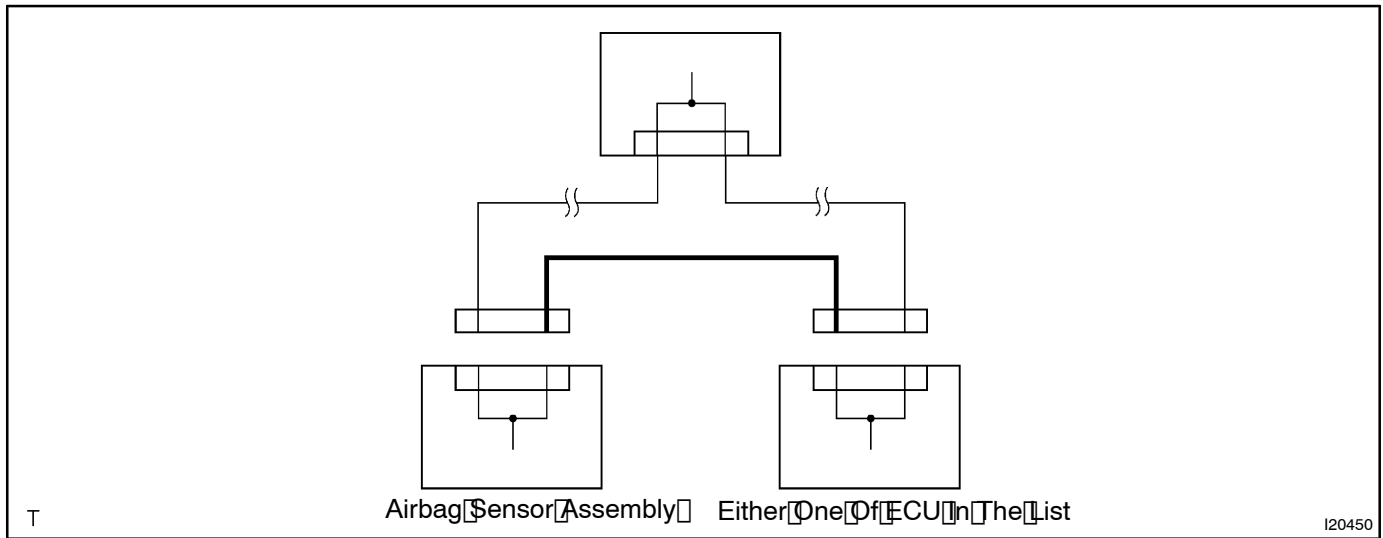
Wire harness side connector of ECU	Terminal
Airbag sensor assembly - Skid control ECU	MPX1 (C27-24) - MPX2 (S13-19)
Airbag sensor assembly - Passenger side J/B ECU	MPX2 (C27-22) - AIRBAG (PH-2)

### RHD:

Wire harness side connector of ECU	Terminal
Airbag sensor assembly - Skid control ECU	MPX1 (A27-24) - MPX2 (S13-19)
Airbag sensor assembly - Passenger side J/B ECU	MPX2 (A27-22) - AIRBAG (PH-3)

**CHECK:**

Check continuity of the wire harness between the connectors.

**OK:**

There is a continuity between the connectors.

**HINT:**

If there is OPEN in any wire harness, please repair it.

NG

Repair or replace wire harness or connector.

OK

Replace airbag sensor assembly (See page IN-35).