

DTC	B1279	Rain sensor communication stop
------------	--------------	---------------------------------------

CIRCUIT DESCRIPTION

This DTC is output when communication stops between the rain sensor and the gateway ECU.

DTC No.	DTC Detecting Condition	Trouble Area
B1279	No communication from rain sensor ECU for more than 10 seconds.	<ul style="list-style-type: none"> • Rain sensor • Wire harness

WIRING DIAGRAM

See page DI-1482.

INSPECTION PROCEDURE

1	Check rain sensor.
---	---------------------------

CHECK:

Check that the auto wiper system operates normally.

HINT:

With this inspection, whether or not the rain sensor CPU functions normally can be diagnosed.

NG

Replace the rain sensor (See page IN-35).

YES

2	Check wire harness.
---	----------------------------

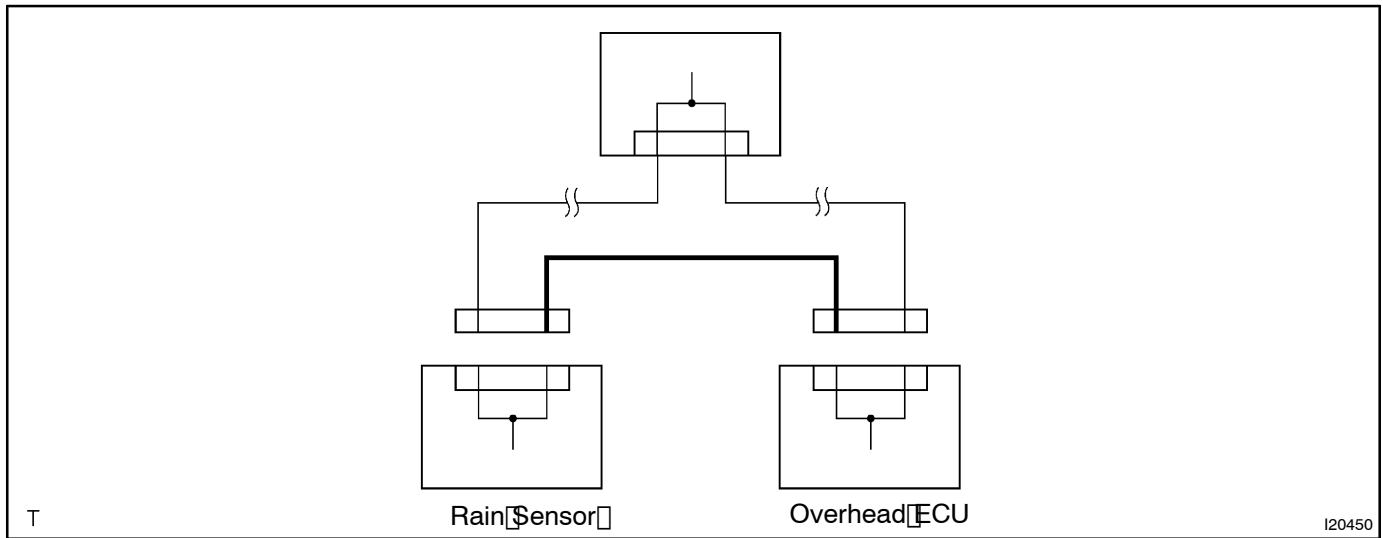
PREPARATION:

Pull out the ECU connectors mentioned below.

Wire harness side connector of ECU	Terminal
Rain sensor - Overhead J/B	MPX (R8-2) - MPX1 (O6-30)

CHECK:

Check continuity of the wire harness between the connectors.

**OK:**

There is a continuity between the connectors.

HINT:

If there is OPEN in any wire harness, please repair it.

NG

Repair or replace wire harness.

OK

Replace rain sensor (See page IN-35).