

DTC	B1273	Sliding roof control ECU communication stop (w/ Sliding roof vehicle only)
------------	--------------	---

CIRCUIT DESCRIPTION

This DTC is output when communication stops between the moon roof control ECU and the gateway ECU.

DTC No.	DTC Detecting Condition	Trouble Area
B1273	No communication from moon roof control ECU for more than 10 seconds.	<ul style="list-style-type: none"> • Moon roof control ECU • Wire harness

WIRING DIAGRAM

See [page DI-1482](#).

INSPECTION PROCEDURE

1	Check moon roof control ECU.
----------	-------------------------------------

CHECK:

Check that the operation of the moon roof is normal.

HINT:

With this inspection, whether or not the moon roof control ECU CPU functions normally can be diagnosed.

NG	Replace moon roof control ECU (See page IN-35).
-----------	--



2	Check wire harness.
----------	----------------------------

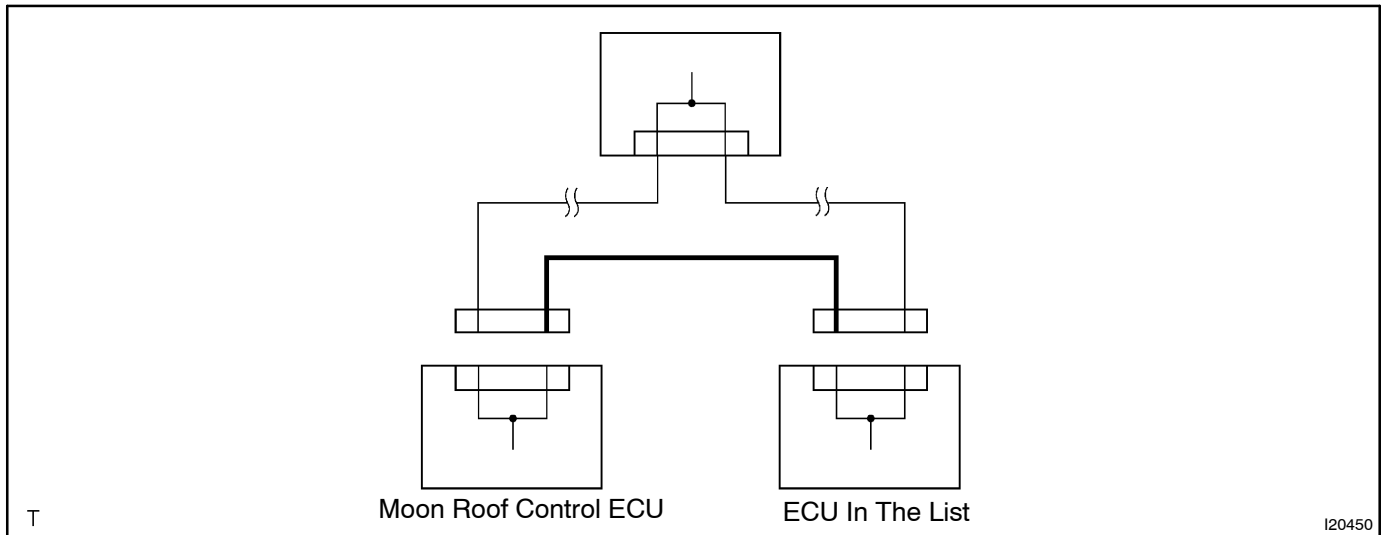
PREPARATION:

Pull out the ECU connectors mentioned below.

Wire harness side connector of ECU	Terminal
Moon roof control ECU – Overhead J/B	MPX1 (M4-2) – MPX2 (O6-14)

CHECK:

Check continuity of the wire harness between the connectors on the wire harness.

**OK:**

There is a continuity between the connectors.

HINT:

If there is OPEN in any wire harness, please repair it.

NG

Repair or replace wire harness.

OK

Replace moon roof control ECU (See page IN-35).