

DTC	B1219	Rear seat control switch communication stop
------------	--------------	--

CIRCUIT DESCRIPTION

This DTC is output when communication stops between the rear seat control switch and the gateway ECU.

DTC No.	DTC Detecting Condition	Trouble Area
B1219	No communication from rear seat control switch for more than 10 seconds.	<ul style="list-style-type: none"> Rear seat control switch Wire harness

WIRING DIAGRAM

See page DI-1482.

INSPECTION PROCEDURE

1	Check rear seat control switch.
---	---------------------------------

CHECK:

Check that the rear power seat system operates normally.

HINT:

With this inspection, whether or not the rear seat control switch CPU functions normally can be diagnosed.

NG

Replace rear seat control switch (See page IN-35).

OK

2	Check wire harness.
----------	----------------------------

PREPARATION:

Pull out the ECU connectors mentioned below.

LHD:

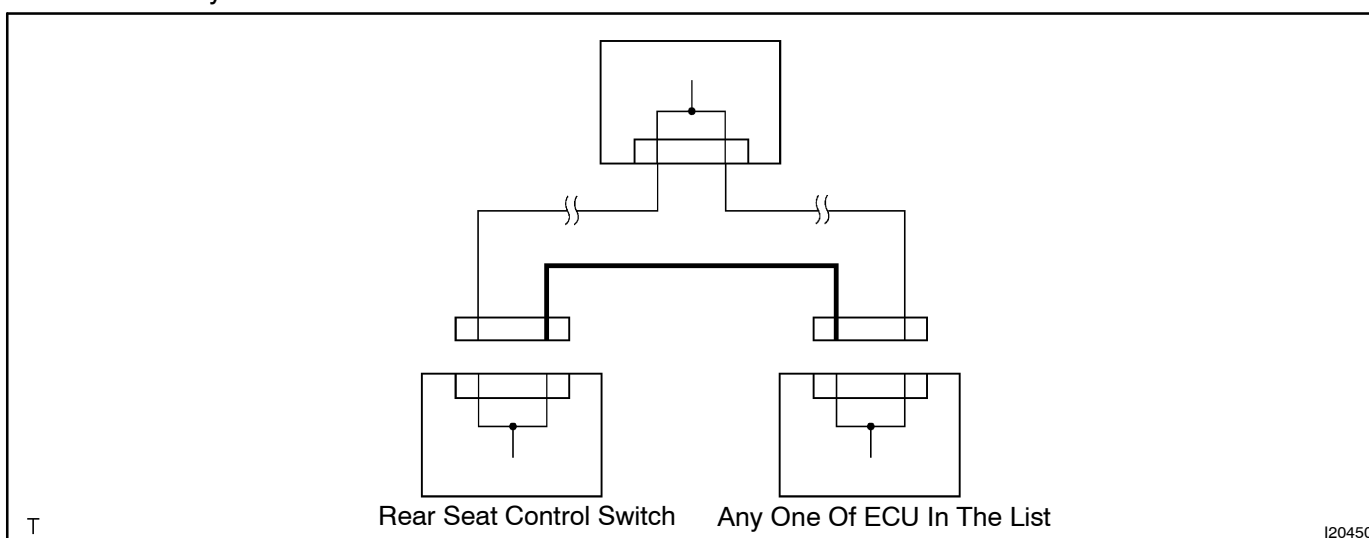
Wire harness side connector of ECU	Terminal
Rear seat control switch - Transponder key ECU	MPX1 (R29-6) - MPX1 (T9-4)
Rear seat control switch - Steering lock ECU (w/ Smart key system)	MPX1 (R29-6) - MPX1 (S17-15)

RHD:

Wire harness side connector of ECU	Terminal
Rear seat control switch - Gateway ECU	MPX1 (R29-6) - MPX2 (G1-15)

CHECK:

Check continuity of the wire harness between the connectors.

**OK:**

There is a continuity between the connectors.

HINT:

If there is OPEN in any wire harness, please repair it.

NG

Repair or replace wire harness.

OK

Replace rear seat control switch (See page IN-35).