

DTC	B1217	Rear left door ECU communication stop
------------	--------------	--

CIRCUIT DESCRIPTION

This DTC is output when communication stops between the rear door left ECU and the gateway ECU.

DTC No.	DTC Detecting Condition	Trouble Area
B1217	No communication from rear door left ECU for more than 10 seconds.	<ul style="list-style-type: none"> • Rear door LH ECU • Wire harness

WIRING DIAGRAM

See page DI-1482.

INSPECTION PROCEDURE

1	Check rear door LH ECU.
---	-------------------------

CHECK:

Check if the rear door left window glass automatically moves up.

HINT:

With this inspection, whether or not the rear door left ECU functions normally can be diagnosed.

NG

Replace rear door LH ECU (See page IN-35).

OK

2 Check wire harness.

PREPARATION:

Pull out the ECU connectors mentioned below.

LHD:

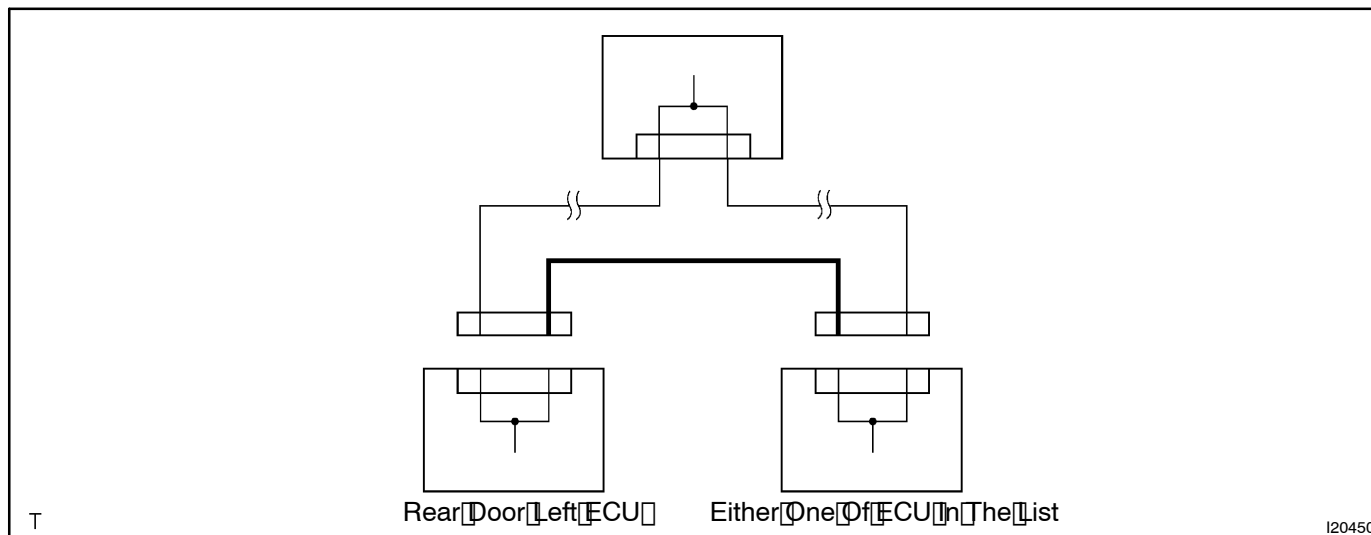
Wire harness side connector of ECU	Terminal
Rear door LH ECU - Driver door ECU	MPX1 (R16-18) - MPX2 (D15-26)
Rear door LH ECU - Rear door RH ECU	MPX2 (R16-20) - MPX1 (R15-18)

RHD:

Wire harness side connector of ECU	Terminal
Rear door LH ECU - Passenger door ECU	MPX2 (R16-20) - MPX1 (F17-17)
Rear door LH ECU - Rear door RH ECU	MPX1 (R16-18) - MPX2 (R15-20)

CHECK:

Check continuity of the wire harness between the connectors.



OK:

There is a continuity between the connectors.

HINT:

If there is OPEN in any wire harness, please repair it.

NG

Repair or replace wire harness.

OK

Replace rear door LH ECU (See page IN-35).