

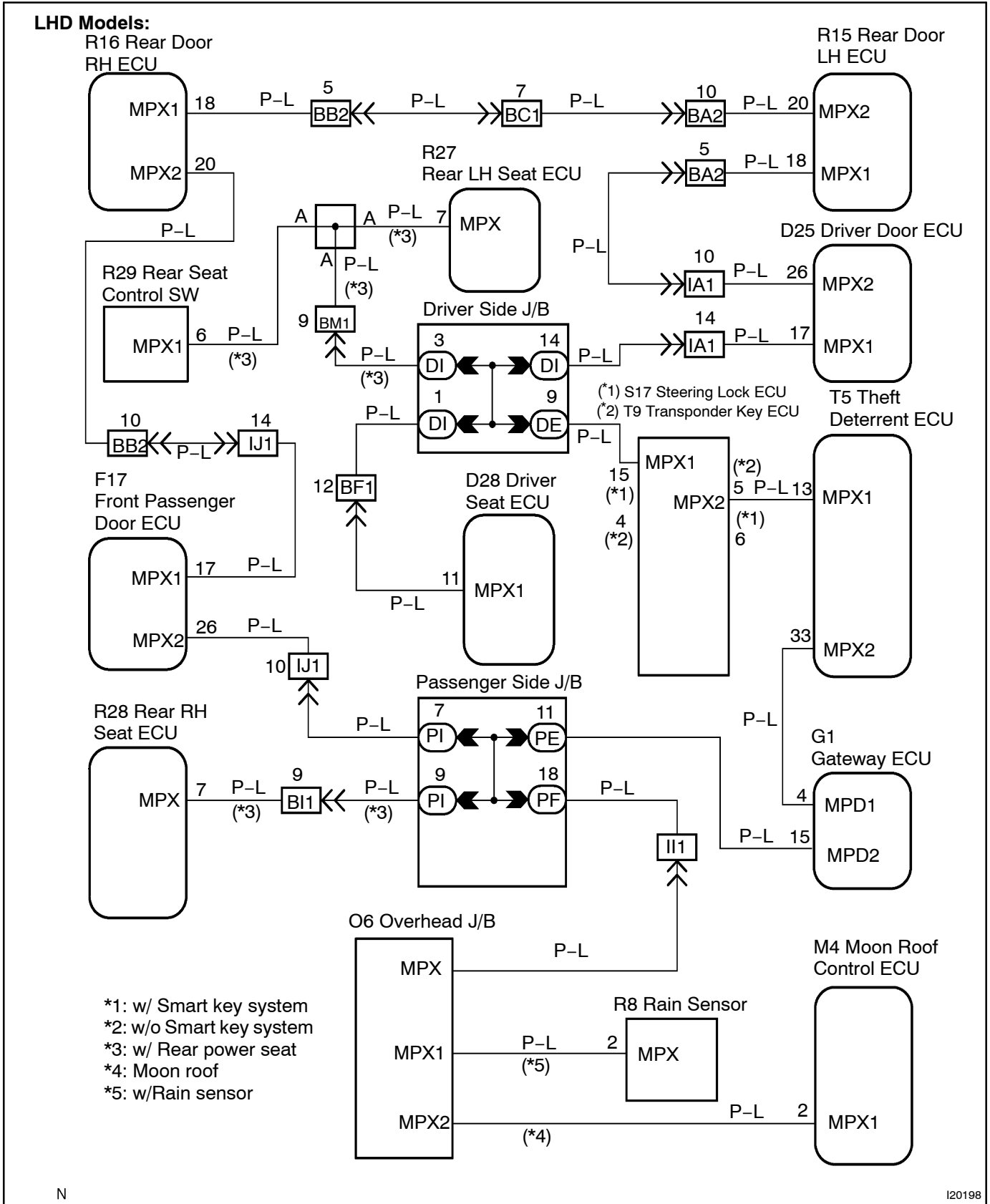
DTC	B1214	Door system communication bus malfunction (+B short)
------------	--------------	---

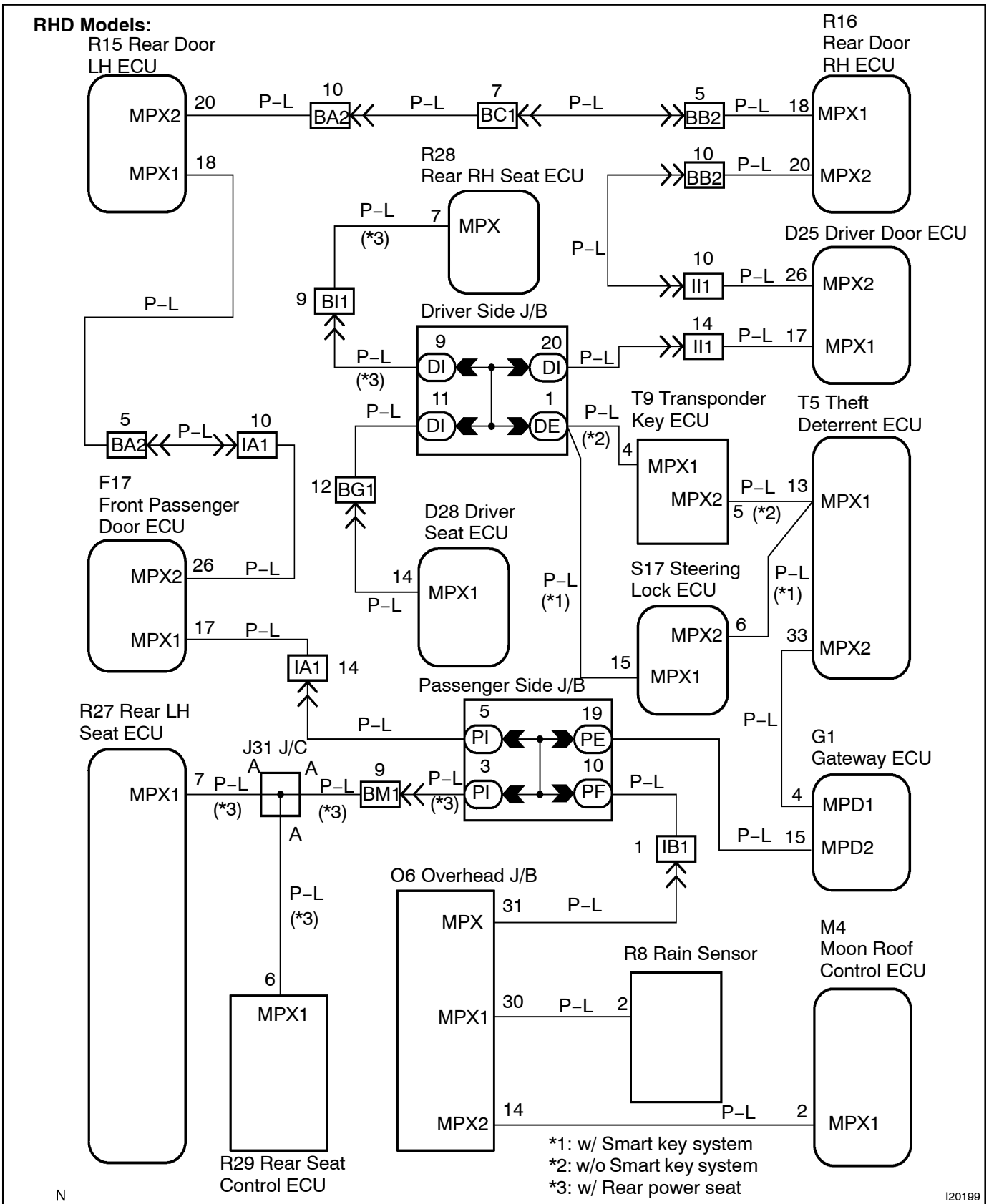
DTC	B1215	Door system communication bus malfunction (GND short)
------------	--------------	--

CIRCUIT DESCRIPTION

This DTC is output when +B or GND short occurs on the door system communication bus.

WIRING DIAGRAM





INSPECTION PROCEDURE

1	Check communication circuit inside ECU.
---	--

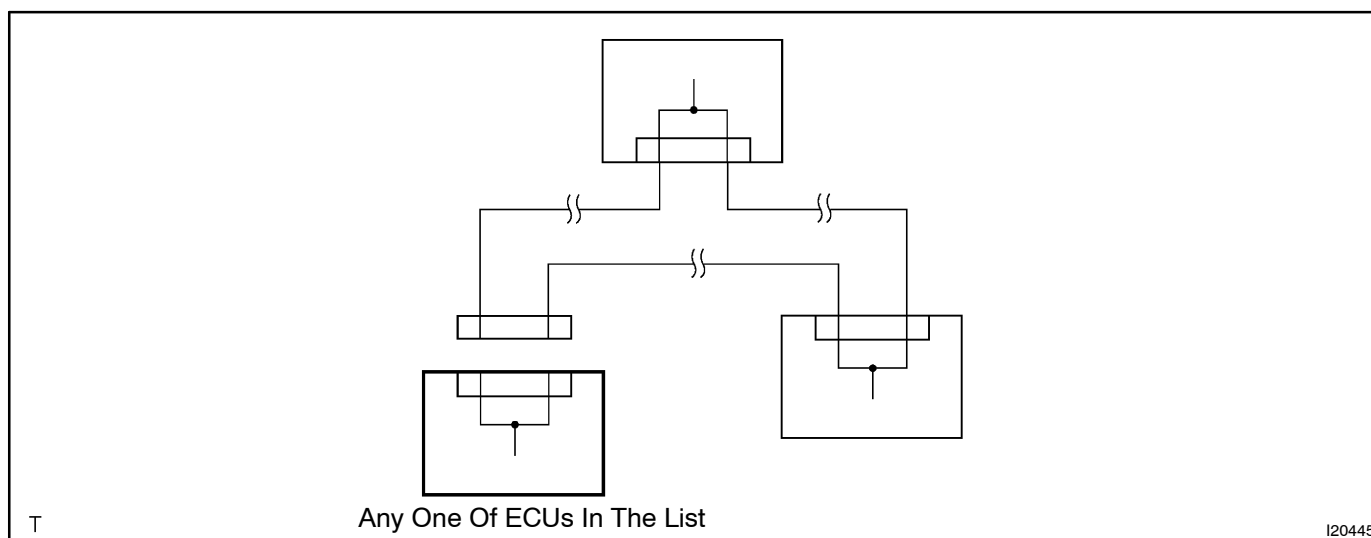
PREPARATION:

Disconnect the following ECU connectors in order from the top downward.

HINT:

Before disconnecting the next connector, be sure that disconnected ECU connector is reconnected.

Disconnect ECU connector	Connector No.
Theft deterrent ECU	T5
Transponder key ECU (w/o smart key system)	T9
Steering lock ECU (w/ smart key system)	S17
Driver seat ECU	D28
Rear seat control switch	R29
Rear LH seat ECU	R27
Driver door ECU	D25
Rear door LH ECU	R16
Rear door RH ECU	R15
Front passenger door ECU	F17
Rear RH seat ECU	R28
Overhead J/B	O6
Rain sensor	R8
Moon roof control ECU	M4



T

I20445

CHECK:

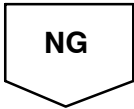
Check the DTC every time each connector is disconnect.

OK:

DTC B1214 or B1215 is not output.



Replace corresponding ECU (ECU for which DTC is deleted is defective.)
(See page N-35).



2 Check for short circuit between ECUs.

PREPARATION:

Disconnect each group of ECU connectors simultaneously, in order from the top.

HINT:

- Before disconnecting the next connector, be sure that disconnected ECU connectors are reconnected.
- The short circuit check can be preformed on the circuit by disconnecting it from the MPX communication bus circuit.

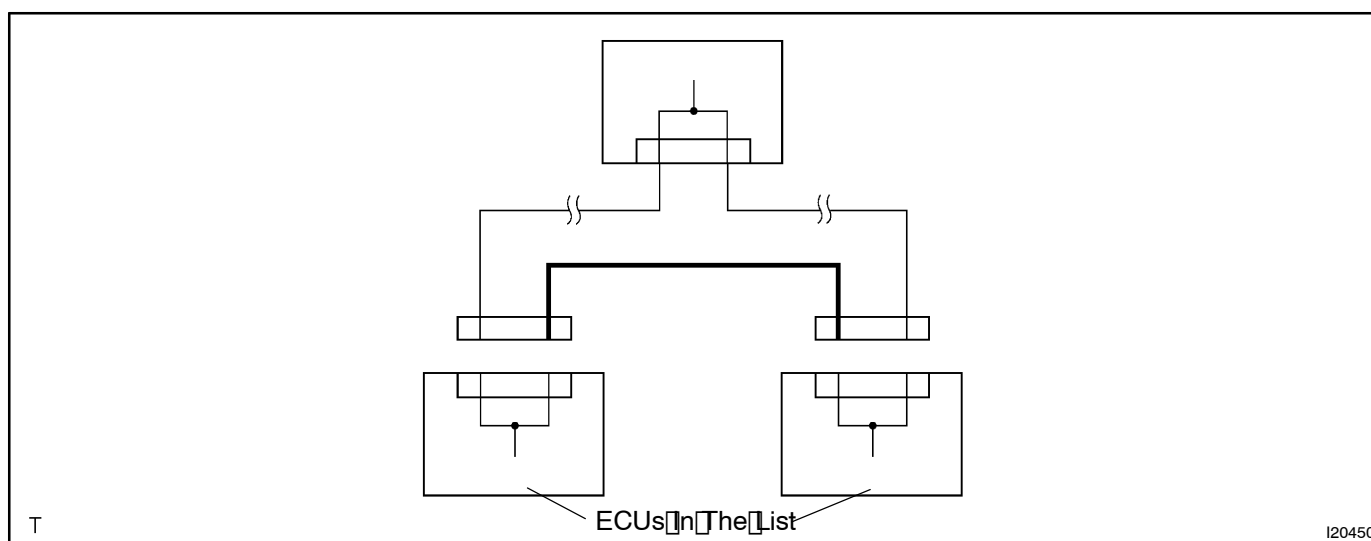
If DTC is deleted, this means that the circuit being checked is short circuited and it must be repaired.

LHD:

Disconnect ECU connector	Connector No.
Theft deterrent ECU	T5
Transponder key ECU (w/o smart key system)	T9
Steering lock ECU (w/ smart key system)	S17
Transponder key ECU (w/o smart key system)	T9
Steering lock ECU (w/ smart key system)	S17
Driver door ECU	D25
Driver door ECU	D25
Rear door LH ECU	R16
Rear door LH ECU	R16
Rear door RH ECU	R15
Rear door RH ECU	R15
Front passenger door ECU	F17
Gateway ECU	G1
Overhead J/B	O6
Gateway ECU	G1
Rear RH seat ECU	R28
Rain sensor	R8
Overhead J/B	O6
Moon roof control ECU	M4
Overhead J/B	O6

RHD:

Disconnect ECU connector	Connector No.
Theft/deterrent ECU	T5
Transponder key ECU (w/o smart key system)	T9
Steering lock ECU (w/ smart key system)	S17
Transponder key ECU (w/o smart key system)	T9
Steering lock ECU (w/ smart key system)	S17
Driver door ECU	D25
Driver door ECU	D25
Rear door RH ECU	R15
Rear door RH ECU	R15
Rear door LH ECU	R16
Rear door LH ECU	R16
Front passenger door ECU	F17

**CHECK:**

Check the DTC every time a pair of connectors are disconnected.

OK:

DTC B1214 or B1215 is not output.

HINT:

If DTC is deleted when the overhead ECU is disconnected, check the overhead ECU. (See page BE-197)

OK

Repair or replace corresponding wire harness.

NG

3	Check for short circuit.
----------	---------------------------------

PREPARATION:

Disconnect the following connectors of ECU.

HINT:

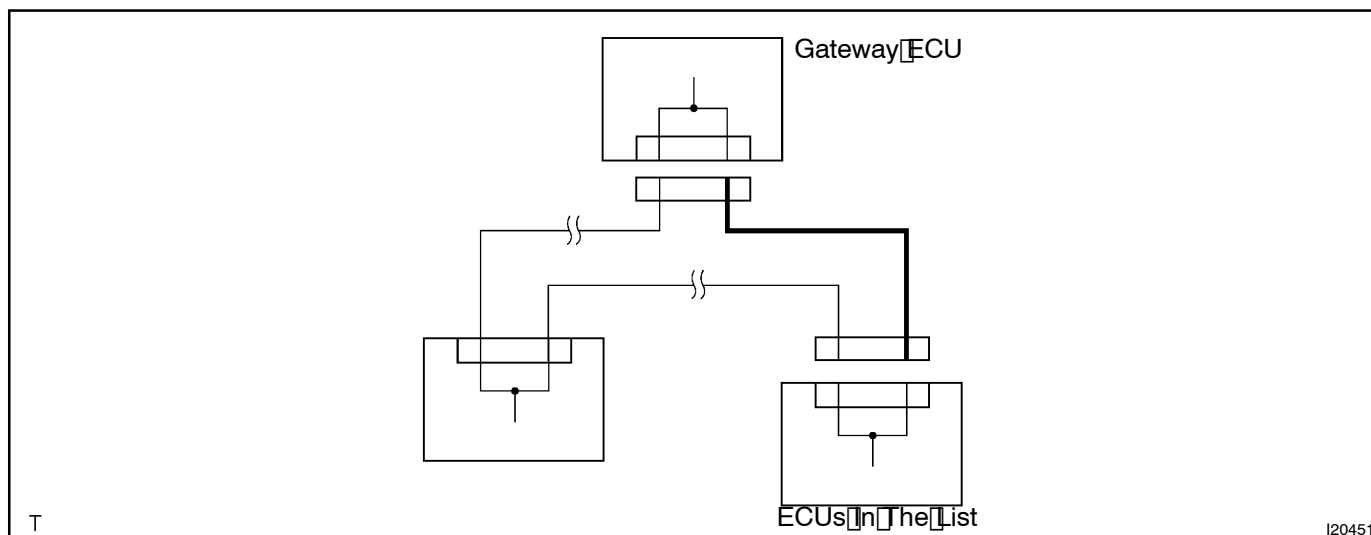
Before disconnecting the next connector, be sure reconnect the ECU connector that is already disconnected.

LHD:

Disconnect ECU connector	Connector No.
Gateway ECU Overhead J/B	G1 O6
Gateway ECU Rear RH seat ECU	G1 R28
Rain sensor Overhead J/B	G1 O6
Moon roof control ECU Overhead J/B	M4 O6

RHD:

Disconnect ECU connector	Connector No.
Gateway ECU Overhead J/B	G1 O6
Gateway ECU Rear seat switch	G1 R29
Rear LH seat ECU Gateway ECU	R16 G1
Overhead J/B Rain sensor	O6 R8
Overhead J/B Moon roof control ECU	O6 M4

**CHECK:**

Check whether or not there is a B short and GND short between the above connectors.

OK:

No B short and GND short.

NG

Repair or replace corresponding wire harness.

OK

Replace gateway ECU (See page N-35).