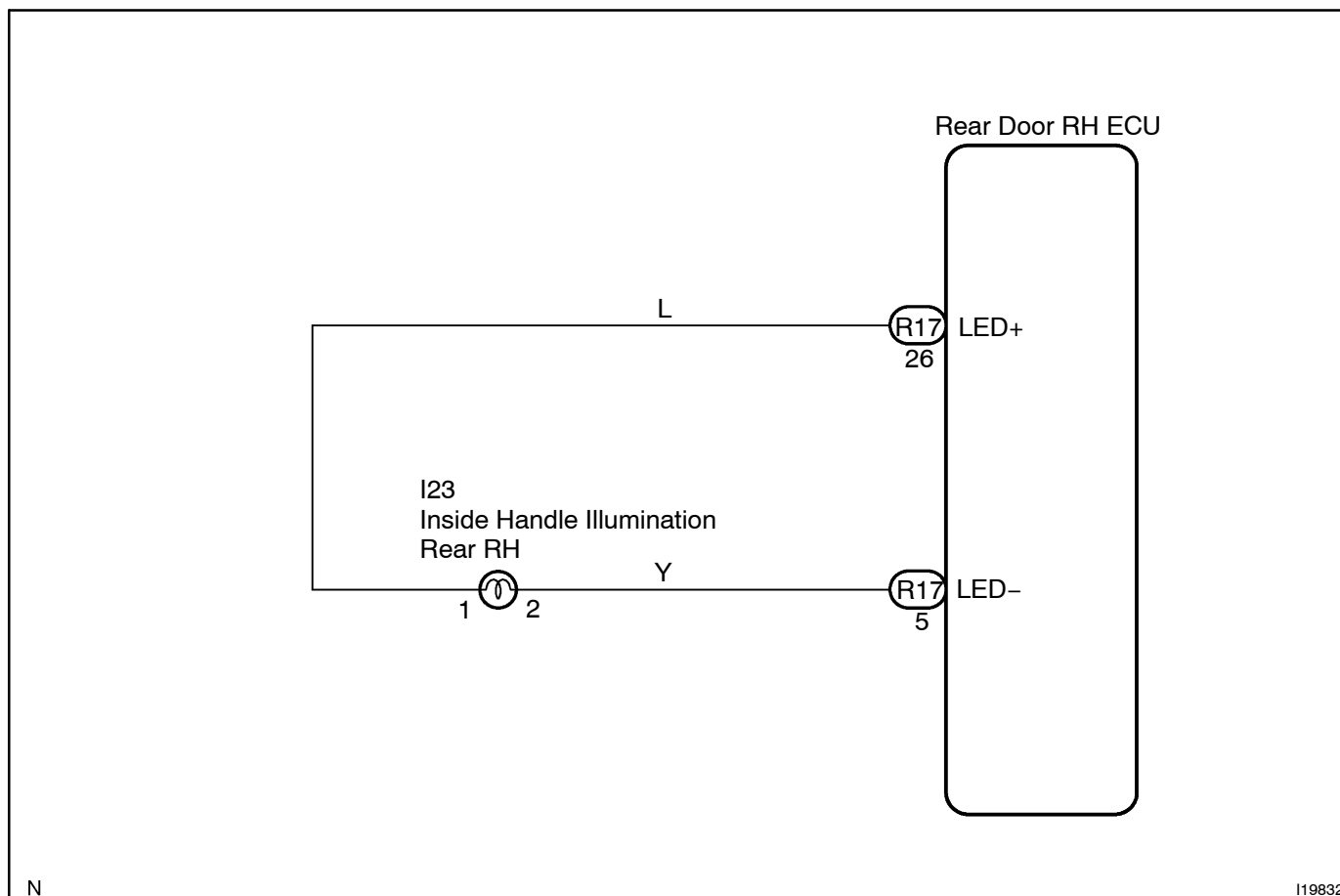


Inside handle illumination circuit

CIRCUIT DESCRIPTION

The inside handle illumination goes on when the door is open and goes off when closed. When the A/T shift lever is in R position, the inside handle illumination lights up by signal the rear right door ECU.

WIRING DIAGRAM



INSPECTION PROCEDURE

HINT:

In case of using the LEXUS hand-held tester, start the inspection from step 1 and in case of not using the LEXUS hand-held tester, start from step 2.

1 Check inside handle illumination using LEXUS hand-held tester.

PREPARATION:

Connect the LEXUS hand-held tester to DLC3.

CHECK:

Check that the inside handle illumination can light in ACTIVE TEST.

OK

Proceed to next circuit inspection shown on problem/symptom table (See page DI-1339).

NG

2 Check inside handle illumination (See page DI-1384).

NG

Replace inside handle illumination.

OK

3 Check wire harness and connector between inside handle illumination and rear door RH ECU (See page N-35).

NG

Repair or replace wire harness or connector.

OK

Proceed to next circuit inspection shown on problem/symptom table (See page DI-1339).