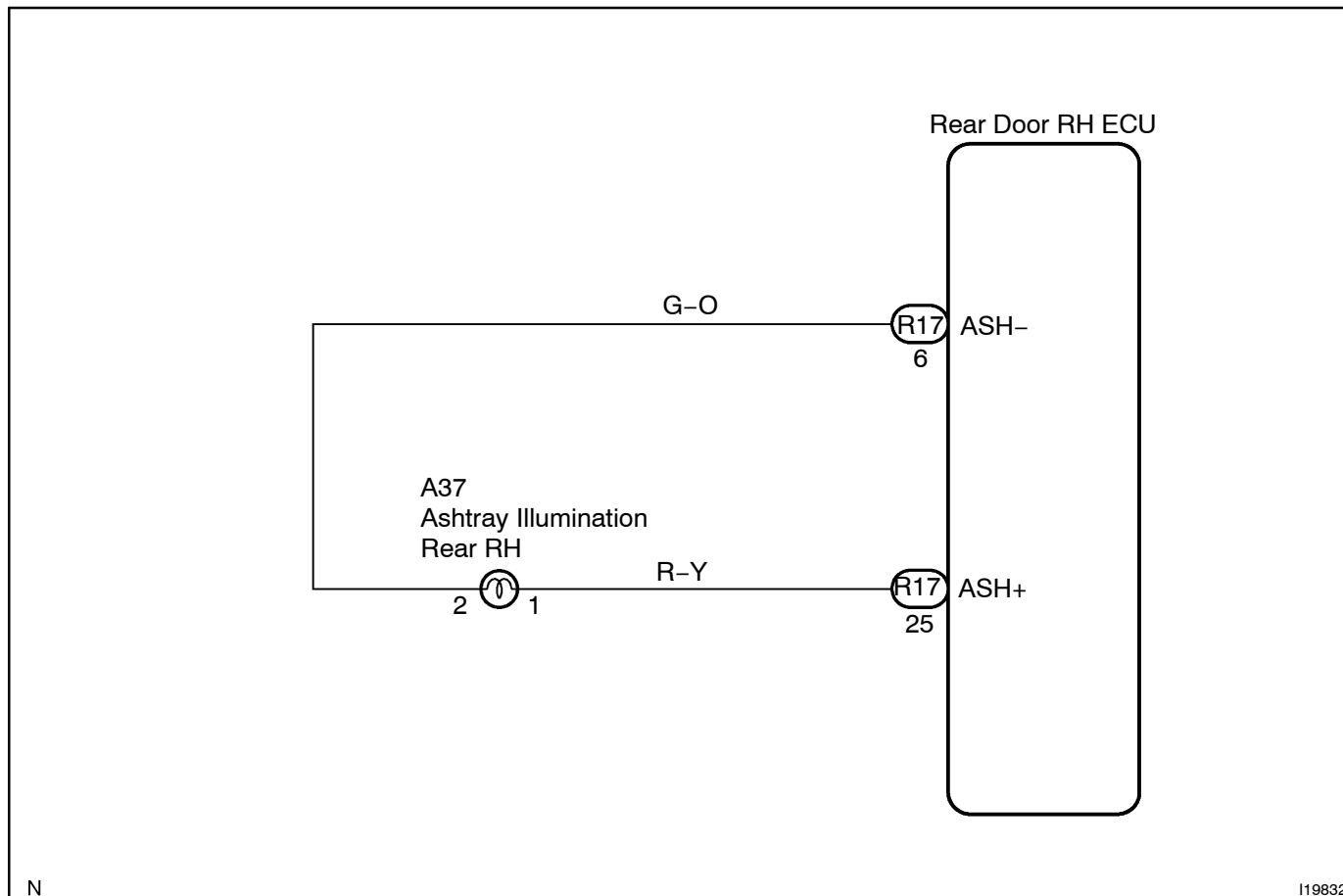


## Ashtray light circuit

### CIRCUIT DESCRIPTION

The ashtray illumination goes on when the ashtray lid is opened and goes off when closed.

### WIRING DIAGRAM



**INSPECTION PROCEDURE**

1 Check ashtray light (See page BE-49).

NG

Replace ashtray light.

OK

2 Check wireharness and connector between ashtray light and rear door RH ECU (See page IN-35).

NG

Repair or replace wireharness or connector.

OK

Proceed to next circuit inspection shown on problem symptoms table (See page DI-1339).