

Rear Seat Memory switch circuit (W/ memory)

CIRCUIT DESCRIPTION

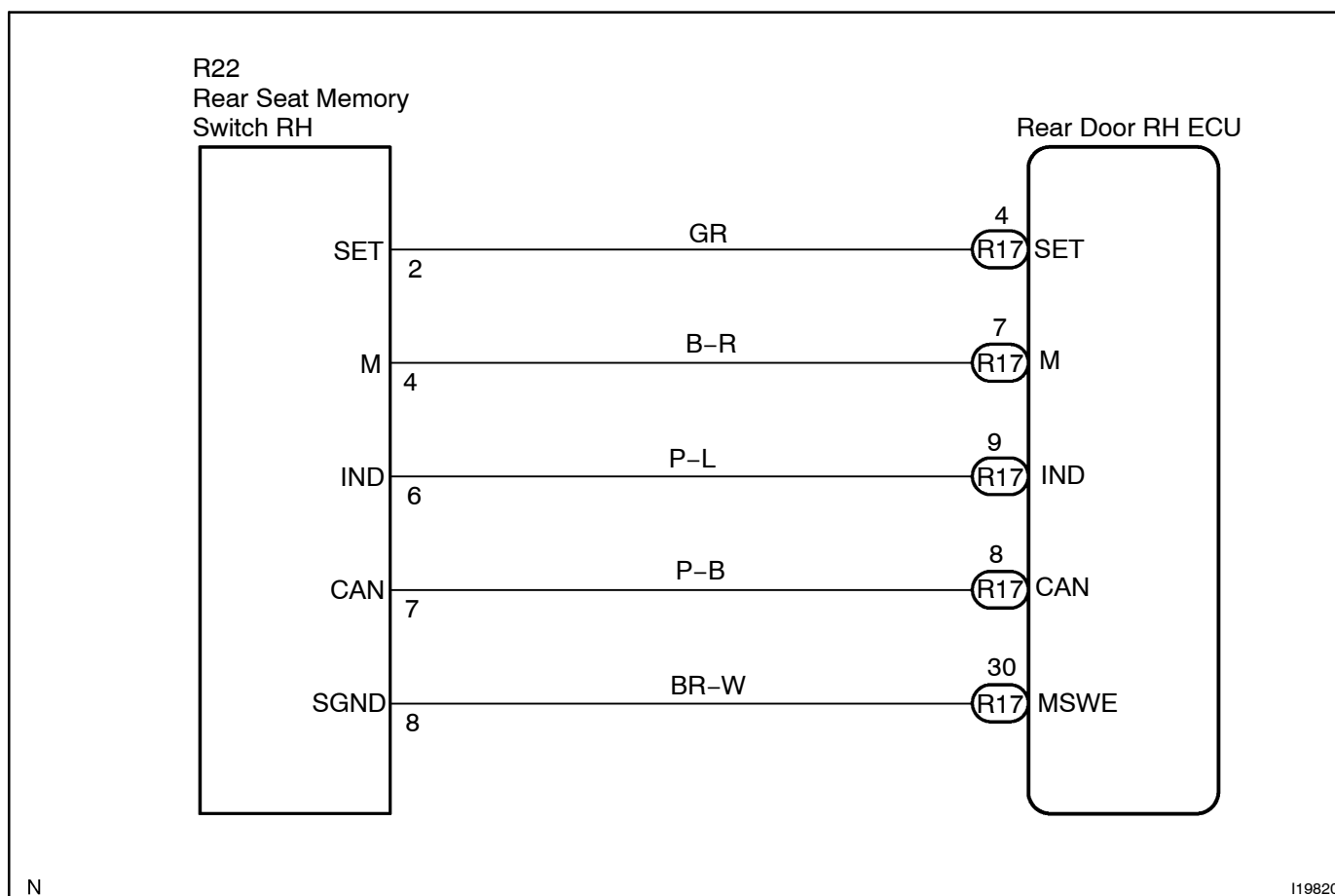
Each terminal receives of the following switch signals.

M: Memory switch signal

SET: Memorized positions reproduction switch signal

CAN: Cancel switch signal

WIRING DIAGRAM



INSPECTION PROCEDURE

HINT:

In case of using the LEXUS hand-held tester, start the inspection from step 1 and in case of not using the LEXUS hand-held tester, start from step 2.

1 Check memory switch using LEXUS hand-held tester.

PREPARATION:

Connect the LEXUS hand-held tester to DLC 3.

CHECK:

Check that the memory switch using DATA LIST.

OK

Proceed to next circuit inspection shown on problem symptoms table (See page DI-1339).

NG

2 Check memory switch (See page BE-143).

NG

Replace memory switch.

OK

3 Check wireharness and connector between memory switch and rear door RH ECU (See page IN-35).

NG

Repair or replace wireharness or connector.

OK

Proceed to next circuit inspection shown on problem symptoms table (See page DI-1339).