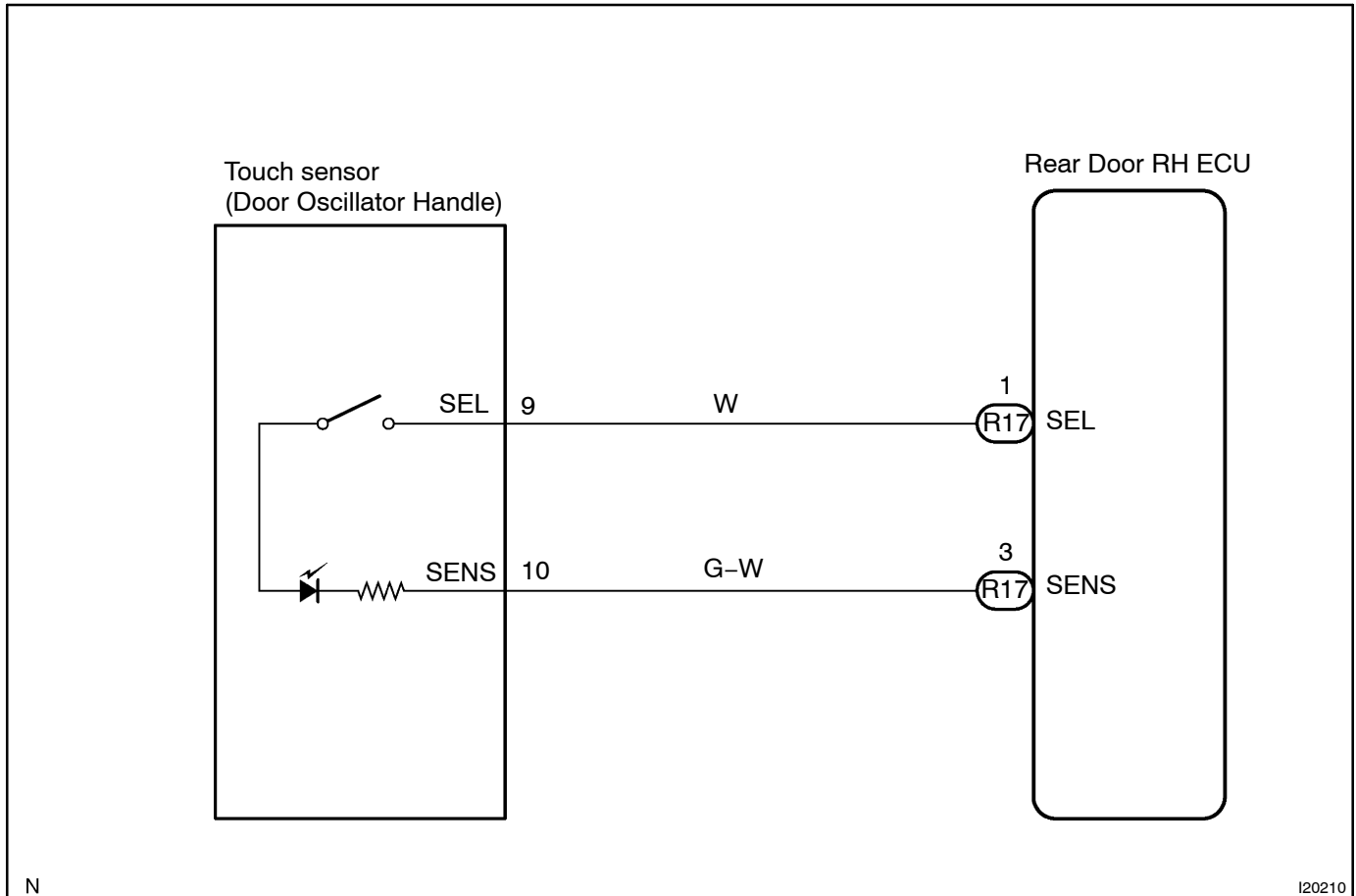


Touch sensor circuit

CIRCUIT DESCRIPTION

SENS: This terminal receives the signal indicating whether or not a touch sensor signal is detected.

WIRING DIAGRAM



INSPECTION PROCEDURE

HINT:

In case of using the LEXUS hand-held tester, start the inspection from step 1 and in case of not using the LEXUS hand-held tester, start from step 2.

1	Check touch sensor using LEXUS hand-held tester.
----------	---

PREPARATION:

Connect the LEXUS hand-held tester to the DLC 3.

CHECK:

- (a) Check the touch sensor using DATA LIST.
- (b) During the check with LEXUS hand-held tester, touching are outside handle turns the touch sensor ON. (The sensor is turned ON only at the moment of touching.)

HINT:

At the time, every touching the outside handle unlocks the door.

OK

Proceed to next circuit inspection shown on problem symptoms table (See page DI-1339).

NG

2	Check wireharness and connector between touch sensor and rear door RH ECU (See page IN-35).
----------	--

NG

Replace outside handle.

OK

Proceed to next circuit inspection shown on problem symptoms table (See page DI-1339).