

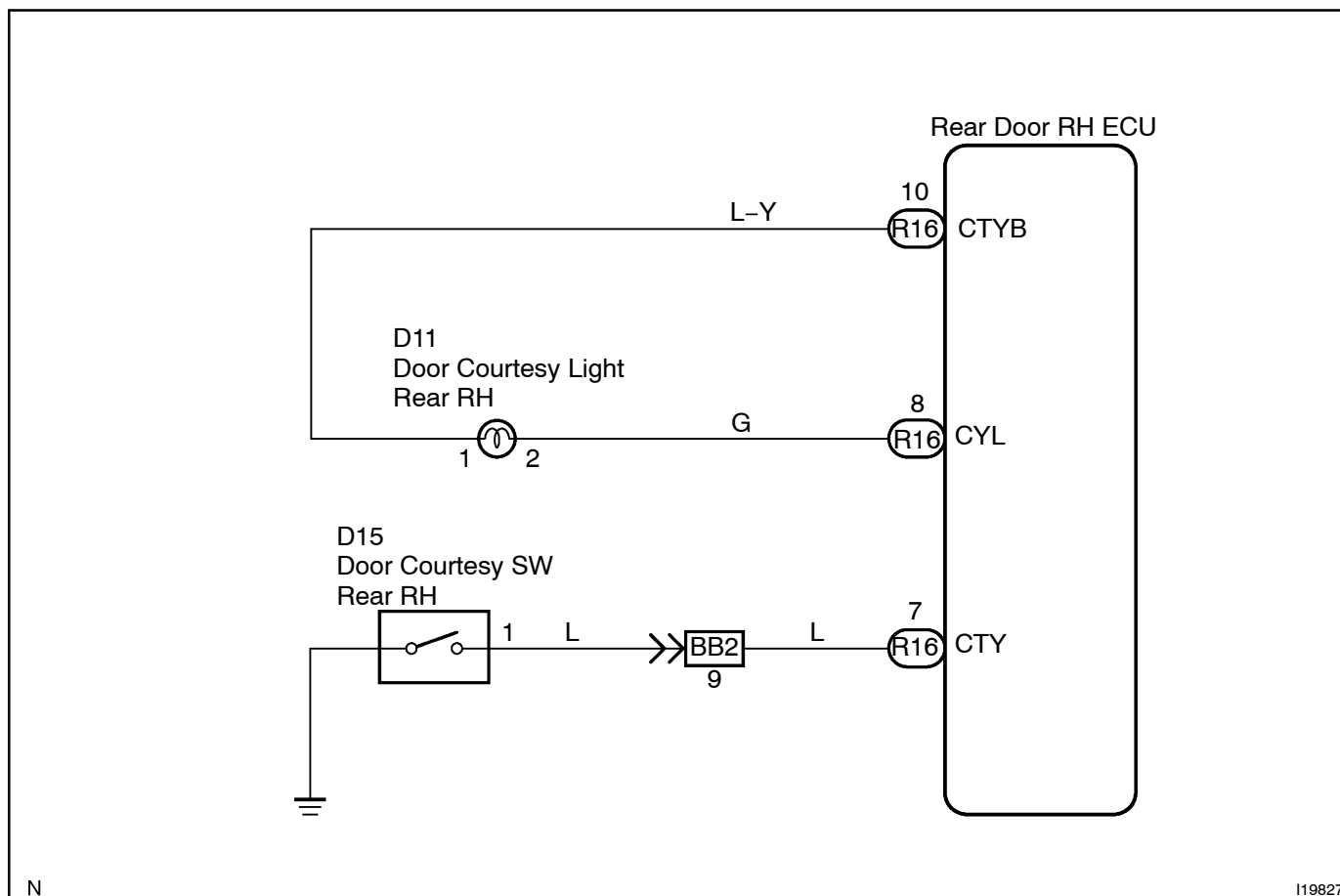
Door courtesy light and courtesy switch circuit

CIRCUIT DESCRIPTION

The door courtesy light goes on when the door is open and goes off when the door is closed.

The rear right door ECU detects the condition of the door courtesy switch and sends the information to the each ECU via the multiplex communication circuit.

WIRING DIAGRAM



INSPECTION PROCEDURE**HINT:**

In case of using the LEXUS hand-held tester, start the inspection from step 1 and in case of not using the LEXUS hand-held tester, start from step 2.

1 Check door courtesy switch using LEXUS hand-held tester.

PREPARATION:

Connect the LEXUS hand-held tester to DLC3.

CHECK:

Check that the door courtesy switch can using DATA LIST.

OK

Proceed to next circuit inspection shown on problem symptoms table (See page DI-1339).

NG

2 Check operation of door courtesy switch.

CHECK:

Check that the door courtesy switch comes on when a door is open, and goes off when the door is closed.

OK:

Must be operated normally.

OK

Proceed to next circuit inspection shown on problem symptoms table (See page DI-1339).

NG

3 Check courtesy switch (See page BE-52).

NG

Replace courtesy switch.

OK

4 Check courtesy light (See page BE-52).

NG

Replace the courtesy light.

OK

5 Check wireharness and connector between courtesy light and rear door RH ECU, and those between courtesy switch and rear door RH ECU (See page IN-35).

NG

Repair or replace wireharness or connector.

OK

Proceed to next circuit inspection shown on problem symptoms table (See page DI-1339).