

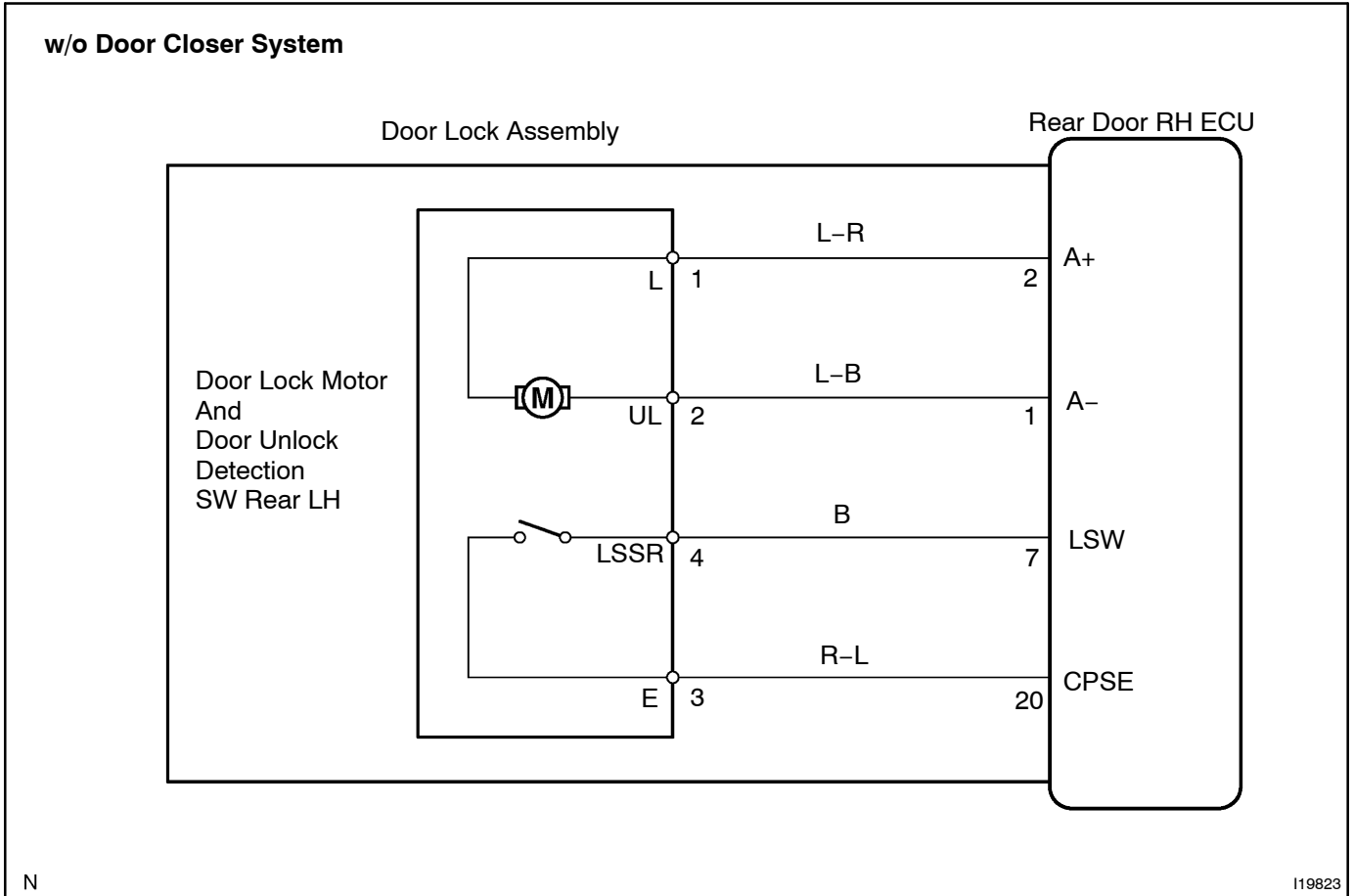
Door unlock detection switch circuit

CIRCUIT DESCRIPTION

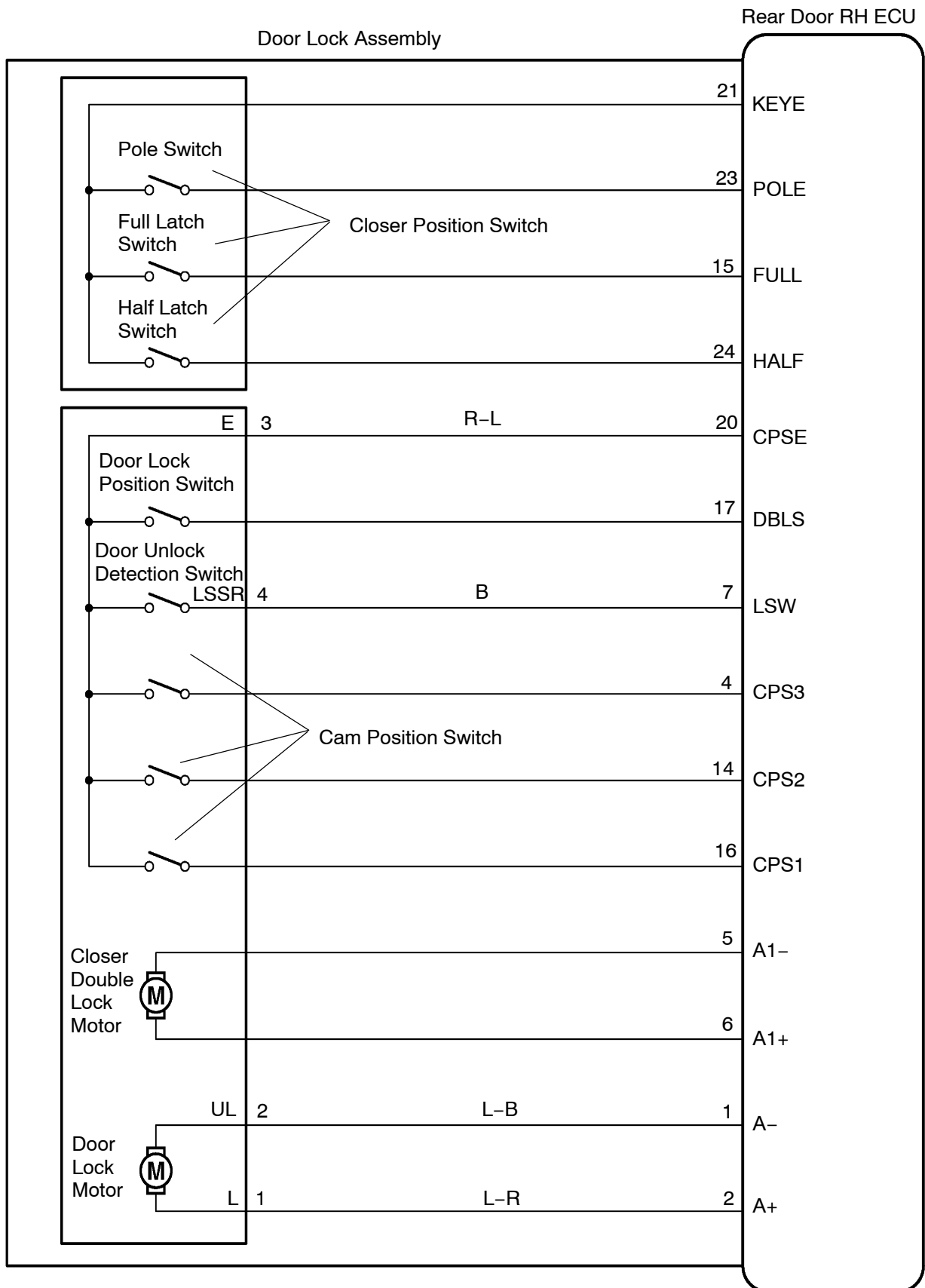
The door unlock detection switch is built in the door lock assembly.

This switch is ON when the door lock knob is in the unlock position and OFF when it is in the lock position. It is used as one of the operating conditions for the key confinement prevention function.

WIRING DIAGRAM



w/ Door Closer System



N

I20168

INSPECTION PROCEDURE

1 Check door unlock detection switch (See page BE-95).

NG

Replace door lock assembly.

OK

2 Check wireharness and connector between door unlock detection switch and rear door RH ECU (See page IN-35).

NG

Repair or replace wireharness or connector.

OK

Proceed to next circuit inspection shown on problem symptoms table (See page DI-1339).