

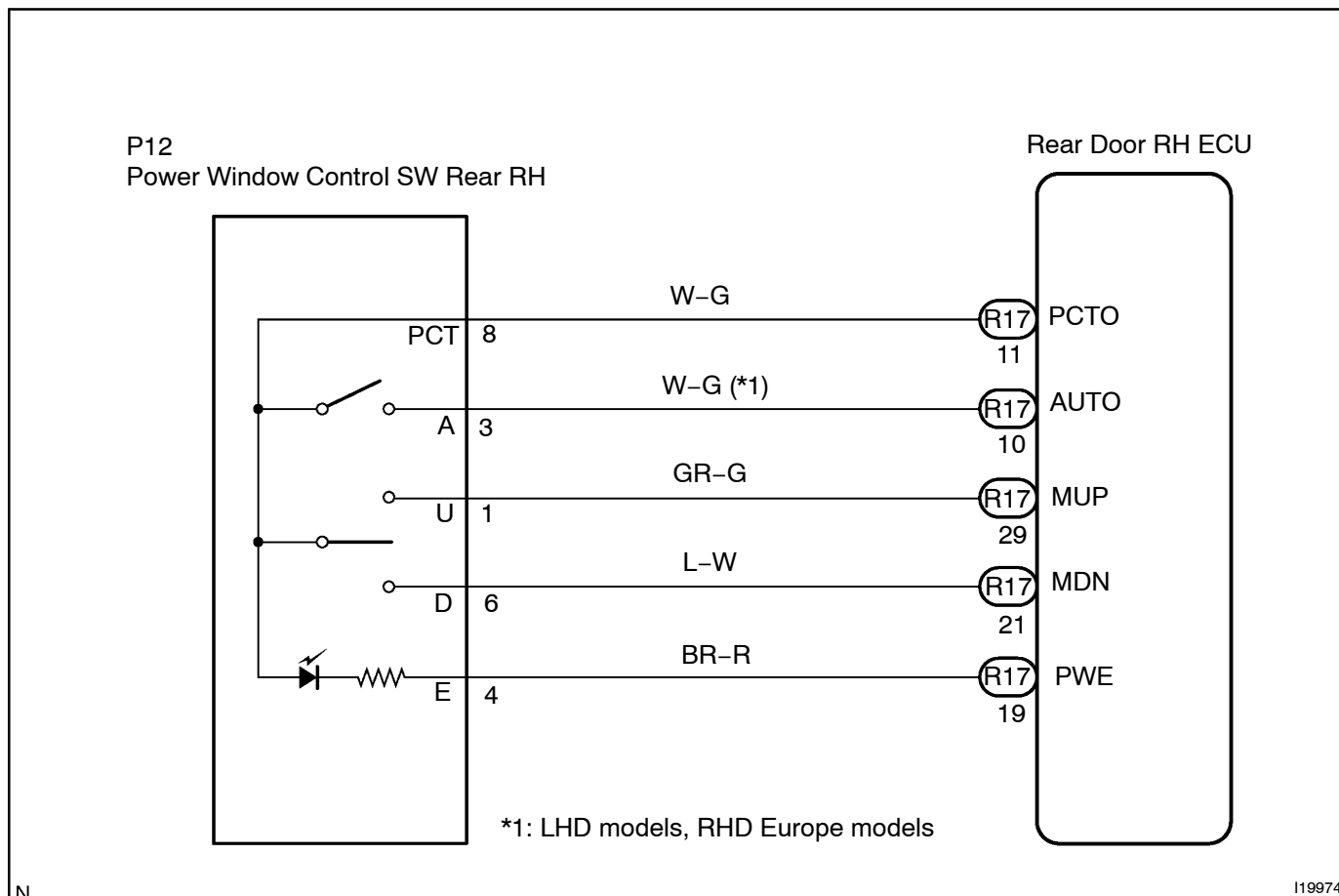
Power Window switch circuit

CIRCUIT DESCRIPTION

Each terminal sends the following information to Rear right door ECU.

Terminal name	Switch name
AUTO, MUP, MDN	Rear right door power window switch

WIRING DIAGRAM



N

I19974

INSPECTION PROCEDURE

1 Check the power window switch circuit using DTC check (See page DI-1396).

OK

Proceed to next circuit inspection shown on problem symptoms table. (See page DI-1395)

NG

2 Check the power window switch (See page BE-85).

NG

Replace the power window switch.

OK

3 Check wire harness and connector between power window switch and rear door RH ECU (See page IN-35).

NG

Repair or replace wire harness or connector.

OK

Proceed to next circuit inspection shown on problem symptoms table (See page DI-1395).