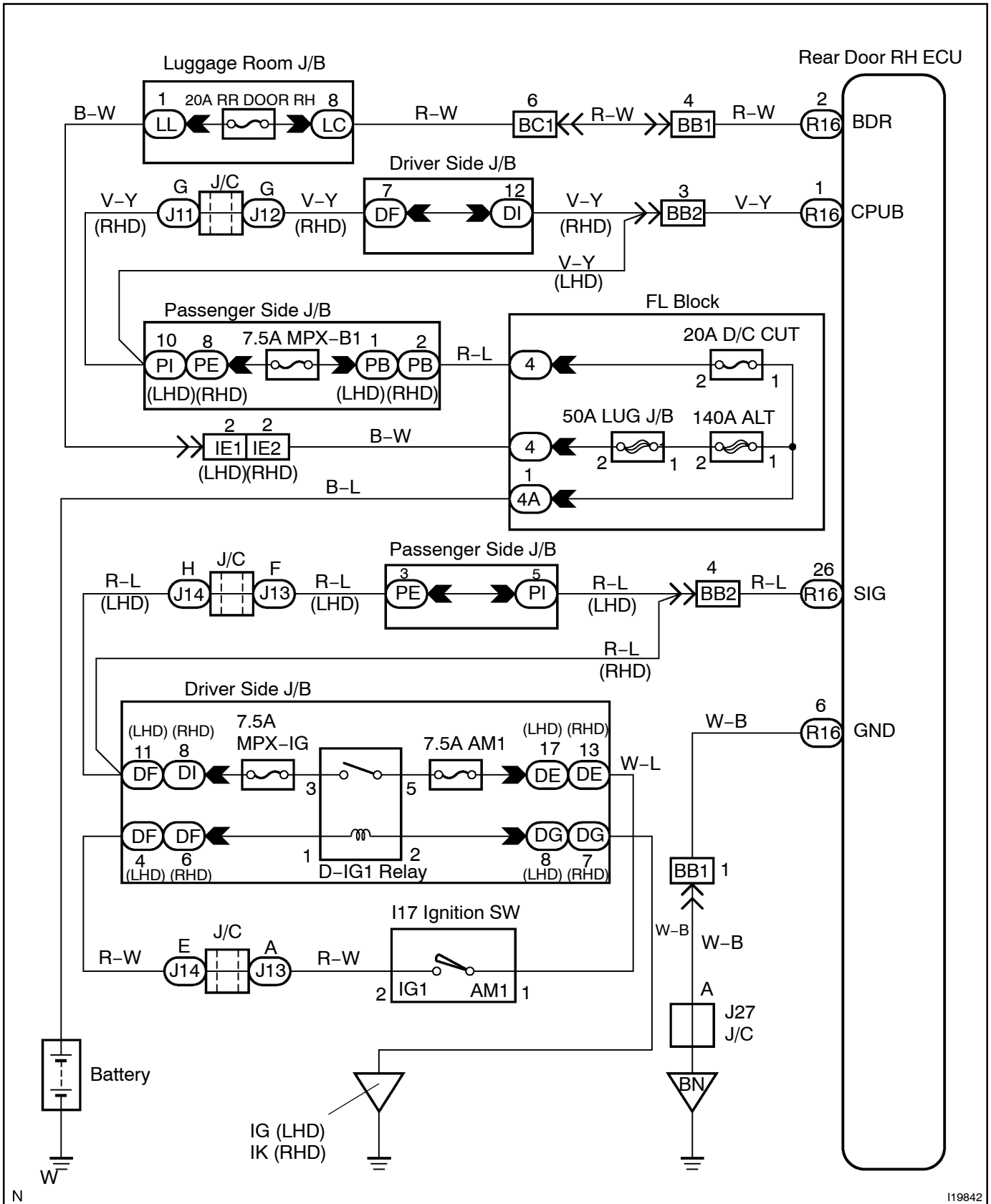


## Power source circuit

### CIRCUIT DESCRIPTION

This circuit supplies power to operate the rear right door ECU.

# WIRING DIAGRAM



## INSPECTION PROCEDURE

1	Check MPX-B1, MPX-IG and RR DOOR RH fuse.
---	---

**CHECK:**

Check continuity of MPX-B1, MPX-IG and RR DOOR RH fuse.

**OK:**

Continuity

NG

Replace defective fuse.

OK

2	Check voltage between terminals BDR, CPUB, SIG and GND of rear right door ECU connector.
---	--

**PREPARATION:**

Turn the ignition switch ON.

**CHECK:**

Measure the voltage between terminals SIG and GND.

**OK:**

Voltage: 10 - 14V

**PREPARATION:**

(a) Turn the ignition switch OFF.

(b) Disconnect the rear door RH ECU connector.

**CHECK:**

Measure the voltage between terminals BDR, CPUB and GND.

**OK:**

Voltage: 10 - 14V

OK

Proceed to next circuit inspection shown on problem symptoms table (See page DI-1339).

NG

3 Check wireharness and connector between ECU and body ground (See page IN-35).

NG

Repair or replace wireharness or connector

OK

Proceed to next circuit inspection shown on problem/symptom table (See page DI-1339).